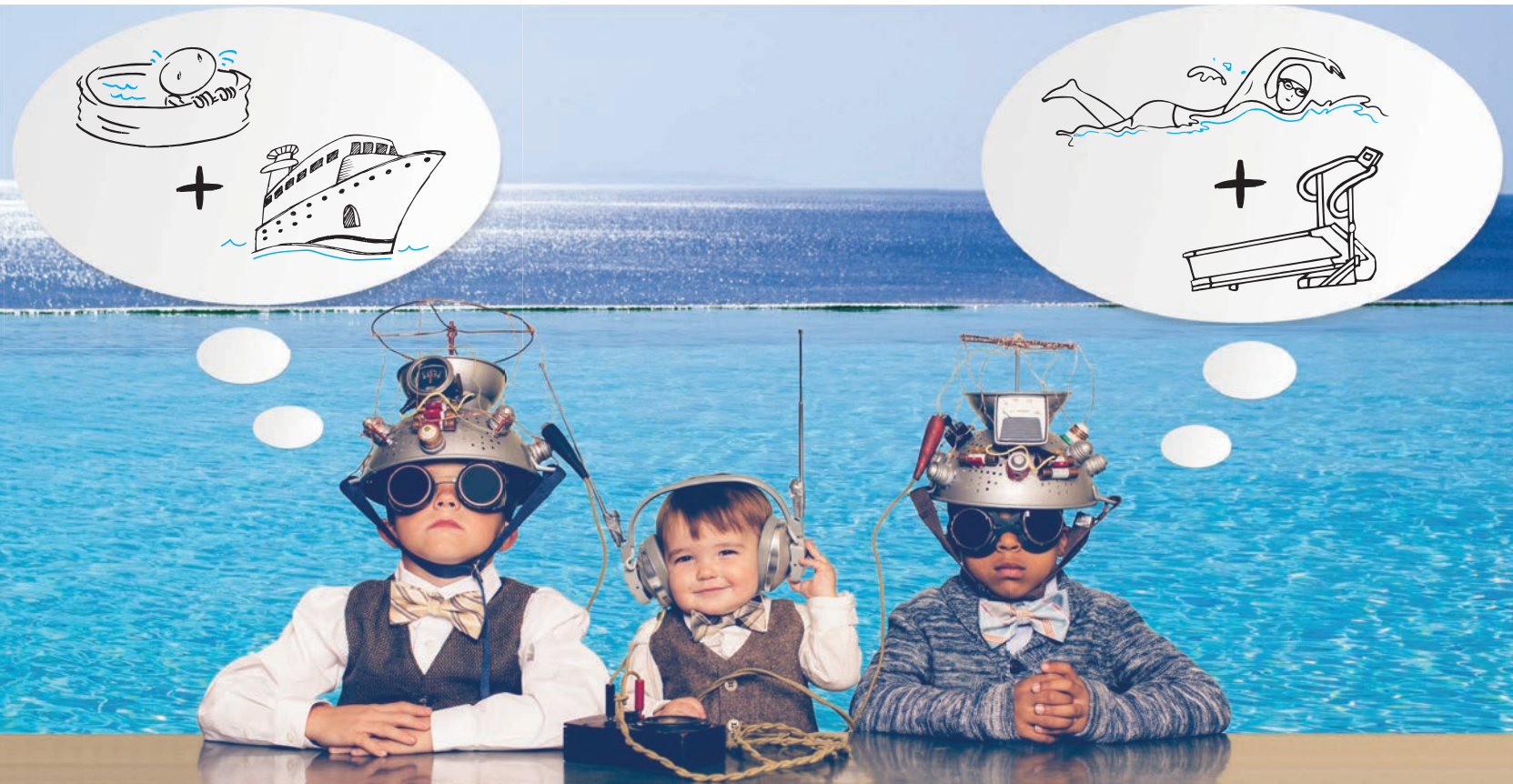


**SPECK X**  
pumps

2018  
catalog



Everything begins with an **idea**

**Innovators**  
for over 100 years.



Affordable German Engineering  
Assembled in the U.S.



*U.S. office and manufacturing center, Jacksonville, Florida*

Speck Pumps is a leading international manufacturer of high-quality pumps for commercial and industrial applications. Since 1909, the Speck Pumps brand has stood for innovative, customized, and market-specific products.

**Speck has a worldwide manufacturing and distribution network** producing specific pump types in dedicated manufacturing locations. We currently have 900 employees, most of them trained in-house, with 40 branch offices and distributors serving customers in 70 countries. This ensures future growth and dominant position in our markets.

**Speck products are made from superior materials and are held to a higher standard.** For these reasons, our customers can depend on Speck products for trouble-free performance and longevity.

We look forward to serving you and providing the best possible pumps for your next project.

# Table of Contents



ProSpeck Advantage Program	4
Featured Products	5
Energy Star Products	7
Swimming Pool Products	29
Special Application Pumps	47
BADU® SwimJet Systems	59
Commercial Products	69
Replacement Parts	89
Important Information	157

*Connect with us:*

[www.speck-pumps.com](http://www.speck-pumps.com)





Partner with Speck Pumps  
and become an authorized  
ProSpeck Dealer ...

*... featuring the  
world's best  
swimjet systems.*



**SIGN UP  
TODAY**

The ProSpeck Advantage Program provides top-tier professionals with the leads, marketing and technical support you need to grow your customer base, as well as maintain current customer satisfaction. By partnering with us you will receive:

- ✓ **Lead generation through Speck websites & social activity**
- ✓ **Rebate Program**
- ✓ **Extended ProSpeck Dealer Warranty**
- ✓ **Access to priority technical service**
- ✓ **POP display for your showroom**
- ✓ **Advertising design services**
- ✓ **ProSpeck exclusive product options**

**SIGN UP TODAY...**

Contact your local Speck Pumps representative. Call **800.223.8538** or visit us at [usa.speck-pumps.com/prospeck-signup](http://usa.speck-pumps.com/prospeck-signup)



Scan this QR Code to  
Sign Up Right Now



# FEATURED PRODUCTS

FOR 2018



## Automated Flow Systems™

Commercial Products



Monitoring and managing commercial flow requirements manually is a thing of the past. Speck Pumps New Automated Flow Systems™ gives customers the ability to “set it and forget it”. We accomplish this by integrating our line of commercial pumps with the finest in Variable Frequency Drives and Flow Meter technology. Each system is designed specifically for your project requirements. We can even pre-program the system before shipping to the job site or your location. With a Speck Pumps Automated Flow System™ on the job you can rest assured that the specific flow requirements are being met regardless of changing system conditions without the need for monitoring and manually adjustment saving time, energy and money.

## 1.1 THP - Dual Voltage Series

Residential Products



New in 2018 are the dual voltage (115-230V) variable speed pumps: The A91, E71 & ES90 variable speed models will extend our line to include an economical 1.1 THP variable speed pump capable of qualifying for all current variable speed rebates. The E71 variable speed is the first of its kind, a variable speed pump specifically designed for the above ground market. Now users of all pump sizes can benefit from the potential energy savings of a variable speed pool pump.

## Nozzle Adjustment Tool

BADU® SwimJet Accessories



It's often the small things that make the a big difference. Speck now offers a the accessory you need to enhance your aquatic workout We have developed the perfect easy to use tool to help set the jet nozzles in position for optimum performance.



# Energy Star Products

A swimming pool pump is the heart of the pool and one of the largest energy users in the home. Speck Pumps energy efficient pool pumps use up to 75% less energy than standard pool pumps saving you hundreds of dollars each year in energy bills! In warmer climates where pools are used year-round, savings can be significantly higher. Also, be sure to check with your local utility, as many utilities are offering hundreds of dollars in incentives for Speck ENERGY STAR certified pool pumps.





# Product Overview



**NEW for 2018**

## **Model A91-II VSP**

In-ground or Above-Ground  
Swimming Pool Pump  
1.1 THP  
Page 9



**NEW for 2018**

## **Model E71-II VHV**

Above-ground  
Swimming Pool Pump  
1.1 THP  
Page 10



**NEW for 2018**

## **Model ES90-II VSP**

In-ground  
Swimming Pool Pump  
1.1 THP  
Page 11



## **BADU® EcoM2**

In-ground  
Swimming Pool Pump  
0.75 - 2.0 HP  
Page 12



## **BADU® EcoM3 V (1.65)**

Above-ground  
Swimming Pool Pump  
1.65 THP  
Page 14



## **BADU® EcoMV**

In-ground  
Swimming Pool Pump  
2.7 THP  
Page 16



## **EasyFit**

In-ground  
Swimming Pool Pump  
1.65 & 2.7 THP  
Page 18



Check our website for a complete list of all Speck Energy Star Products - website: [usa.speck-pumps.com](http://usa.speck-pumps.com) or call 800-223-8538

# Dual Voltage Series (1.1 THP)



Featuring the Model A91, Model ES90, and Model E71



Model ES90-II VSP



Model E71-II VHV



Model A91-II VSP

## HOW THEY WORK

The ES90-II VSP, E71-II VHV, and A91-II VSP family of variable speed swimming pool pumps are both environmentally friendly and cost efficient. These pumps have three (3) adjustable power levels which provide the pool owner a simple three button control, greatly reducing the operating cost at a reasonable investment. The high performance, medium head pumps use a state of the art axial flux permanent magnet brushless-DC motor controlled by advance logic electronics - providing cooler and quieter operation at a fraction of the cost of a standard PSC motor.

The motor operates by keeping the power used by the pump at a constant level selected by the user. This is especially useful at lower speeds because as the filter gets dirty and pressure increases, the pump will automatically pick up a little speed to keep the programmed power level the same. This allows for longer periods of time before the filter needs to be cleaned, and the user knows exactly how much power the pump is using. In addition, the motor automatically detects either 115V or 230V power without the need for rewiring or a voltage switch.

Ideally suited for pools up to 36,000 gallons (24 hour operation), the pumps operate at a maximum system flow of 100 gallons per minute (GPM) at 1000 watts (3500 RPM). The pumps can operate from 50 watts (1000 RPM) to 1000 watts (3500 RPM) in increments of 10 watts. This allows you to select the most appropriate power level for your application. These variable speed pumps are designed to meet the needs of today's more environmentally friendly consumer.

The user interface provides manual power level controls for the pump. There are three fixed power level buttons that can be selected 1, 2, and 3.



New Controller Interface

## Trademarks and Certifications



Qualifies for all current utility rebates



# MODEL A91-II VSP

## Dual Voltage Variable Speed Pool Pump



Model A91-II VSP

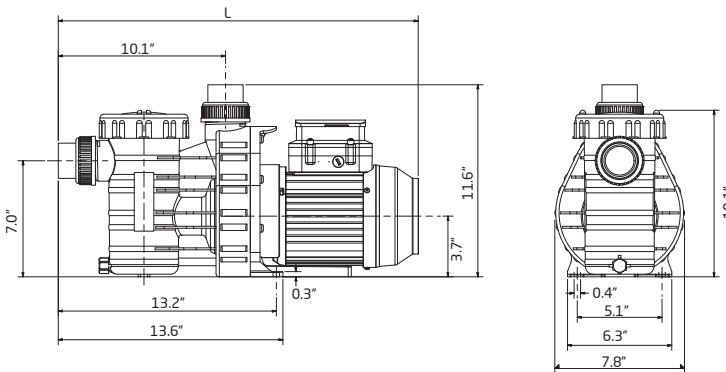
### Features

- This high performance, medium head pump comes complete with an industry standard Carbon/Ceramic 5/8" mechanical seal for convenient replacement.
- Non-corrosive, chemical/UV resistant, and can withstand temperatures of up to 150°F.
- Suction and discharge ports are equipped with quick disconnect unions. Provided with a standard 1.5" slip and 1.5"/ 1.25" hose adaptor connections. *Optional 1.5" NPT connections also available.*
- For pool users' safety, the impeller has a dielectric shaft sleeve that provides absolute separation between pool water and electric parts.
- Specially constructed clear lid with ring lock design is easy to open. Large strainer basket is always locked in place.
- Reusable o-rings throughout.
- The Model A91 comes complete with a full 12 month warranty.
- Every pump is performance tested before leaving the Speck factory.

### Features Specific to the 1.1 THP Dual Voltage Motor

- Pump is equipped with a 1.1 THP (48 frame thru-bolt mount) Variable Speed Motor.
- Pump motor runs on a wide voltage range 100-130/200-250V (without switching).
- Built-In Controller, LED Screen & Keypad can be locked for safety.
- 3 Adjustable Power Levels - Levels can be set to range from 50 Watts/1000 RPM to 1000 Watts/3500 RPM (in increments of 10 Watts).
- Programmable high efficiency TEFC (totally enclosed fan cooled) maintenance free permanent magnet brushless 48 frame motor.

### Dimensional Drawing



MODEL	DIMENSION "L"	SHIPPING WEIGHT
A91-II VS	21.7"	20 lbs.

### Pricing

Order #	Model #	THP	Volts	Motor/Frame	Cord Set	Speed	List Price
AG215-V100T-000	A91-II VSP	1.1	115-230	TEFC/48	no cord	single	\$ 795.00
AG215-V100T-0ST	A91-II VSP	1.1	115-230	TEFC/48	3' standard	single	811.00
AG215-V100T-0TL	A91-II VSP	1.1	115-230	TEFC/48	3' twist-lock	single	811.00

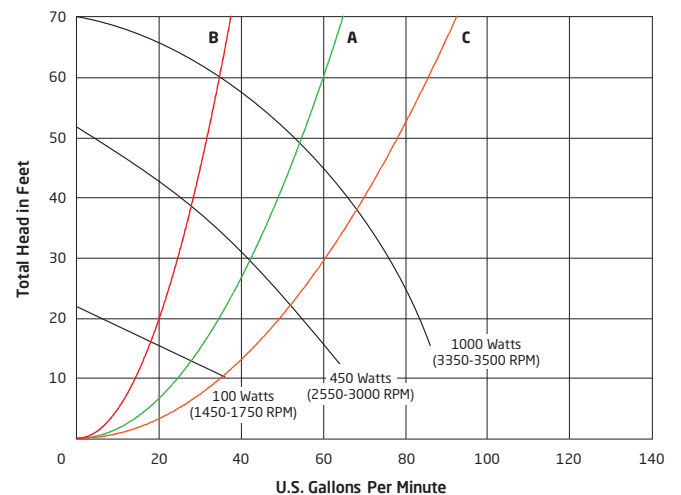
### Trademarks and Certifications



### Applications

- In-ground pools (small to medium)
- Residential pools

### Performance Curves



# MODEL E71-II VHV

## Dual Voltage Variable Speed Pool Pump



Model E71-II VHV

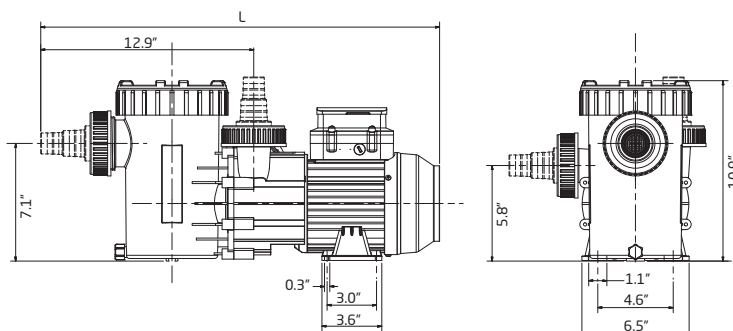
### Features

- This high performance, medium head pump comes complete with an industry standard Carbon/Ceramic 5/8" mechanical seal for convenient replacement.
- Non-corrosive, chemical/UV resistant, and can withstand temperatures of up to 150°F.
- **ALL NEW:** Horizontal/Vertical discharge in one casing.
- Suction and discharge ports are equipped with hose adaptors. (Also available in 1.5" NPT/2" Slip quick disconnect unions)
- For pool users' safety, the impeller has a dielectric shaft sleeve that provides absolute separation between pool water and electric parts.
- Specially constructed clear lid with ring lock design is easy to open. Large strainer basket is always locked in place.
- Reusable o-rings throughout.
- The Model E71 comes complete with a full 12 month warranty.
- Every pump is performance tested before leaving the Speck factory.

### Features Specific to the 1.1 THP Dual Voltage Motor

- Pump is equipped with a 1.1 THP (48 frame thru-bolt mount) Variable Speed Motor.
- Motor runs on a wide voltage range 100-130/200-250V (without switching).
- Built-In Controller, LED Screen & Keypad can be locked for safety.
- 3 Adjustable Power Levels - Levels can be set to range from 50 Watts/1000 RPM to 1000 Watts/3500 RPM (in increments of 10 Watts).
- Programmable high efficiency TEFC (totally enclosed fan cooled) maintenance free permanent magnet brushless 48 frame motor.
- Pump has a standard 3 ft. 3/12 AWG cord set pre-mounted. A variety of other cord sets are available.

### Dimensional Drawing



MODEL	DIMENSION "L"	SHIPPING WEIGHT
E71-II VS	24.2"	24 lbs.

### Pricing

Order #	Model #	THP	Volts	Motor/Frame	Cord Set	Speed	List Price
AG195-V100T-OST	E71-II VHV	1.1	115-230	TEFC/48	3' standard	single	\$ 798.00
AG195-V100T-OTL	E71-II VHV	1.1	115-230	TEFC/48	3' twist-lock	single	798.00

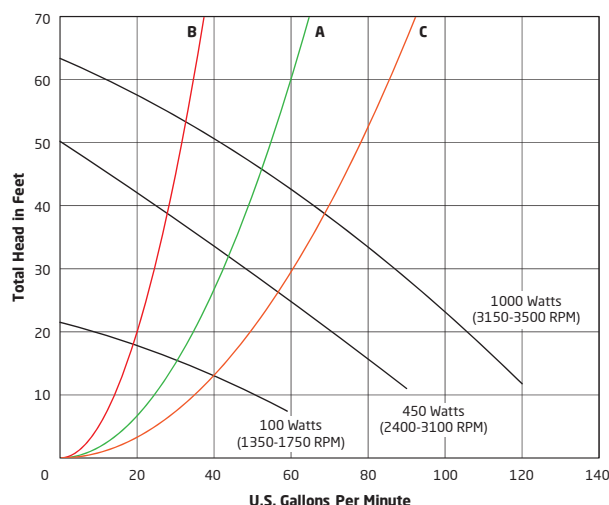
### Trademarks and Certifications



### Applications

- Perfect for above-ground & on-ground pools

### Performance Curves





# MODEL ES90-II VSP

## Dual Voltage Variable Speed Pool Pump



Model ES90-II VSP

### Features

- This high performance, medium head pump comes complete with an industry standard Carbon/Ceramic 5/8" mechanical seal for convenient replacement.
- Non-corrosive, chemical/UV resistant, and can withstand temperatures of up to 150°F.
- Equipped with quick disconnect unions for easy installation and maintenance. Comes standard with 2" suction and 1.5"/2" discharge.
- For pool users' safety, the impeller has a dielectric shaft sleeve that provides absolute separation between pool water and electric parts.
- Lock ring that incorporates handles. These handles provide the user with a convenient way to easily remove the lid.
- Reusable o-rings throughout.
- The Model ES90 comes complete with a full 12 month warranty.
- Every pump is performance tested before leaving the Speck factory.

### Features Specific to the 1.1 THP Dual Voltage Motor

- Pump is equipped with a 1.1 THP (48 frame thru-bolt mount) Variable Speed Motor.
- Motor runs on a wide voltage range 100-130/200-250V (without switching).
- Built-In Controller, LED Screen & Keypad can be locked for safety.
- 3 Adjustable Power Levels - Levels can be set to range from 50 Watts/1000 RPM to 1000 Watts/3500 RPM (in increments of 10 Watts).
- Programmable high efficiency TEFC (totally enclosed fan cooled) maintenance free permanent magnet brushless 48 frame motor.

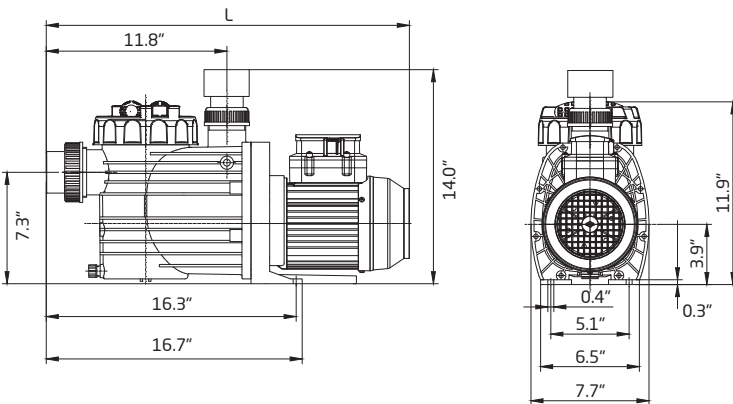
### Trademarks and Certifications



### Applications

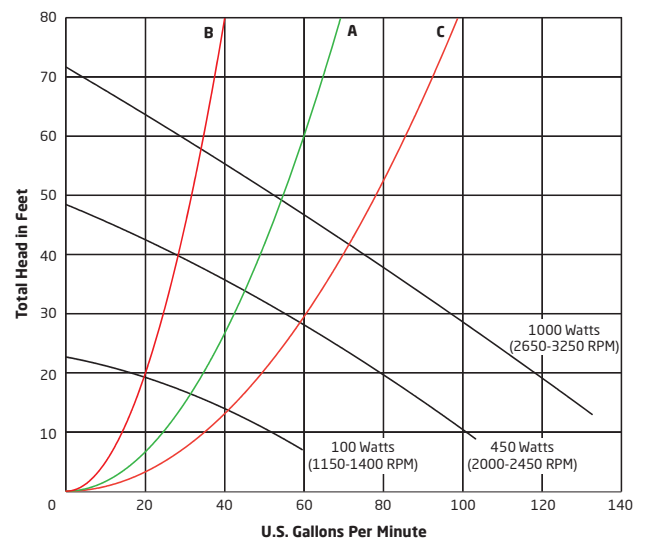
- In-ground pools (small to medium)
- Residential pools

### Dimensional Drawing



MODEL	DIMENSION "L"	SHIPPING WEIGHT
ES90-II VS	23.5"	24 lbs.

### Performance Curves



### Pricing

Order #	Model #	THP	Volts	Motor/Frame	Speed	List Price
IG155-V100T-000	ES90-II VSP	1.1	115-230	TEFC/48	single	\$ 962.00

# BADU<sup>®</sup> EcoM2



## 2-speed Swimming Pool Pump with Digital Timer

### Features

- This high performance, medium head pump comes complete with our unique mechanical shaft seal that allows the pump, if mistreated, to run dry for up to one hour.
- The pump can be used for pool water with a salt concentration of up to 5000 ppm.
- Pump parts are made of 100% recyclable plastic. Non-corrosive, chemical/UV resistant, and can withstand temperatures of up to 175°F.
- All models are equipped with 2" suction and 1.5"/2" discharge unions ensuring optimum efficiency.
- For pool users' safety, the impeller has a dielectric shaft sleeve that provides absolute separation between pool water and electric parts.
- Lock ring that incorporates handles. These handles provide the user with a convenient way to easily remove the lid.
- Large 56 frame pool motor delivers flexibility in motor speed and timer settings.
- Equipped with a built-in timer and an easy to use digital interface.
- Simply program ON/OFF times for Low & High speeds.
- Motor is easy to remove without disturbing the plumbing. Reusable o-rings throughout.
- Two year warranty on the motor and all pump parts, including normal wear of the mechanical seal.
- Every pump is performance tested before leaving the Speck factory.



BADU EcoM2/S90



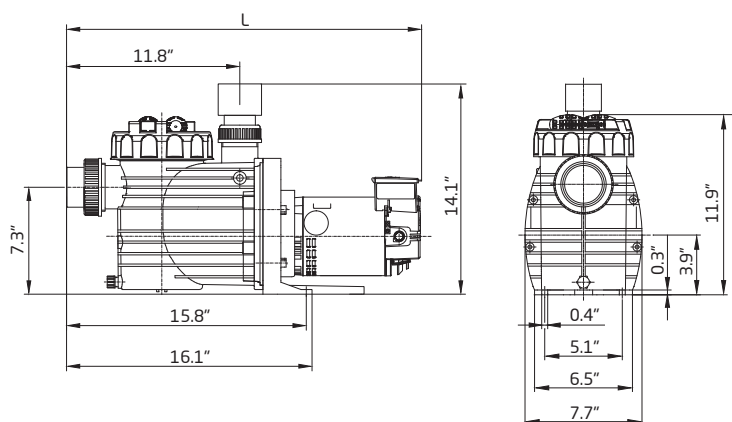
### Trademarks and Certifications



### Applications

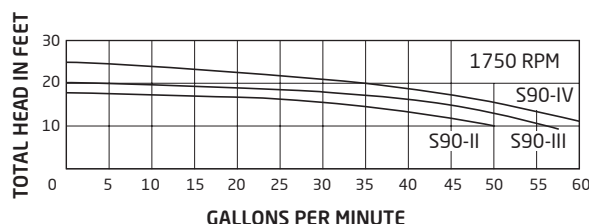
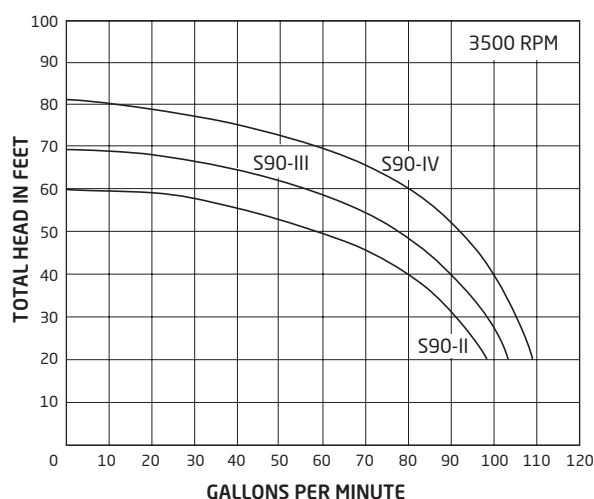
- Residential pools

### Dimensional Drawing



MODEL	DIMENSION "L"	SHIPPING WEIGHT
BADU EcoM2/S90-II	27.25"	44 lbs.
BADU EcoM2/S90-III	27.25"	45 lbs.
BADU EcoM2/S90-IV	27.75"	47 lbs.

### Performance Curves



# BADU<sup>®</sup> EcoM2

## 2-speed Swimming Pool Pump with Digital Timer



### Pricing

#### Premium Energy Efficiency Two Speed with Digital Timer

Order #	Model #	HP	S.F.	THP	Volts	Motor/Frame	Speed	List Price
IG141-2075M-300	BADU EcoM2/S90-II	0.75	1.67	1.25	230	EE*/PSC/56	2-speed	\$1,040.00
IG141-2100M-300	BADU EcoM2/S90-III	1.0	1.65	1.65	230	EE*/PSC/56	2-speed	1,054.00
IG141-2150M-300	BADU EcoM2/S90-IV	1.5	1.47	2.25	230	EE*/PSC/56	2-speed	1,119.00
IG361-2150M-300	BADU EcoM2/72-IV	1.5	1.47	2.25	230	EE*/PSC/56	2-speed	1,173.00
IG361-2200M-300	BADU EcoM2/72-V	2.0	1.30	2.60	230	EE*/PSC/56	2-speed	1,232.00

\*EE = Premium energy efficient motors.

**NOTE:** Model 433 is also available with the BADU EcoM2, please call 1 (800) 223-8538 for pricing.

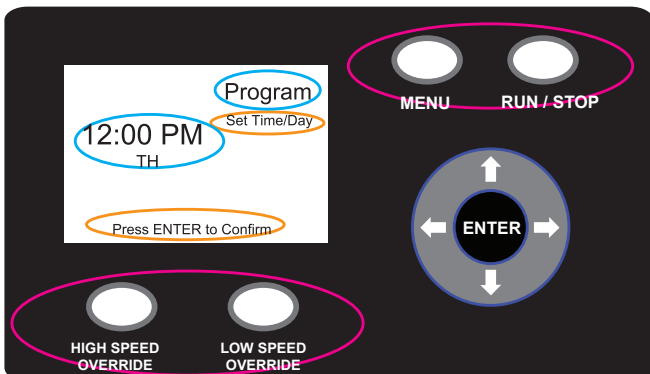


Clear Lid with a built-in LED light for easier viewing of critters and debris in low light conditions.

### Accessories

Order #	Description	List Price
2921116012B	Clear Lid with LED Light	\$ 41.20

### Screen Layout



○ Current System Time & Motor Status

○ User-Defined Settings

○ Data Entry Keys

See page 92-93 for replacement parts



# BADU® EcoM3 V (1.65)



## High Performance, Medium Head Variable Speed Swimming Pool Pump

### Features

- This high performance, medium head pump comes complete with our unique mechanical shaft seal that allows the pump, if mistreated, to run dry for up to one hour.
- The pump can be used for pool water with a salt concentration of up to 5000 ppm.
- Pump parts are made of 100% recyclable plastic. Non-corrosive, chemical/UV resistant, and can withstand temperatures of up to 175°F.
- Suction and discharge are equipped with 2" disconnect unions for easy installation and maintenance.
- 1.65 THP motor comes complete with built-in controller Variable speed control, ranging from 600 to 3450 RPM. The levels can be set in increments of 250.
- Programmable high efficiency TEFC (totally enclosed fan cooled) maintenance-free permanent magnet brushless 56 frame motor with Class F insulation.
- Built-in timer (based on a 24 hour cycle).
- Lock ring that incorporates handles. These handles provide the user with a convenient way to easily remove the lid.
- Digital inputs for compatibility with pool automation systems.
- For pool users' safety, the impeller has a dielectric shaft sleeve that provides absolute separation between pool water and electric parts.
- Optional VLink™ WiFi pump controller allows you to easily monitor and manage your pool pump settings from a mobile device.
- Two year warranty on the motor and all pump parts, including normal wear of the mechanical seal.
- Every pump is performance tested before leaving the Speck factory.



BADU EcoM3 V (1.65)



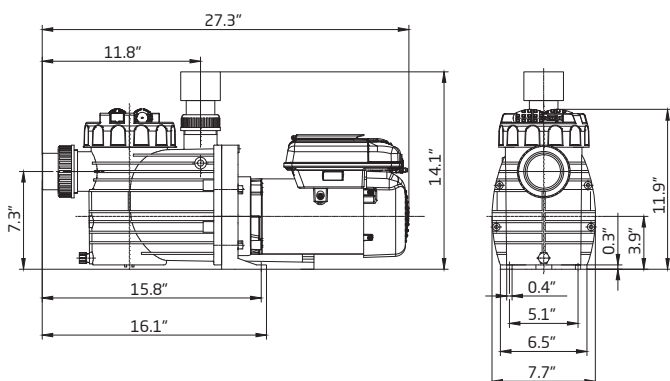
### Trademarks and Certifications



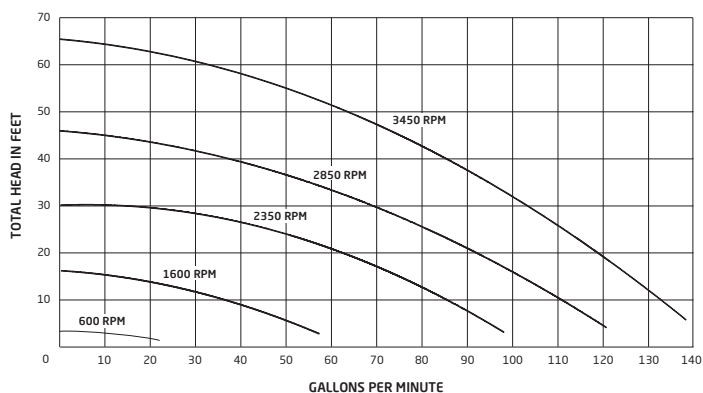
### Applications

- Residential pools

### Dimensional Drawing



### Performance Curves



MODEL	DIMENSION "L"	SHIPPING WEIGHT
BADU EcoM3 V (1.65)	27.3"	55 lbs.

# BADU<sup>®</sup> EcoM3 V (1.65)



High Performance, Medium Head  
Variable Speed Swimming Pool Pump



## Pricing

### Premium Energy Efficiency Variable Speed

Order #	Model #	THP	Volts	Motor/Frame	Speed	List Price
IG135-V165T-000	BADU EcoM3 V 1.65	1.65	208-230	EE*/TEFC/56	Variable speed	\$1,060.00

V-Green™ variable speed motor for maximum energy efficiency

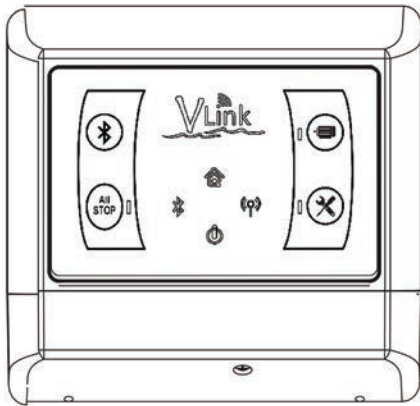


Clear Lid with a built-in LED light for easier viewing of critters and debris in low light conditions.

### Accessories

Order #	Description	List Price
2921116012B	Clear Lid with LED Light	\$ 41.20
2520652001	Black Remote User Interface with Mounting Kit	302.10
74000VL100	VLink™ - WiFi Pump Controller for the 1.65 VS	475.00

## VLink™



VLink™ Adapter



VLink™ Phone App

## VLink™ Features

- The VLink™ from Century Motors allows you to easily monitor and manage energy consumption and optimize your pool pump settings from a mobile device.
- A wireless adapter for use with the following Speck Models:
  - BADU EcoM3 V 1.65 THP
  - BADU EcoMV 2.7 THP
  - EasyFit 1.65 & 2.7 THP
- Cloud connectivity and compatibility.
- Auxiliary control capability.

See page 94-95 for replacement parts

# BADU<sup>®</sup> EcoMV



## High Performance, Medium Head Variable Speed Swimming Pool Pump

### Features

- This high performance, medium head pump comes complete with our unique mechanical shaft seal that allows the pump, if mistreated, to run dry for up to one hour.
- The pump can be used for pool water with a salt concentration of up to 5000 ppm.
- Pump parts are made of 100% recyclable plastic. Non-corrosive, chemical/UV resistant, and can withstand temperatures of up to 175°F.
- Lock ring that incorporates handles. These handles provide the user with a convenient way to easily remove the lid.
- Suction and discharge are equipped with 2" quick disconnect unions for easy installation and maintenance. *(Optional 3" unions available.)*
- For pool users' safety, the impeller has a dielectric shaft sleeve that provides absolute separation between pool water and electric parts.
- 2.7 THP Century<sup>®</sup> V-Green<sup>®</sup> Variable Speed motor with built-in easy to use controller LCD screen. *(Also available with SVRS)*
- RPM levels can be set to range from 600 to 3450. The levels can be set in increments of 25.
- Programmable high efficiency TEFC (totally enclosed fan cooled) maintenance-free permanent magnet brushless 56 frame motor with Class F insulation.
- Freeze protection feature that can be turned ON/OFF or adjusted.
- Programmable auxiliary load feature.
- Adjustable screen contrast feature.
- The controller can be removed and mounted away from the pump using the RS485 cable.
- Optional VLink™ WiFi pump controller allows you to easily monitor and manage your pool pump settings from a mobile device.
- Two year warranty on the motor and all pump parts, including normal wear of the mechanical seal.
- Every pump is performance tested before leaving the Speck factory.



BADU EcoMV/72-V



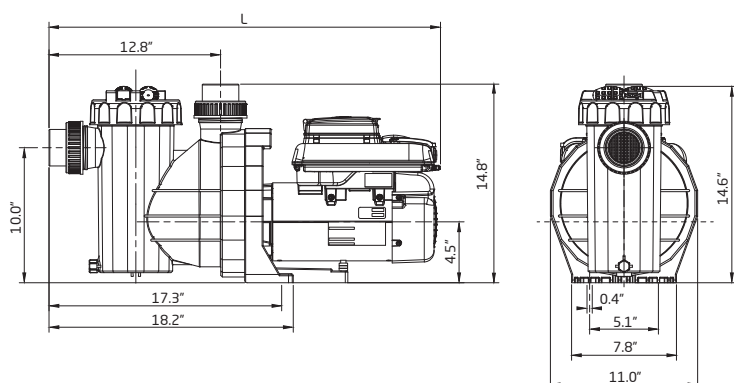
### Trademarks and Certifications



### Applications

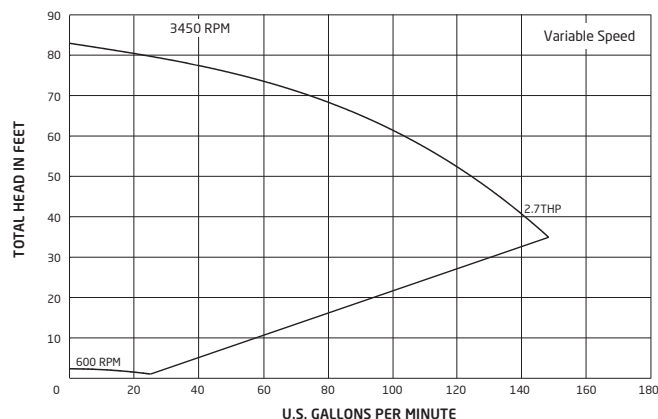
- Large residential pools & spas
- Small commercial pools

### Dimensional Drawing



MODEL	DIMENSION "L"	SHIPPING WEIGHT
BADU EcoMV/72-V	29.1"	55 lbs.

### Performance Curves





# BADU<sup>®</sup> EcoMV

## High Performance, Medium Head Variable Speed Swimming Pool Pump



### Pricing

#### Premium Energy Efficiency Variable Speed

Order #	Model #	THP	Volts	Motor/Frame	Speed	List Price
IG245-V270T-000	BADU EcoMV/72-V	2.7	230	EE*/TEFC/56	Variable speed	\$1,702.00
IG245-V270T-S00	BADU EcoMV/72-V (SVRS)	2.7	230	EE*/TEFC/56	Variable speed	1,850.00

\*EE = Premium energy efficient motor

V-Green™ variable speed motor for maximum energy efficiency

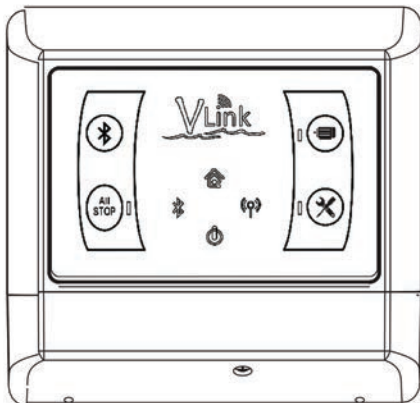


Clear Lid with a built-in LED light for easier viewing of critters and debris in low light conditions.

#### Accessories

Order #	Description	List Price
2921116012B	Clear Lid with LED Light	\$ 41.20
2517501002	Automation Adapter Kit Black 2.7 Motor for 3rd Party Controller	294.00
2514080002	Offboard Mounting Kit for the User Interface for the BADU EcoMV/72-V - 2.7 motor	155.30
74000VL100	VLink™ - WiFi Pump Controller for the 2.7 VS	475.00

### VLink™



VLink™ Adapter



VLink™ Phone App

### VLink™ Features

- The VLink™ from Century Motors allows you to easily monitor and manage energy consumption and optimize your pool pump settings from a mobile device.
- A wireless adapter for use with the following Speck Models:
  - BADU EcoM3 V 1.65 THP
  - BADU EcoMV 2.7 THP
  - EasyFit 1.65 & 2.7 THP
- Cloud connectivity and compatibility.
- Auxiliary control capability.

See page 102-103 for replacement parts

# EasyFit® Series

## High Performance Swimming Pool Pump



**NEW KITS**  
for  
**Pentair® Challenger®**  
& **Hayward® Super II™**



**EasyFit® SUP** - Hayward® Super Pump® & Pentair® SuperFlo®



**EasyFit® PNT** - Pentair® IntelliFlo®

**EasyFit® PNT** - Pentair® WhisperFlo®



**EasyFit® DYN** - STA-RITE® Dyna-Glas™

**EasyFit® MXG** - STA-RITE® Dura-Glas & Max-E-Glas™



See page 18 for a complete list of All EasyFit Replacement Kits.

Hayward® and Super Pump® & Super II™ are trademarks and/or registered trademarks of Hayward Industries, Inc. Pentair®, SuperFlo®, WhisperFlo®, IntelliFlo®, Ultra-Flow®, Challenger®, Sta-Rite®, Dyna-Glas™, Dyna-Max™, Dura-Glas, and Max-E-Glas™ are trademarks and/or registered trademarks of Pentair Water Pool and Spa, Inc. and/or its affiliated companies.

# EasyFit® Series

## High Performance Swimming Pool Pump



### Features

- The EasyFit pump series saves you time & money while making your life simpler. The pump allows a user to replace most major brands of pump without the need to re-plumb.
- This high performance pump comes complete with our unique mechanical shaft seal that allows the pump, if mistreated, to run dry for up to one hour.
- The pump can be used for pool water with a salt concentration of up to 5000 ppm.
- Pump parts are made of 100% recyclable plastic. Non-corrosive, chemical/UV resistant, and can withstand temperatures of up to 175°F.
- Fittings & Risers to accommodate the following models (Hayward®, Pentair®, American Products®, and STA-RITE®).
- The EasyFit is available with the following motors:
  - Single or Two-Speed (0.75 to 3.5 HP)
  - Variable Speed (1.65 & 2.7 THP)
- Lock ring that incorporates handles. These handles provide the user with a convenient way to easily remove the lid.
- Suction and discharge are equipped with quick disconnect unions for easy installation and maintenance.
- For pool users' safety, the impeller has a dielectric shaft sleeve that provides absolute separation between pool water and electric parts.
- Two year warranty on the motor and all pump parts, including normal wear of the mechanical seal.
- Every pump is performance tested before leaving the Speck factory.

### Features Specific to the EasyFit (1.65 THP)

- 1.65 THP motor comes complete with built-in controller Variable speed control, ranging from 600 to 3450 RPM. Levels can be set in increments of 250.
- Programmable high efficiency TEFC (totally enclosed fan cooled) maintenance-free permanent magnet brushless 56 frame motor with Class F insulation.
- Built-in timer (based on a 24 hour cycle).
- Digital inputs for compatibility with pool automation systems.
- **Remote Controller:** Optional VLink™

### Features Specific to the EasyFit (2.7 THP)

- 2.7 THP Century® V-Green® Variable Speed motor with built-in easy to use controller LCD screen. (Also available with SVRS)
- RPM levels can be set to range from 600 to 3450. Levels can be set in increments of 25.
- Programmable high efficiency TEFC maintenance-free permanent magnet brushless 56 frame motor with Class F insulation.
- Freeze protection feature that can be turned ON/OFF or adjusted.
- Programmable auxiliary load feature.
- Adjustable screen contrast feature.
- The controller can be removed and mounted away from the pump using the RS485 cable.



EasyFit SPK



### Trademarks and Certifications



Select EasyFit models are ENERGY STAR certified

### Applications

- In-ground pools (small to large)
- Residential pools



VLink™ Phone App

### VLink™ Features

- The VLink™ from Century Motors allows you to easily monitor and manage energy consumption and optimize your pool pump settings from a mobile device.
- A wireless adapter for use with the following Speck Models:
  - EasyFit 1.65 & 2.7 THP
- Cloud connectivity and compatibility.
- Auxiliary control capability.

Hayward® and Super Pump® & Super II™ are trademarks and/or registered trademarks of Hayward Industries, Inc. Pentair®, SuperFlo®, WhisperFlo®, IntelliFlo®, Ultra-Flow®, Challenger®, Sta-Rite®, Dyna-Glas™, Dyna-Max™, Dura-Glas, and Max-E-Glas™ are trademarks and/or registered trademarks of Pentair Water Pool and Spa, Inc. and/or its affiliated companies.



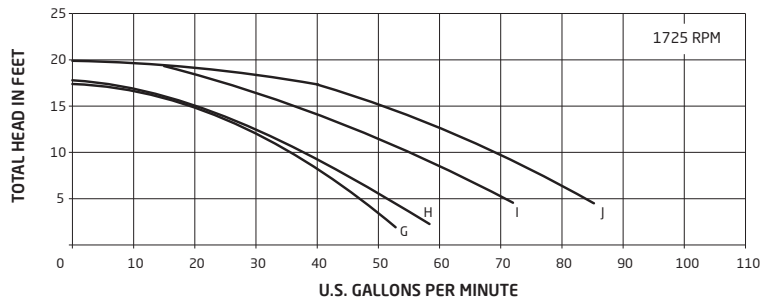
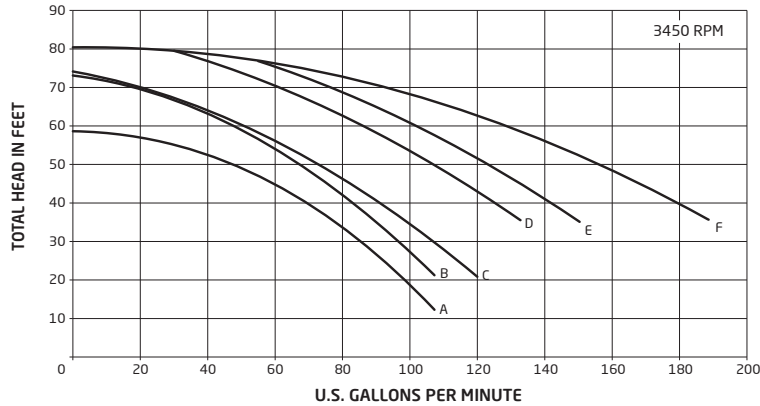
# EasyFit® Series

## High Performance Swimming Pool Pump



### Performance Curves

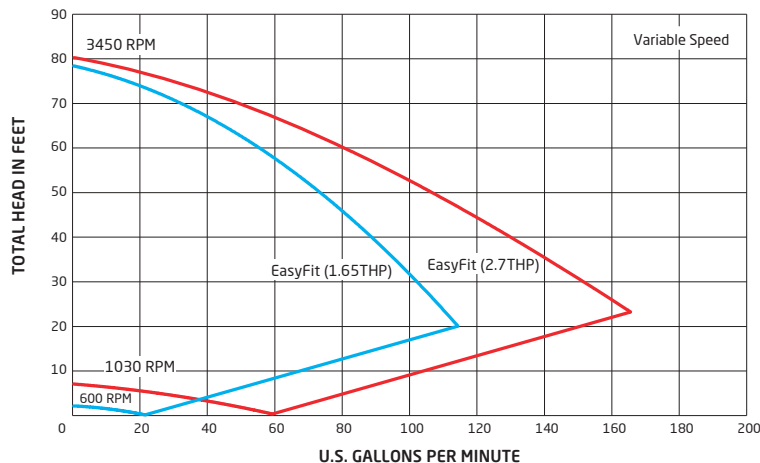
#### EasyFit (Single & Two Speed)



Model	Nominal HP	Service Factor	Total HP	Voltage	S.F. Amps	Curve Key
EasyFit-I	0.75	1.25	0.98	230/115	5.4/10.8	A
EasyFit-II	1.0	1.25	1.25	230/115	7.0/14.0	B
EasyFit-III	1.5	1.1	1.65	230/115	7.7/15.4	C
EasyFit-IV	2.0	1.1	2.25	230/115	10.8/21.6	D
EasyFit-V	2.0	1.3	2.6	208-230	10.6-10.0	E
EasyFit-VI	3.0	1.2	3.6	208-230	15.2-14.0	F

Low Speed						
Model	Nominal HP	Service Factor	Total HP	Voltage	S.F. Amps	Curve Key
EasyFit-II	0.75 - 0.10	1.67	1.25 - 0.17	115	14.5/5.3	G
EasyFit-II	0.75 - 0.10	1.67	1.25 - 0.17	230	5.8/1.2	G
EasyFit-III	1.0 - 0.12	1.65	1.65 - 0.20	230	7.4/1.4	H
EasyFit-IV	1.5 - 0.20	1.47	2.25 - 0.30	230	9.2/2.1	I
EasyFit-V	2.0 - 0.25	1.30	2.60 - 0.33	230	10.6/2.4	J

#### EasyFit (Variable Speeds)



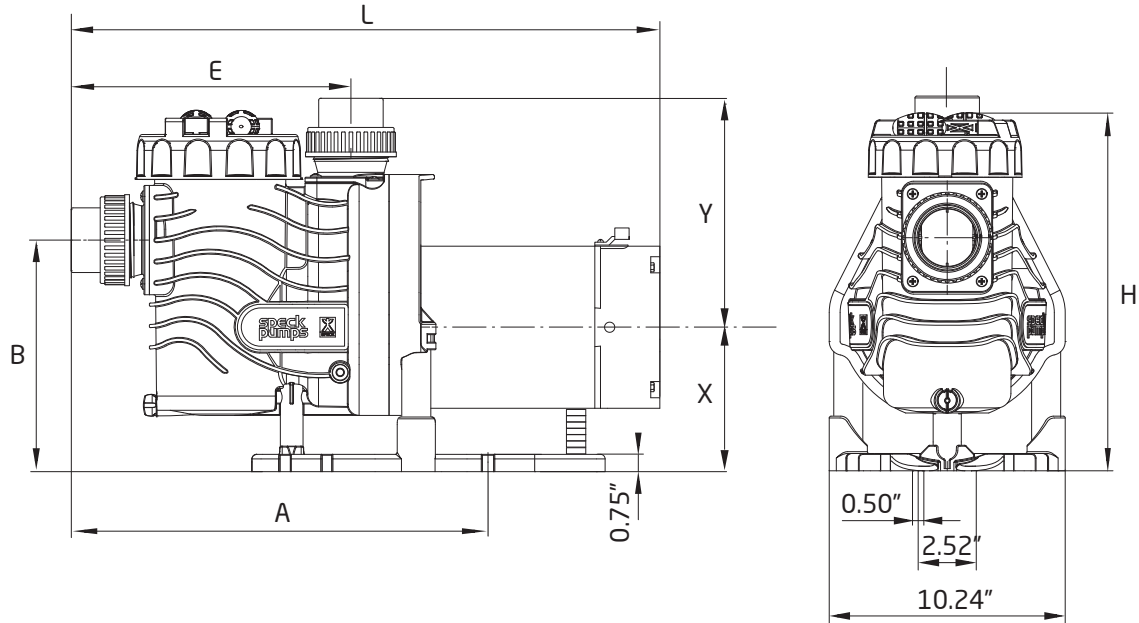
Hayward® and Super Pump® & Super II™ are trademarks and/or registered trademarks of Hayward Industries, Inc. Pentair®, SuperFlo®, WhisperFlo®, IntelliFlo®, Ultra-Flow®, Challenger®, Sta-Rite®, Dyna-Glas™, Dyna-Max™, Dura-Glas, and Max-E-Glas™ are trademarks and/or registered trademarks of Pentair Water Pool and Spa, Inc. and/or its affiliated companies.

# EasyFit® Series

## High Performance Swimming Pool Pump



### Dimensional Drawings



EasyFit Version*	Suction & Discharge Connection	A	B	E	X	Y	H	L**
SPECK	2" or 3" Speck Union	18.01"	9.17"	12.13"	5.30"	9.88"	14.75"	24.37" - 28.17"
1	1-1/2" or 2" NPT	17.11"	9.41"	10.87"	6.28"	6.71"	15.50"	23.38" - 27.18"
2	2" NPT	16.28"	9.17"	10.00"	5.30"	6.71"	14.75"	22.56" - 26.36"
3	1-1/2" or 2" NPT	15.57"	7.75"	9.33"	3.92"	6.71"	13.50"	21.85" - 25.65"
4	1-1/2" NPT	15.01"	10.75"	8.86"	6.52"	6.71"	16.00"	21.79" - 25.59"
5	2" NPT	15.01"	10.75"	8.86"	6.52"	6.71"	16.00"	21.79" - 25.59"
6	2" NPT (also compatible with STA-RITE Unions)	16.46"	9.94"	10.34"	5.41"	12.41"	14.75"	22.74" - 26.54"
7	2" NPT	16.28"	10.04"	10.00"	6.28"	6.71"	15.50"	22.56" - 26.36"
8	1-1/2" or 2" NPT	15.57"	8.52"	8.52"	4.68"	6.71"	14.27"	21.85" - 25.65"

\*\* NOTE: Overall length (L) varies based on motor type (HP rating, three phase, single phase, single speed, two-speed, or variable speed)

#### Versions:

- 1 - Pentair® Ultra Flow®
- 2 - Pentair® WhisperFlo® / IntelliFlo®
- 3 - Hayward® Super Pump® & Pentair® SuperFlo®
- 4 - STA-RITE® Dura-Glas® & Max-E-Glas™
- 5 - STA-RITE® Dura-Glas II® & Max-E-Glas II™
- 6 - STA-RITE® Dyna-Glas™ & Dyna-Max™
- 7 - Pentair® Challenger®
- 8 - Hayward® Super II™

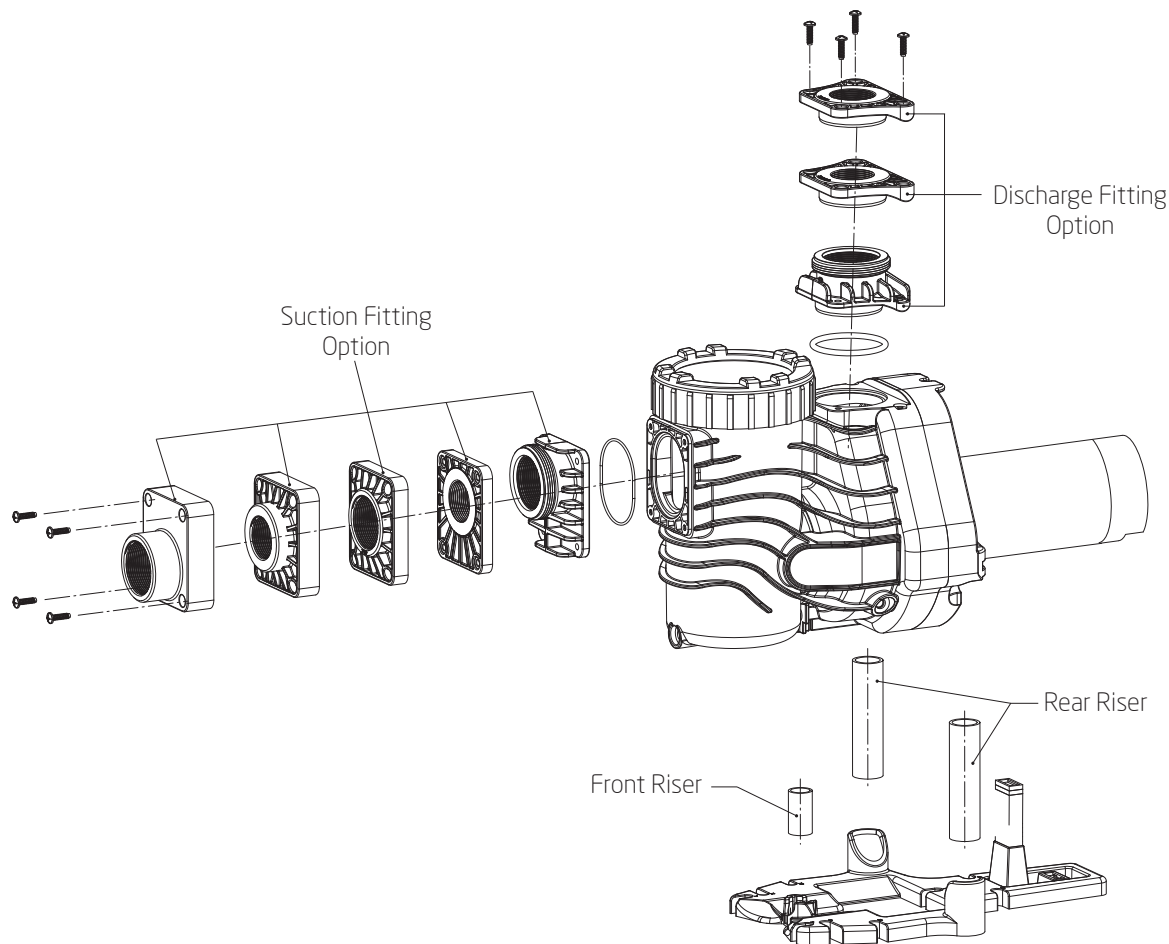
Hayward® and Super Pump® & Super II™ are trademarks and/or registered trademarks of Hayward Industries, Inc. Pentair®, SuperFlo®, WhisperFlo®, IntelliFlo®, Ultra-Flow®, Challenger®, Sta-Rite®, Dyna-Glas™, Dyna-Max™, Dura-Glas®, and Max-E-Glas™ are trademarks and/or registered trademarks of Pentair Water Pool and Spa, Inc. and/or its affiliated companies.

# EasyFit® Series

## High Performance Swimming Pool Pump



### Replacement Kits



### Replacement Kits

Order #	Description	List Price
2901410001A	Pentair® <b>Ultra-Flow</b> ® Replacement Kit (2" Fittings & Risers)	\$ 22.20
2901410001B	Pentair® <b>Ultra-Flow</b> ® Replacement Kit (1.5" Fittings & Risers)	22.20
2901410002A	Pentair® <b>WhisperFlo</b> ® & <b>IntelliFlo</b> ® Replacement Kit (2" Fittings)	22.20
2901410002B	Pentair® <b>WhisperFlo</b> ® & <b>IntelliFlo</b> ® Replacement Kit (1.5" Fittings)	22.20
2901410003A	Hayward® <b>Super Pump</b> ® & Pentair® <b>SuperFlo</b> ® Replacement Kit (2" Fittings & Risers)	22.20
2901410003B	Hayward® <b>Super Pump</b> ® & Pentair® <b>SuperFlo</b> ® Replacement Kit (1.5" Fittings & Risers)	22.20
2901410004A	STA-RITE® <b>Dura-Glas</b> & <b>Max-E-Glas</b> ™ Replacement Kit (2" Fittings & Risers)	22.20
2901410004B	STA-RITE® <b>Dura-Glas</b> & <b>Max-E-Glas</b> ™ Replacement Kit (1.5" Fittings & Risers)	22.20
2901410006A	STA-RITE® <b>Dyna-Glas</b> ™ & <b>Dyna-Max</b> ™ Replacement Kit (2" Fittings)	22.20
2901410007A	Pentair® <b>Challenger</b> ® Replacement Kit (2" Fittings & Risers)	22.20
2901410007B	Pentair® <b>Challenger</b> ® Replacement Kit (1.5" Fittings & Risers)	22.20
2901410008A	Hayward® <b>Super II</b> ™ Pump Replacement Kit (2" Fittings & Risers)	22.20
2901410008B	Hayward® <b>Super II</b> ™ Pump Replacement Kit (1.5" Fittings & Risers)	22.20

Hayward® and Super Pump® & Super II™ are trademarks and/or registered trademarks of Hayward Industries, Inc. Pentair®, SuperFlo®, WhisperFlo®, IntelliFlo®, Ultra-Flow®, Challenger®, Sta-Rite®, Dyna-Glas™, Dyna-Max™, Dura-Glas, and Max-E-Glas™ are trademarks and/or registered trademarks of Pentair Water Pool and Spa, Inc. and/or its affiliated companies.

# EasyFit® SPK (SPECK Standard)

## High Performance Swimming Pool Pump



### Pricing

#### Standard Efficiency Single Speed Max Rated

Order #	Model #	HP	S.F.	THP	Volts	Motor/Frame	Speed	List Price
IG281-1075M-000	EasyFit-I	0.75	1.25	0.98	115/230	PSC/56	single	\$ 567.00
IG281-1100M-000	EasyFit-II	1.0	1.25	1.25	115/230	PSC/56	single	611.00
IG281-1150M-000	EasyFit-III	1.5	1.10	1.65	115/230	PSC/56	single	657.00
IG281-1200M-000	EasyFit-IV	2.0	1.10	2.25	115/230	PSC/56	single	752.00

#### Premium Energy Efficient Single Speed

Order #	Model #	HP	S.F.	THP	Volts	Motor/Frame	Speed	List Price
IG284-1075M-000	EasyFit-I	0.5	1.95	0.98	115/208-230	EE*/56	single	\$ 657.00
IG284-1100M-000	EasyFit-II	0.75	1.67	1.25	115/208-230	EE*/56	single	752.00
IG284-1150M-000	EasyFit-III	1.0	1.65	1.65	115/208-230	EE*/56	single	822.00
IG284-1200M-000	EasyFit-IV	1.5	1.50	2.25	115/208-230	EE*/56	single	880.00
IG284-1250M-000	EasyFit-V	2.0	1.30	2.60	208-230	EE*/56	single	1,057.00
IG284-1350M-000	EasyFit-VI	3.0	1.15	3.45	208-230	EE*/56	single	1,116.00

#### Premium Energy Efficient Two Speed

Order #	Model #	HP	S.F.	THP	Volts	Motor/Frame	Speed	List Price
IG281-2100M-000	EasyFit-II	0.75	1.67	1.25	115	EE*/56	2-speed	\$ 811.00
IG289-2100M-000	EasyFit-II	0.75	1.67	1.25	230	EE*/PSC/56	2-speed	811.00
IG281-2150M-000	EasyFit-III	1.0	1.65	1.65	230	EE*/PSC/56	2-speed	869.00
IG281-2200M-000	EasyFit-IV	1.5	1.47	2.25	230	EE*/PSC/56	2-speed	928.00
IG281-2250M-000	EasyFit-V	2.0	1.30	2.60	230	EE*/PSC/56	2-speed	1,057.00

All 2-speed motors are available with HI/OFF/LO toggle switch.

#### Premium Energy Efficient Two Speed with Digital Timer

Order #	Model #	HP	S.F.	THP	Volts	Motor/Frame	Speed	List Price
IG294-2100M-000	EasyFit-II	0.75	1.67	1.25	230	EE*/PSC/56	2-speed	\$ 996.00
IG294-2150M-000	EasyFit-III	1.0	1.65	1.65	230	EE*/PSC/56	2-speed	1,010.00
IG294-2200M-000	EasyFit-IV	1.5	1.47	2.25	230	EE*/PSC/56	2-speed	1,057.00
IG294-2250M-000	EasyFit-V	2.0	1.30	2.60	230	EE*/PSC/56	2-speed	1,092.00

#### Premium Energy Efficient Variable Speed - Energy Star

Order #	Model #	THP	Volts	Motor/Frame	Speed	List Price
IG315-V165T-000	EasyFit-III	1.65	208-230	EE*/TEFC/56	Variable speed	\$1,223.00
IG315-V270T-000	EasyFit-V (2.7)	2.7	230	EE*/TEFC/56	Variable speed	1,702.00
IG315-V270T-S00	EasyFit-V (2.7) SVRS	2.7	230	EE*/TEFC/56	Variable speed	1,850.00

V-Green™ variable speed motor for maximum energy efficiency

#### Three Phase

Order #	Model #	HP	S.F.	THP	Volts	Motor/Frame	Speed	List Price
IG283-1050F-000	EasyFit-I	0.5	1.60	0.8	208-230/460	3 phase/56	single	\$ 799.00
IG283-1075F-000	EasyFit-II	0.75	1.50	1.125	208-230/460	3 phase/56	single	892.00
IG283-1100F-000	EasyFit-III	1.0	1.40	1.40	208-230/460	3 phase/56	single	940.00
IG283-1150F-000	EasyFit-IV	1.5	1.30	1.95	208-230/460	3 phase/56	single	1,116.00
IG283-1200F-000	EasyFit-V	2.0	1.20	2.40	208-230/460	3 phase/56	single	1,174.00
IG283-1300F-000	EasyFit-VI	3.0	1.15	3.45	208-230/460	3 phase/56	single	1,409.00

Three phase units are not UL Listed and requires a motor starter.

\*EE = Premium energy efficient motors.

See page 96-99 for replacement parts

Hayward® and Super Pump® & Super II™ are trademarks and/or registered trademarks of Hayward Industries, Inc. Pentair®, SuperFlo®, WhisperFlo®, IntelliFlo®, Ultra-Flow®, Challenger®, Sta-Rite®, Dyna-Glas™, Dyna-Max™, Dura-Glas, and Max-E-Glas™ are trademarks and/or registered trademarks of Pentair Water Pool and Spa, Inc. and/or its affiliated companies.



# EasyFit® DYN (STA-RITE® Dyna-Glas™)



## Universal Replacement Swimming Pool Pump for STA-RITE® Dyna-Glas™

### Pricing

#### Standard Efficiency Single Speed Max Rated

Order #	Model #	HP	S.F.	THP	Volts	Motor/Frame	Speed	List Price
IG281-1075M-ODY	EasyFit-I	0.75	1.25	0.98	115/230	PSC/56	single	\$ 567.00
IG281-1100M-ODY	EasyFit-II	1.0	1.25	1.25	115/230	PSC/56	single	611.00
IG281-1150M-ODY	EasyFit-III	1.5	1.10	1.65	115/230	PSC/56	single	657.00
IG281-1200M-ODY	EasyFit-IV	2.0	1.10	2.25	115/230	PSC/56	single	752.00

#### Premium Energy Efficient Single Speed

Order #	Model #	HP	S.F.	THP	Volts	Motor/Frame	Speed	List Price
IG284-1075M-ODY	EasyFit-I	0.5	1.95	0.98	115/208-230	EE*/56	single	\$ 657.00
IG284-1100M-ODY	EasyFit-II	0.75	1.67	1.25	115/208-230	EE*/56	single	752.00
IG284-1150M-ODY	EasyFit-III	1.0	1.65	1.65	115/208-230	EE*/56	single	822.00
IG284-1200M-ODY	EasyFit-IV	1.5	1.50	2.25	115/208-230	EE*/56	single	880.00
IG284-1250M-ODY	EasyFit-V	2.0	1.30	2.60	208-230	EE*/56	single	1,057.00
IG284-1350M-ODY	EasyFit-VI	3.0	1.15	3.45	208-230	EE*/56	single	1,116.00

#### Premium Energy Efficient Two Speed

Order #	Model #	HP	S.F.	THP	Volts	Motor/Frame	Speed	List Price
IG281-2100M-ODY	EasyFit-II	0.75	1.67	1.25	115	EE*/56	2-speed	\$ 811.00
IG289-2100M-ODY	EasyFit-II	0.75	1.67	1.25	230	EE*/PSC/56	2-speed	811.00
IG281-2150M-ODY	EasyFit-III	1.0	1.65	1.65	230	EE*/PSC/56	2-speed	869.00
IG281-2200M-ODY	EasyFit-IV	1.5	1.47	2.25	230	EE*/PSC/56	2-speed	928.00
IG281-2250M-ODY	EasyFit-V	2.0	1.30	2.60	230	EE*/PSC/56	2-speed	1,057.00

All 2-speed motors are available with HI/OFF/LO toggle switch.

#### Premium Energy Efficient Two Speed with Digital Timer

Order #	Model #	HP	S.F.	THP	Volts	Motor/Frame	Speed	List Price
IG294-2100M-ODY	EasyFit-II	0.75	1.67	1.25	230	EE*/PSC/56	2-speed	\$ 996.00
IG294-2150M-ODY	EasyFit-III	1.0	1.65	1.65	230	EE*/PSC/56	2-speed	1,010.00
IG294-2200M-ODY	EasyFit-IV	1.5	1.47	2.25	230	EE*/PSC/56	2-speed	1,057.00
IG294-2250M-ODY	EasyFit-V	2.0	1.30	2.60	230	EE*/PSC/56	2-speed	1,092.00

#### Premium Energy Efficient Variable Speed - Energy Star

Order #	Model #	HP	S.F.	THP	Volts	Motor/Frame	Speed	List Price
IG315-V165T-ODY	EasyFit-III			1.65	208-230	EE*/TEFC/56		\$1,223.00
IG315-V270T-ODY	EasyFit-V (2.7)			2.7	230	EE*/TEFC/56		1,702.00
IG315-V270T-SDY	EasyFit-V (2.7) SVRS			2.7	230	EE*/TEFC/56		1,850.00

V-Green™ variable speed motor for maximum energy efficiency

#### Three Phase

Order #	Model #	HP	S.F.	THP	Volts	Motor/Frame	Speed	List Price
IG283-1050F-ODY	EasyFit-I	0.5	1.60	0.8	208-230/460	3 phase/56	single	\$ 799.00
IG283-1075F-ODY	EasyFit-II	0.75	1.50	1.125	208-230/460	3 phase/56	single	892.00
IG283-1100F-ODY	EasyFit-III	1.0	1.40	1.40	208-230/460	3 phase/56	single	940.00
IG283-1150F-ODY	EasyFit-IV	1.5	1.30	1.95	208-230/460	3 phase/56	single	1,116.00
IG283-1200F-ODY	EasyFit-V	2.0	1.20	2.40	208-230/460	3 phase/56	single	1,174.00
IG283-1300F-ODY	EasyFit-VI	3.0	1.15	3.45	208-230/460	3 phase/56	single	1,409.00

Three phase units are not UL Listed and requires a motor starter.

\*EE = Premium energy efficient motors.

See page 96-99 for replacement parts

Hayward® and Super Pump® & Super II™ are trademarks and/or registered trademarks of Hayward Industries, Inc.

Pentair®, SuperFlo®, WhisperFlo®, IntelliFlo®, Ultra-Flow®, Challenger®, Sta-Rite®, Dyna-Glas™, Dyna-Max™, Dura-Glas, and Max-E-Glas™ are trademarks and/or registered trademarks of Pentair Water Pool and Spa, Inc. and/or its affiliated companies.

# EasyFit® MXG (STA-RITE® Dura-Glas™ & Max-E-Glas™)



## Universal Replacement Swimming Pool Pump for STA-RITE® Dura-Glas & Max-E-Glas™

### Pricing

#### Standard Efficiency Single Speed Max Rated

Order #	Model #	HP	S.F.	THP	Volts	Motor/Frame	Speed	List Price
IG281-1075M-ODG	EasyFit-I	0.75	1.25	0.98	115/230	PSC/56	single	\$ 567.00
IG281-1100M-ODG	EasyFit-II	1.0	1.25	1.25	115/230	PSC/56	single	611.00
IG281-1150M-ODG	EasyFit-III	1.5	1.10	1.65	115/230	PSC/56	single	657.00
IG281-1200M-ODG	EasyFit-IV	2.0	1.10	2.25	115/230	PSC/56	single	752.00

#### Premium Energy Efficient Single Speed

Order #	Model #	HP	S.F.	THP	Volts	Motor/Frame	Speed	List Price
IG284-1075M-ODG	EasyFit-I	0.5	1.95	0.98	115/208-230	EE*/56	single	\$ 657.00
IG284-1100M-ODG	EasyFit-II	0.75	1.67	1.25	115/208-230	EE*/56	single	752.00
IG284-1150M-ODG	EasyFit-III	1.0	1.65	1.65	115/208-230	EE*/56	single	822.00
IG284-1200M-ODG	EasyFit-IV	1.5	1.50	2.25	115/208-230	EE*/56	single	880.00
IG284-1250M-ODG	EasyFit-V	2.0	1.30	2.60	208-230	EE*/56	single	1,057.00
IG284-1350M-ODG	EasyFit-VI	3.0	1.15	3.45	208-230	EE*/56	single	1,116.00

#### Premium Energy Efficient Two Speed

Order #	Model #	HP	S.F.	THP	Volts	Motor/Frame	Speed	List Price
IG281-2100M-ODG	EasyFit-II	0.75	1.67	1.25	115	EE*/56	2-speed	\$ 811.00
IG289-2100M-ODG	EasyFit-II	0.75	1.67	1.25	230	EE*/PSC/56	2-speed	811.00
IG281-2150M-ODG	EasyFit-III	1.0	1.65	1.65	230	EE*/PSC/56	2-speed	869.00
IG281-2200M-ODG	EasyFit-IV	1.5	1.47	2.25	230	EE*/PSC/56	2-speed	928.00
IG281-2250M-ODG	EasyFit-V	2.0	1.30	2.60	230	EE*/PSC/56	2-speed	1,057.00

All 2-speed motors are available with HI/OFF/LO toggle switch.

#### Premium Energy Efficient Two Speed with Digital Timer

Order #	Model #	HP	S.F.	THP	Volts	Motor/Frame	Speed	List Price
IG294-2100M-ODG	EasyFit-II	0.75	1.67	1.25	230	EE*/PSC/56	2-speed	\$ 996.00
IG294-2150M-ODG	EasyFit-III	1.0	1.65	1.65	230	EE*/PSC/56	2-speed	1,010.00
IG294-2200M-ODG	EasyFit-IV	1.5	1.47	2.25	230	EE*/PSC/56	2-speed	1,057.00
IG294-2250M-ODG	EasyFit-V	2.0	1.30	2.60	230	EE*/PSC/56	2-speed	1,092.00

#### Premium Energy Efficient Variable Speed - Energy Star

Order #	Model #	THP	Volts	Motor/Frame	Speed	List Price
IG315-V165T-ODG	EasyFit-III	1.65	208-230	EE*/TEFC/56	Variable speed	\$1,223.00
IG315-V270T-ODG	EasyFit-V (2.7)	2.7	230	EE*/TEFC/56	Variable speed	1,702.00
IG315-V270T-SDG	EasyFit-V (2.7) SVRS	2.7	230	EE*/TEFC/56	Variable speed	1,850.00

V-Green™ variable speed motor for maximum energy efficiency

#### Three Phase

Order #	Model #	HP	S.F.	THP	Volts	Motor/Frame	Speed	List Price
IG283-1050F-ODG	EasyFit-I	0.5	1.60	0.8	208-230/460	3 phase/56	single	\$ 799.00
IG283-1075F-ODG	EasyFit-II	0.75	1.50	1.125	208-230/460	3 phase/56	single	892.00
IG283-1100F-ODG	EasyFit-III	1.0	1.40	1.40	208-230/460	3 phase/56	single	940.00
IG283-1150F-ODG	EasyFit-IV	1.5	1.30	1.95	208-230/460	3 phase/56	single	1,116.00
IG283-1200F-ODG	EasyFit-V	2.0	1.20	2.40	208-230/460	3 phase/56	single	1,174.00
IG283-1300F-ODG	EasyFit-VI	3.0	1.15	3.45	208-230/460	3 phase/56	single	1,409.00

Three phase units are not UL Listed and requires a motor starter.

\*EE = Premium energy efficient motors.

See page 96-99 for replacement parts

Hayward® and Super Pump® & Super II™ are trademarks and/or registered trademarks of Hayward Industries, Inc. Pentair®, SuperFlo®, WhisperFlo®, IntelliFlo®, Ultra-Flow®, Challenger®, Sta-Rite®, Dyna-Glas™, Dyna-Max™, Dura-Glas, and Max-E-Glas™ are trademarks and/or registered trademarks of Pentair Water Pool and Spa, Inc. and/or its affiliated companies.

# EasyFit® PNT (Pentair® WhisperFlo® & IntelliFlo®)



## Universal Replacement Swimming Pool Pump for Pentair® WhisperFlo® & IntelliFlo®

### Pricing

#### Standard Efficiency Single Speed Max Rated

Order #	Model #	HP	S.F.	THP	Volts	Motor/Frame	Speed	List Price
IG281-1075M-OWF	EasyFit-I	0.75	1.25	0.98	115/230	PSC/56	single	\$ 567.00
IG281-1100M-OWF	EasyFit-II	1.0	1.25	1.25	115/230	PSC/56	single	611.00
IG281-1150M-OWF	EasyFit-III	1.5	1.10	1.65	115/230	PSC/56	single	657.00
IG281-1200M-OWF	EasyFit-IV	2.0	1.10	2.25	115/230	PSC/56	single	752.00

#### Premium Energy Efficient Single Speed

Order #	Model #	HP	S.F.	THP	Volts	Motor/Frame	Speed	List Price
IG284-1075M-OWF	EasyFit-I	0.5	1.95	0.98	115/208-230	EE*/56	single	\$ 657.00
IG284-1100M-OWF	EasyFit-II	0.75	1.67	1.25	115/208-230	EE*/56	single	752.00
IG284-1150M-OWF	EasyFit-III	1.0	1.65	1.65	115/208-230	EE*/56	single	822.00
IG284-1200M-OWF	EasyFit-IV	1.5	1.50	2.25	115/208-230	EE*/56	single	880.00
IG284-1250M-OWF	EasyFit-V	2.0	1.30	2.60	208-230	EE*/56	single	1,057.00
IG284-1350M-OWF	EasyFit-VI	3.0	1.15	3.45	208-230	EE*/56	single	1,116.00

#### Premium Energy Efficient Two Speed

Order #	Model #	HP	S.F.	THP	Volts	Motor/Frame	Speed	List Price
IG281-2100M-OWF	EasyFit-II	0.75	1.67	1.25	115	EE*/56	2-speed	\$ 811.00
IG289-2100M-OWF	EasyFit-II	0.75	1.67	1.25	230	EE*/PSC/56	2-speed	811.00
IG281-2150M-OWF	EasyFit-III	1.0	1.65	1.65	230	EE*/PSC/56	2-speed	869.00
IG281-2200M-OWF	EasyFit-IV	1.5	1.47	2.25	230	EE*/PSC/56	2-speed	928.00
IG281-2250M-OWF	EasyFit-V	2.0	1.30	2.60	230	EE*/PSC/56	2-speed	1,057.00

All 2-speed motors are available with HI/OFF/LO toggle switch.

#### Premium Energy Efficient Two Speed with Digital Timer

Order #	Model #	HP	S.F.	THP	Volts	Motor/Frame	Speed	List Price
IG294-2100M-OWF	EasyFit-II	0.75	1.67	1.25	230	EE*/PSC/56	2-speed	\$ 996.00
IG294-2150M-OWF	EasyFit-III	1.0	1.65	1.65	230	EE*/PSC/56	2-speed	1,010.00
IG294-2200M-OWF	EasyFit-IV	1.5	1.47	2.25	230	EE*/PSC/56	2-speed	1,057.00
IG294-2250M-OWF	EasyFit-V	2.0	1.30	2.60	230	EE*/PSC/56	2-speed	1,092.00

#### Premium Energy Efficient Variable Speed - Energy Star

Order #	Model #	THP	Volts	Motor/Frame	Speed	List Price
IG315-V165T-OWF	EasyFit-III	1.65	208-230		Variable speed	\$1,223.00
IG315-V270T-OWF	EasyFit-V (2.7)	2.7	230		Variable speed	1,702.00
IG315-V270T-SWF	EasyFit-V (2.7) SVRS	2.7	230		Variable speed	1,850.00

V-Green™ variable speed motor for maximum energy efficiency

#### Three Phase

Order #	Model #	HP	S.F.	THP	Volts	Motor/Frame	Speed	List Price
IG283-1050F-OWF	EasyFit-I	0.5	1.60	0.8	208-230/460	3 phase/56	single	\$ 799.00
IG283-1075F-OWF	EasyFit-II	0.75	1.50	1.125	208-230/460	3 phase/56	single	892.00
IG283-1100F-OWF	EasyFit-III	1.0	1.40	1.40	208-230/460	3 phase/56	single	940.00
IG283-1150F-OWF	EasyFit-IV	1.5	1.30	1.95	208-230/460	3 phase/56	single	1,116.00
IG283-1200F-OWF	EasyFit-V	2.0	1.20	2.40	208-230/460	3 phase/56	single	1,174.00
IG283-1300F-OWF	EasyFit-VI	3.0	1.15	3.45	208-230/460	3 phase/56	single	1,409.00

Three phase units are not UL Listed and requires a motor starter.

\*EE = Premium energy efficient motors.

See page 96-99 for replacement parts

Hayward® and Super Pump® & Super II™ are trademarks and/or registered trademarks of Hayward Industries, Inc.

Pentair®, SuperFlo®, WhisperFlo®, IntelliFlo®, Ultra-Flow®, Challenger®, Sta-Rite®, Dyna-Glas™, Dyna-Max™, Dura-Glas, and Max-E-Glas™ are trademarks and/or registered trademarks of Pentair Water Pool and Spa, Inc. and/or its affiliated companies.

# EasyFit® SUP (Pentair® SuperFlo® & Hayward® Super Pump®)



## Universal Replacement Swimming Pool Pump for Hayward® Super Pump® & Pentair® SuperFlo®

### Pricing

#### Standard Efficiency Single Speed Max Rated

Order #	Model #	HP	S.F.	THP	Volts	Motor/Frame	Speed	List Price
IG281-1075M-OSP	EasyFit-I	0.75	1.25	0.98	115/230	PSC/56	single	\$ 567.00
IG281-1100M-OSP	EasyFit-II	1.0	1.25	1.25	115/230	PSC/56	single	611.00
IG281-1150M-OSP	EasyFit-III	1.5	1.10	1.65	115/230	PSC/56	single	657.00
IG281-1200M-OSP	EasyFit-IV	2.0	1.10	2.25	115/230	PSC/56	single	752.00

#### Premium Energy Efficient Single Speed

Order #	Model #	HP	S.F.	THP	Volts	Motor/Frame	Speed	List Price
IG284-1075M-OSP	EasyFit-I	0.5	1.95	0.98	115/208-230	EE*/56	single	\$ 657.00
IG284-1100M-OSP	EasyFit-II	0.75	1.67	1.25	115/208-230	EE*/56	single	752.00
IG284-1150M-OSP	EasyFit-III	1.0	1.65	1.65	115/208-230	EE*/56	single	822.00
IG284-1200M-OSP	EasyFit-IV	1.5	1.50	2.25	115/208-230	EE*/56	single	880.00
IG284-1250M-OSP	EasyFit-V	2.0	1.30	2.60	208-230	EE*/56	single	1,057.00
IG284-1350M-OSP	EasyFit-VI	3.0	1.15	3.45	208-230	EE*/56	single	1,116.00

#### Premium Energy Efficient Two Speed

Order #	Model #	HP	S.F.	THP	Volts	Motor/Frame	Speed	List Price
IG281-2100M-OSP	EasyFit-II	0.75	1.67	1.25	115	EE*/56	2-speed	\$ 811.00
IG289-2100M-OSP	EasyFit-II	0.75	1.67	1.25	230	EE*/PSC/56	2-speed	811.00
IG281-2150M-OSP	EasyFit-III	1.0	1.65	1.65	230	EE*/PSC/56	2-speed	869.00
IG281-2200M-OSP	EasyFit-IV	1.5	1.47	2.25	230	EE*/PSC/56	2-speed	928.00
IG281-2250M-OSP	EasyFit-V	2.0	1.30	2.60	230	EE*/PSC/56	2-speed	1,057.00

All 2-speed motors are available with HI/OFF/LO toggle switch.

#### Premium Energy Efficient Two Speed with Digital Timer

Order #	Model #	HP	S.F.	THP	Volts	Motor/Frame	Speed	List Price
IG294-2100M-OSP	EasyFit-II	0.75	1.67	1.25	230	EE*/PSC/56	2-speed	\$ 996.00
IG294-2150M-OSP	EasyFit-III	1.0	1.65	1.65	230	EE*/PSC/56	2-speed	1,010.00
IG294-2200M-OSP	EasyFit-IV	1.5	1.47	2.25	230	EE*/PSC/56	2-speed	1,057.00
IG294-2250M-OSP	EasyFit-V	2.0	1.30	2.60	230	EE*/PSC/56	2-speed	1,092.00

#### Premium Energy Efficient Variable Speed - Energy Star

Order #	Model #	THP	Volts	Motor/Frame	Speed	List Price
IG315-V165T-OSP	EasyFit-III	1.65	208-230	EE*/TEFC/56	Variable speed	\$1,223.00
IG315-V270T-OSP	EasyFit-V (2.7)	2.7	230	EE*/TEFC/56	Variable speed	1,702.00
IG315-V270T-SSP	EasyFit-V (2.7) SVRS	2.7	230	EE*/TEFC/56	Variable speed	1,850.00

V-Green™ variable speed motor for maximum energy efficiency

#### Three Phase

Order #	Model #	HP	S.F.	THP	Volts	Motor/Frame	Speed	List Price
IG283-1050F-OSP	EasyFit-I	0.5	1.60	0.8	208-230/460	3 phase/56	single	\$ 799.00
IG283-1075F-OSP	EasyFit-II	0.75	1.50	1.125	208-230/460	3 phase/56	single	892.00
IG283-1100F-OSP	EasyFit-III	1.0	1.40	1.40	208-230/460	3 phase/56	single	940.00
IG283-1150F-OSP	EasyFit-IV	1.5	1.30	1.95	208-230/460	3 phase/56	single	1,116.00
IG283-1200F-OSP	EasyFit-V	2.0	1.20	2.40	208-230/460	3 phase/56	single	1,174.00
IG283-1300F-OSP	EasyFit-VI	3.0	1.15	3.45	208-230/460	3 phase/56	single	1,409.00

Three phase units are not UL Listed and requires a motor starter.

\*EE = Premium energy efficient motors.

See page 96-99 for replacement parts

Hayward® and Super Pump® & Super II™ are trademarks and/or registered trademarks of Hayward Industries, Inc. Pentair®, SuperFlo®, WhisperFlo®, IntelliFlo®, Ultra-Flow®, Challenger®, Sta-Rite®, Dyna-Glas™, Dyna-Max™, Dura-Glas, and Max-E-Glas™ are trademarks and/or registered trademarks of Pentair Water Pool and Spa, Inc. and/or its affiliated companies.





# Swimming Pool Products

Speck delivers high quality pool equipment you need for your next installation. We offer a complete line of swimming pool pumps & filters for all above-ground and in-ground pool.

# Product Overview



---

**Model S90**  
(56 frame) In-Ground  
Swimming Pool Pump  
0.75 - 2.0 THP  
Page 30



---

**EasyFit® Series**  
In-Ground  
Swimming Pool Pump  
0.75 - 3.45 THP  
Page 12



---

**Model 433**  
In-Ground  
Swimming Pool Pump  
0.75 - 3.45 THP  
Page 32



---

**Model 72**  
In-Ground  
Swimming Pool Pump  
2.0 - 3.45 THP  
Page 34



---

**Model ES90**  
(48 frame) In-Ground  
Swimming Pool Pump  
0.75 - 2.0 THP  
Page 36



---

**Model A91**  
In-Ground or Above-Ground  
Swimming Pool Pump  
0.75 & 1.0 THP (1.0 & 1.5 SPL)  
Page 38



---

**NEW for 2018**  
**Model E71 VH**  
Above-ground  
Swimming Pool Pump  
0.75 - 1.5 THP (1.0 - 2.0 SPL)  
Page 40



---

**Sand Filters**  
Swimming Pool Product  
16", 19", 24", & 31"  
Page 42



---

**Cartridge Filters**  
Swimming Pool Product  
30, 60, 90, 120, 150, and  
180 sq. ft.  
Page 44

Check our website for a complete list of all Speck Products - website: [usa.speck-pumps.com](http://usa.speck-pumps.com) or call 800-223-8538

# MODEL S90



## High Performance, Medium Head Swimming Pool Pump

### Features

- This high performance, medium head pump comes complete with our unique mechanical shaft seal that allows the pump, if mistreated, to run dry for up to one hour.
- The pump can be used for pool water with a salt concentration of up to 5000 ppm.
- Pump parts are made of 100% recyclable plastic. Non-corrosive, chemical/UV resistant, and can withstand temperatures of up to 175°F.
- All models are equipped with quick disconnect unions for easy installation and maintenance.
- For pool users' safety, the impeller has a dielectric shaft sleeve that provides absolute separation between pool water and electric parts.
- Lock ring that incorporates handles. These handles provide the user with a convenient way to easily remove the lid.
- Heavy duty "1081" pool motor with large 56 frame motor is thermally protected, has a PSC switchless design and extra large sealed ball bearings.
- Available with E-plus®/extreme-E™ energy efficient motors for extra low energy consumption.
- Motor is easy to remove without disturbing the plumbing. Reusable o-rings throughout.
- Two year warranty on the motor and all pump parts, including normal wear of the mechanical seal.
- Every pump is performance tested before leaving the Speck factory.



Model S90-II



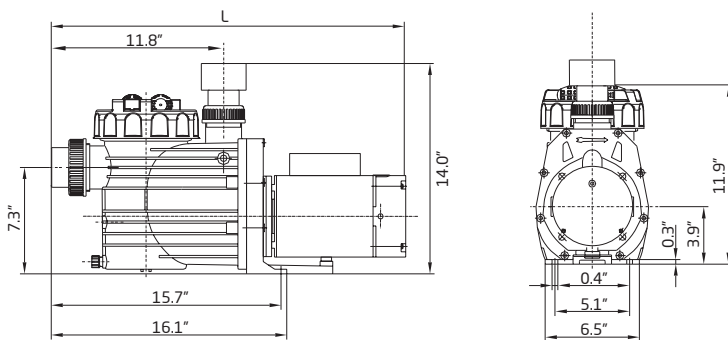
### Trademarks and Certifications



### Applications

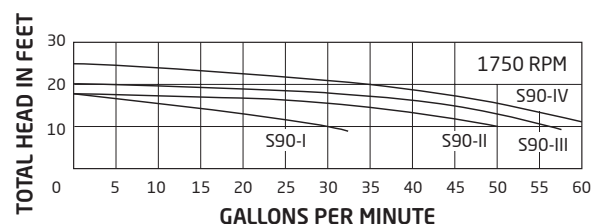
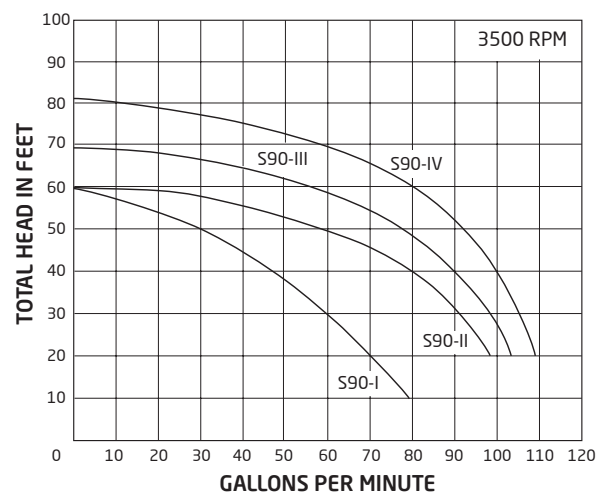
- In-ground pools
- Residential and small commercial pools

### Dimensional Drawing



MODEL	DIMENSION "L"	SHIPPING WEIGHT
S90-I	25.0"	34 lbs.
S90-II	25.0"	35 lbs.
S90-III	25.8"	37 lbs.
S90-IV	26.5"	44 lbs.

### Performance Curves



# MODEL S90



## High Performance, Medium Head Swimming Pool Pump



### Pricing

#### Standard Efficiency Single Speed (Max Rated)

Order #	Model #	HP	S.F.	THP	Volts	Motor/Frame	Speed	List Price
IG121-1075M-000	S90-I	0.75	1.25	0.98	115/230	PSC/56	single	\$ 539.00
IG121-1100M-000	S90-II	1.0	1.25	1.25	115/230	PSC/56	single	581.00
IG121-1150M-000	S90-III	1.5	1.10	1.65	115/230	PSC/56	single	634.00
IG121-1200M-000	S90-IV	2.0	1.10	2.25	115/230	PSC/56	single	756.00

#### Premium Energy Efficient Single Speed

Order #	Model #	HP	S.F.	THP	Volts	Motor/Frame	Speed	List Price
IG124-1075M-000	S90-I	0.5	1.95	0.98	115/208-230	EE*/56	single	\$ 634.00
IG124-1100M-000	S90-II	0.75	1.67	1.25	115/208-230	EE*/56	single	661.00
IG124-1150M-000	S90-III	1.0	1.65	1.65	115/208-230	EE*/56	single	687.00
IG124-1200M-000	S90-IV	1.5	1.50	2.25	115/208-230	EE*/56	single	740.00

#### Premium Energy Efficient Two Speed

Order #	Model #	HP	S.F.	THP	Volts	Motor/Frame	Speed	List Price
IG121-2100M-000	S90-II	0.75	1.67	1.25	115	EE*/56	2-speed	\$ 846.00
IG129-2100M-000	S90-II	0.75	1.67	1.25	230	EE*/PSC/56	2-speed	846.00
IG121-2150M-000	S90-III	1.0	1.65	1.65	230	EE*/PSC/56	2-speed	898.00
IG121-2200M-000	S90-IV	1.5	1.47	2.25	230	EE*/PSC/56	2-speed	1,004.00

#### Three Phase Single Speed (Full Rated)

Order #	Model #	HP	S.F.	THP	Volts	Motor/Frame	Speed	List Price
IG123-1050F-000	S90-I	0.5	1.6	0.8	208-230/460	3 phase/56	single	\$ 740.00
IG123-1075F-000	S90-II	0.75	1.5	1.125	208-230/460	3 phase/56	single	766.00
IG123-1100F-000	S90-III	1.0	1.4	1.40	208-230/460	3 phase/56	single	819.00
IG123-1150F-000	S90-IV	1.5	1.3	1.95	208-230/460	3 phase/56	single	898.00

Three phase units are not UL Listed and requires a motor starter.

\*EE = Premium energy efficient motors.



Clear Lid with a built-in LED light for easier viewing of critters and debris in low light conditions.

#### Accessories

Order #	Description	List Price
2921116012B	Clear Lid with LED Light	\$ 41.20

See page 92-93 for replacement parts



# MODEL 433



## High Performance, High Head Swimming Pool Pump

### Features

- This high performance, high head pump comes complete with our unique mechanical shaft seal that allows the pump, if mistreated, to run dry for up to one hour.
- The pump can be used for pool water with a salt concentration of up to 5000 ppm.
- Pump parts are made of 100% recyclable plastic. Non-corrosive, chemical/UV resistant, and can withstand temperatures of up to 175°F.
- Suction and discharge are reinforced with aluminum rings.
- For pool users' safety, the impeller has a dielectric shaft sleeve that provides absolute separation between pool water and electric parts.
- Lock ring that incorporates handles. These handles provide the user with a convenient way to easily remove the lid.
- Flooded suction models available.
- Heavy duty "1081" pool motor with large 56 frame is thermally protected, has a PSC switchless design and extra large sealed ball bearings.
- Available with E-plus®/extreme-E® energy efficient motors for extra low energy consumption.
- Motor is easy to remove without disturbing the plumbing. Reusable o-rings throughout.
- Two year warranty on the motor and all pump parts, including normal wear of the mechanical seal.
- Every pump is performance tested before leaving the Speck factory.



Model 433-V



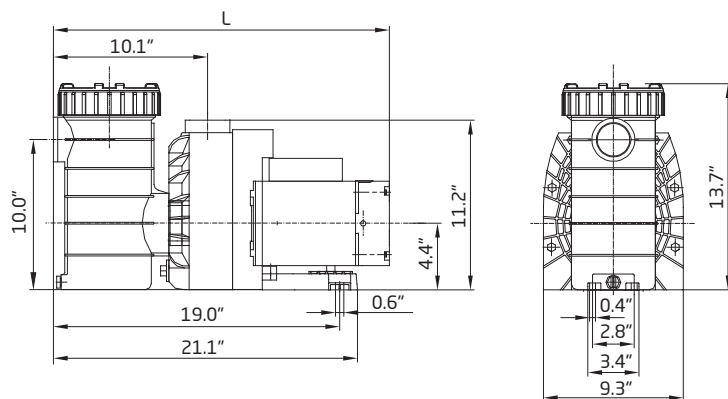
### Trademarks and Certifications



### Applications

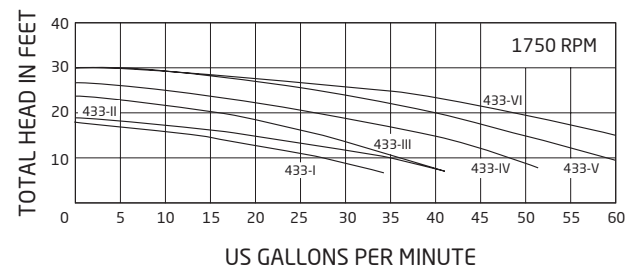
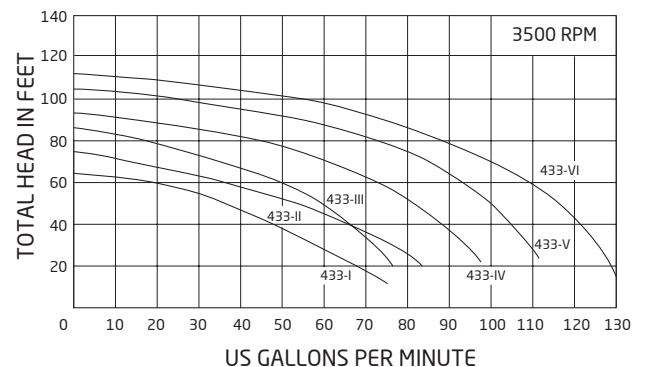
- In-ground pools
- Pool/Spa Combinations

### Dimensional Drawing



MODEL	DIMENSION "L"	SHIPPING WEIGHT
433-I	24.8"	37 lbs.
433-II	24.8"	39 lbs.
433-III	25.8"	40 lbs.
433-IV	26.0"	44 lbs.
433-V	26.3"	54 lbs.
433-VI	26.8"	56 lbs.

### Performance Curves



# MODEL 433



## High Performance, High Head Swimming Pool Pump



### Pricing

#### Standard Efficiency Single Speed (Max Rated)

Order #	Model #	HP	S.F.	THP	Volts	Motor/Frame	Speed	List Price
IG111-1075M-000	433-I	0.75	1.25	0.98	115/230	PSC/56	single	\$ 847.00
IG111-1100M-000	433-II	1.0	1.25	1.25	115/230	PSC/56	single	865.00
IG111-1150M-000	433-III	1.5	1.10	1.65	115/230	PSC/56	single	925.00
IG111-1200M-000	433-IV	2.0	1.10	2.25	115/230	PSC/56	single	1,065.00

#### Premium Energy Efficient Single Speed

Order #	Model #	HP	S.F.	THP	Volts	Motor/Frame	Speed	List Price
IG114-1075M-000	433-I	0.5	1.95	0.98	115/208-230	EE*/56	single	\$ 910.00
IG114-1100M-000	433-II	0.75	1.67	1.25	115/208-230	EE*/56	single	950.00
IG114-1150M-000	433-III	1.0	1.65	1.65	115/208-230	EE*/56	single	995.00
IG114-1200M-000	433-IV	1.5	1.50	2.25	115/208-230	EE*/56	single	1,111.00
IG114-1250M-000	433-V	2.0	1.30	2.60	208-230	EE*/56	single	1,210.00
IG114-1350M-000	433-VI	3.0	1.15	3.45	208-230	EE*/56	single	1,374.00

#### Premium Energy Efficient Two Speed

Order #	Model #	HP	S.F.	THP	Volts	Motor/Frame	Speed	List Price
IG111-2100M-000	433-II	0.75	1.67	1.25	115	EE*/56	2-speed	\$1,095.00
IG119-2100M-000	433-II	0.75	1.67	1.25	230	EE*/PSC/56	2-speed	1,095.00
IG111-2150M-000	433-III	1.0	1.65	1.65	230	EE*/PSC/56	2-speed	1,126.00
IG111-2200M-000	433-IV	1.5	1.47	2.25	230	EE*/PSC/56	2-speed	1,216.00
IG111-2250M-000	433-V	2.0	1.30	2.60	230	EE*/PSC/56	2-speed	1,457.00

All 2-speed motors are available with HI/OFF/LO toggle switch.

#### Three Phase Single Speed (Full Rated)

Order #	Model #	HP	S.F.	THP	Volts	Motor/Frame	Speed	List Price
IG113-1050F-000	433-I	0.5	1.60	0.8	208-230/460	3 phase/56	single	\$ 925.00
IG113-1075F-000	433-II	0.75	1.50	1.125	208-230/460	3 phase/56	single	963.00
IG113-1100F-000	433-III	1.0	1.40	1.40	208-230/460	3 phase/56	single	1,035.00
IG113-1150F-000	433-IV	1.5	1.30	1.95	208-230/460	3 phase/56	single	1,173.00
IG113-1200F-000	433-V	2.0	1.20	2.40	208-230/460	3 phase/56	single	1,265.00
IG113-1300F-000	433-VI	3.0	1.15	3.45	208-230/460	3 phase/56	single	1,409.00

Three phase units are not UL Listed and requires a motor starter.

\*EE = Premium energy efficient motors.



Clear Lid with a built-in LED light for easier viewing of critters and debris in low light conditions.

#### Accessories

Order #	Description	List Price
2921116012B	Clear Lid with LED Light	\$ 41.20

See page 104-105 for replacement parts

# MODEL 72



## High Performance, High Head Swimming Pool Pump

### Features

- This high performance, high flow pump comes complete with our unique mechanical shaft seal that allows the pump, if mistreated, to run dry for up to one hour.
- The pump can be used for pool water with a salt concentration of up to 5000 ppm.
- Pump parts are made of 100% recyclable plastic. Non-corrosive, chemical/UV resistant, and can withstand temperatures of up to 175°F.
- Suction and discharge are equipped with 2" or 3" quick disconnect unions for easy installation and maintenance.
- For pool users' safety, the impeller has a dielectric shaft sleeve that provides absolute separation between pool water and electric parts.
- Lock ring that incorporates handles. These handles provide the user with a convenient way to easily remove the lid.
- Heavy duty "1081" E-plus®/extreme-E™ energy efficient motors for extra low energy consumption. This large 56 frame motor is thermally protected, has a PSC switchless design and extra large sealed ball bearings.
- Motor is easy to remove without disturbing the plumbing. Reusable o-rings throughout.
- Two year warranty on the motor and all pump parts, including normal wear of the mechanical seal.
- Every pump is performance tested before leaving the Speck factory.



Model 72-IV



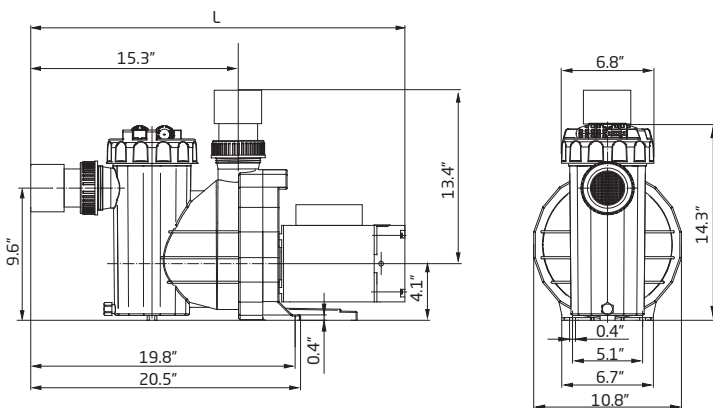
### Trademarks and Certifications



### Applications

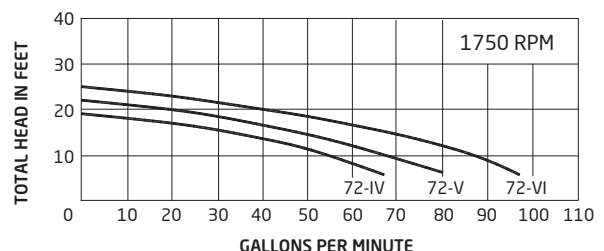
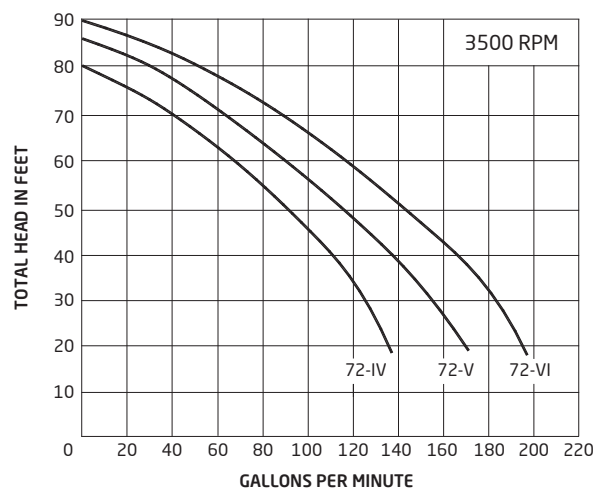
- In-ground pools
- Large residential and small commercial pools

### Dimensional Drawing



MODEL	DIMENSION "L"	SHIPPING WEIGHT
72-IV	29.0"	52 lbs.
72-V	29.0"	55 lbs.
72-VI	29.5"	56 lbs.

### Performance Curves



# MODEL 72



## High Performance, High Head Swimming Pool Pump



### Pricing

#### Premium Energy Efficient Single Speed

Order #	Model #	HP	S.F.	THP	Volts	Motor/Frame	Speed	List Price
IG234-1200M-000	72-IV	1.5	1.50	2.25	115/208-230	EE*/56	single	\$1,074.00
IG234-1250M-000	72-V	2.0	1.30	2.60	208-230	EE*/56	single	1,097.00
IG234-1350M-000	72-VI	3.0	1.15	3.45	208-230	EE*/56	single	1,296.00

#### Premium Energy Efficient Two Speed

Order #	Model #	HP	S.F.	THP	Volts	Motor/Frame	Speed	List Price
IG231-2200M-000	72-IV	1.5	1.47	2.25	230	EE*/PSC/56	2-speed	\$1,082.00
IG231-2250M-000	72-V	2.0	1.30	2.60	230	EE*/PSC/56	2-speed	1,241.00

All 2-speed motors are available with HI/OFF/LO toggle switch.

#### Three Phase Single Speed (Full Rated)

Order #	Model #	HP	S.F.	THP	Volts	Motor/Frame	Speed	List Price
IG233-1150F-000	72-IV	1.5	1.30	1.95	208-230/460	3 phase/56	single	\$1,143.00
IG233-1200F-000	72-V	2.0	1.20	2.40	208-230/460	3 phase/56	single	1,191.00
IG233-1300F-000	72-VI	3.0	1.15	3.45	208-230/460	3 phase/56	single	1,319.00

Three phase units are not UL Listed and requires a motor starter.

\*EE = Premium energy efficient motors.



Clear Lid with a built-in LED light for easier viewing of critters and debris in low light conditions.

#### Accessories

Order #	Description	List Price
2921116012B	Clear Lid with LED Light	\$ 41.20

### Notes

See page 100-101 for replacement parts

# MODEL ES90



## High Performance, Medium Head Swimming Pool Pump

### Features

- This high performance, medium head pump comes complete with an industry standard Carbon/Ceramic 5/8" mechanical seal for convenient replacement.
- Pump parts are made of 100% recyclable plastic. Non-corrosive, chemical/UV resistant, and can withstand temperatures of up to 150° F.
- All models are equipped with quick disconnect unions for easy installation and maintenance. Comes standard with 2" suction and 1.5"/2" discharge.
- For pool users' safety, the impeller has a dielectric shaft sleeve that provides absolute separation between pool water and electric parts.
- Lock ring that incorporates handles. These handles provide the user with a convenient way to easily remove the lid.
- Pump is equipped with energy efficient, switchless PSC 48 frame motor. Dual voltage motor with toggle switch and has a stainless steel shaft.
- Variety of cords sets are available.
- Motor is easy to remove without disturbing the plumbing. Reusable o-rings throughout.
- The Model ES90 comes complete with a full 12 month warranty.
- Every pump is performance tested before leaving the Speck factory.



Model ES90-II

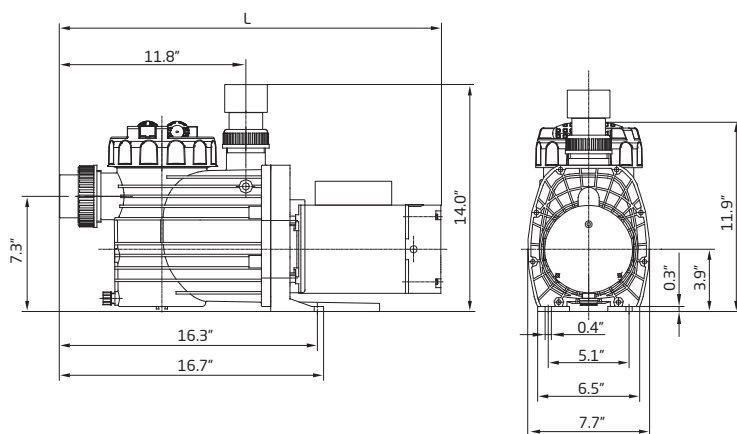
### Trademarks and Certifications



### Applications

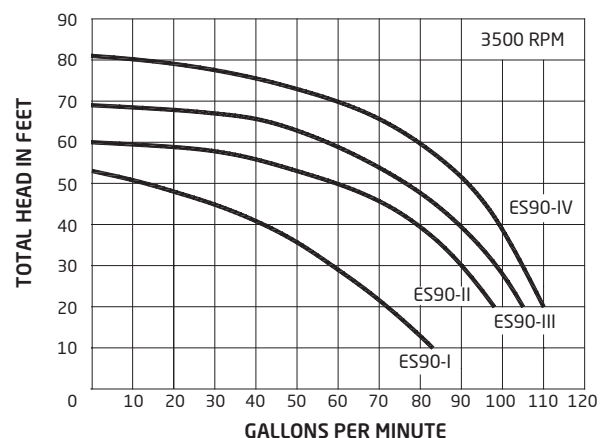
- In-ground pools (small to medium)
- Residential pools

### Dimensional Drawing



MODEL	DIMENSION "L"	SHIPPING WEIGHT
ES90-I	24.0"	30 lbs.
ES90-II	24.5"	31 lbs.
ES90-III	24.5"	34 lbs.
ES90-IV	25.5"	40 lbs.

### Performance Curves





# MODEL ES90



## High Performance, Medium Head Swimming Pool Pump

### Pricing



#### Standard Efficiency Single Speed

Order #	Model #	THP	Volts	Motor/Frame	Speed	List Price
IG156-1075T-000	ES90-I	0.75	115/230	PSC/48	single	\$ 430.00
IG156-1100T-000	ES90-II	1.0	115/230	PSC/48	single	466.00
IG156-1150T-000	ES90-III	1.5	115/230	PSC/48	single	522.00
IG156-1200T-000	ES90-IV	2.0	230	PSC/48	single	560.00



Clear Lid with a built-in LED light for easier viewing of critters and debris in low light conditions.

#### Accessories

Order #	Description	List Price
2921116012B	Clear Lid with LED Light	\$ 41.20

### Notes

See page 90-91 for replacement parts

# MODEL A91

## Self-Priming Swimming Pool Pump



### Features

- This high performance, medium head pump comes complete with an industry standard Carbon/Ceramic 5/8" mechanical seal for convenient replacement.
- Pump parts are made of 100% recyclable plastic. Non-corrosive, chemical/UV resistant, and can withstand temperatures of up to 150°F.
- Suction and discharge ports are equipped quick disconnect unions. Provided with a standard 1.5" slip and 1.5"/1.25" hose adaptor connections. Optional 1.5" NPT connections also available.
- For pool users' safety, the impeller has a dielectric shaft sleeve that provides absolute separation between pool water and electric parts.
- Specially constructed clear lid with ring lock design is easy to open. Strainer basket is always locked in place.
- Optional 4" high base is available.
- Pump is equipped with durable, special 48 frame thru-bolt mount energy efficient PSC motor with stainless steel shaft.
- Pump has a standard 3 ft. 3/12 AWG cord set pre-mounted. A variety of other cord sets are available.
- The Model A91 comes complete with a full 12 month warranty.
- Every pump is performance tested before leaving the Speck factory.



Model A91-II

### Trademarks and Certifications

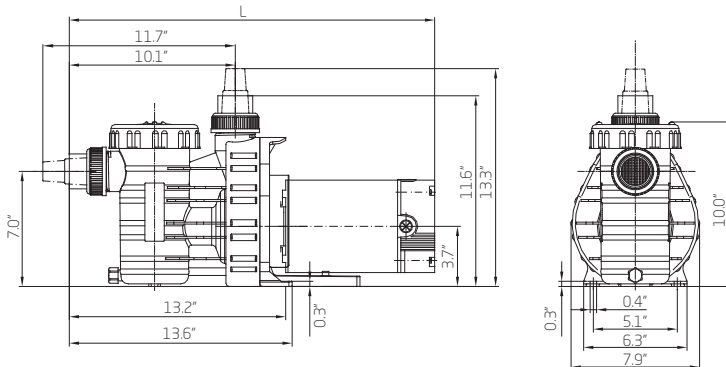


Select A91 models meets ANSI/APSP-15 standard

### Applications

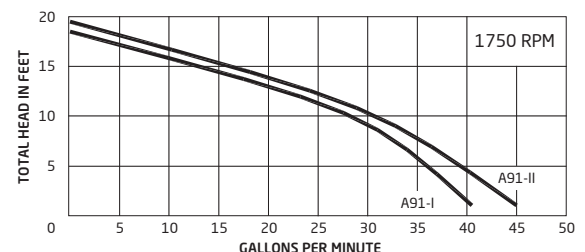
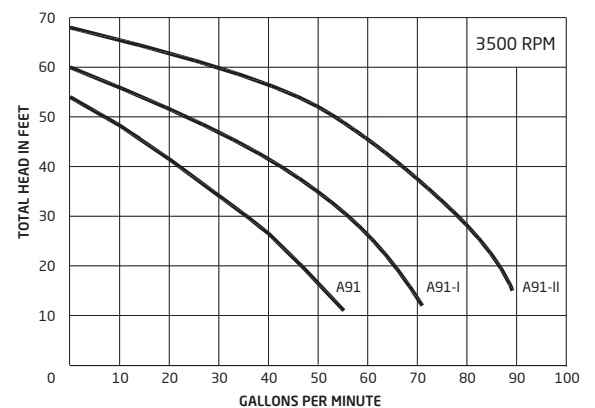
- Perfect for above-ground & small in-ground pools

### Dimensional Drawing



MODEL	DIMENSION "L"	SHIPPING WEIGHT
A91	21.0"	20 lbs.
A91-I	22.4"	21 lbs.
A91-II	22.4"	23 lbs.

### Performance Curves



# MODEL A91

## Self-Priming Swimming Pool Pump



### Pricing

#### THP Models

Order #	Model #	THP	Volts	Cord Set	Speed	List Price
AG212-1075T-OST	A91-I (Above-ground)	0.75	115	3' Standard	single	\$ 298.00
AG212-1100T-OST	A91-II (Above-ground)	1.0	115	3' Standard	single	323.00
AG212-2075T-OST	A91-I (Above-ground)	0.75	115	3' Standard	2-speed	420.00
AG216-2100T-OST	A91-II (Above-ground)	1.0	115	3' Standard	2-speed	438.00
IG211-1050T-000	A91 (In-ground)	0.50	115	No Cord	single	302.00
IG211-1050T-R00	A91R (In-ground)	0.50	115	No Cord	single	302.00
IG216-1075T-000	A91-I (In-ground)	0.75	115/230	No Cord	single	341.00
IG216-1100T-000	A91-II (In-ground)	1.0	115/230	No Cord	single	372.00

#### Specialty Rated Models

Order #	Model #	Specialty Rated	Volts	Cord Set	Speed	List Price
AG212-1100S-OST	A91-I (Above-ground)	1.0 SPL	115	3' Standard	single	\$ 298.00
AG212-1150S-OST	A91-II (Above-ground)	1.5 SPL	115	3' Standard	single	323.00
AG212-2100S-OST	A91-I (Above-ground)	1.0 SPL	115	3' Standard	2-speed	420.00
AG216-2150S-OST	A91-II (Above-ground)	1.5 SPL	115	3' Standard	2-speed	438.00

### Notes

See page 106-107 for replacement parts

# MODEL E71 VH

## Swimming Pool Pump



### Features

- This high performance, medium head pump comes complete with an industry standard Carbon/Ceramic 5/8" mechanical seal for convenient replacement.
- Pump parts are made of 100% recyclable plastic. Non-corrosive, chemical/UV resistant, and can withstand temperatures of up to 150°F.
- **ALL NEW:** Horizontal/Vertical discharge in one casing.
- Suction and discharge ports are equipped with hose adaptors. (Also available in 1.5" NPT/2" Slip quick disconnect unions)
- For pool users' safety, the impeller has a dielectric shaft sleeve that provides absolute separation between pool water and electric parts.
- Specially constructed clear lid with ring lock design is easy to open. Large strainer basket is always locked in place.
- Pump is equipped with durable, special 48 frame thru-bolt mount energy efficient PSC motor with stainless steel shaft.
- Pump has a standard 3 ft. 3/12 AWG cord set pre-mounted. A variety of other cord sets are available.
- Reusable o-rings throughout.
- The Model E71 comes complete with a full 12 month warranty.
- Every pump is performance tested before leaving the Speck factory.



Model E71-III VH

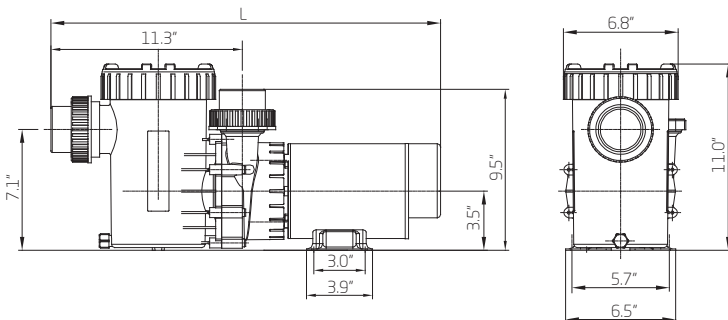
### Trademarks and Certifications



### Applications

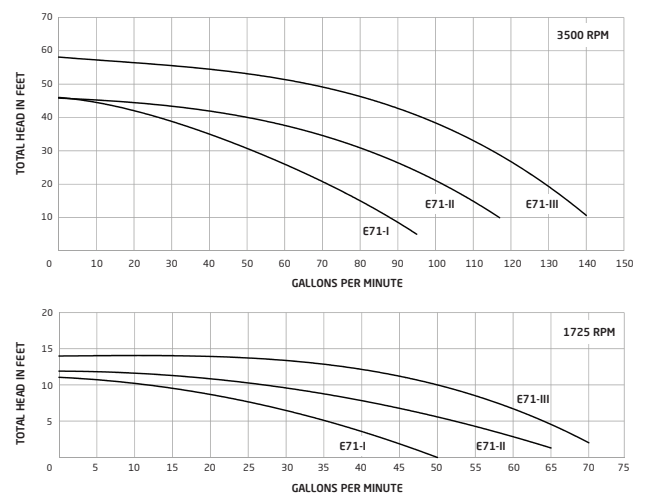
- Perfect for above-ground & on-ground pools

### Dimensional Drawing



MODEL	DIMENSION "L"	SHIPPING WEIGHT
E71-I	21.0"	30 lbs.
E71-II	21.5"	33 lbs.
E71-III	23.0"	34 lbs.

### Performance Curves



# MODEL E71 VH

## Swimming Pool Pump



### Pricing

#### Specially Rated Models - w/ 3' Standard Cord

Order #	Model #	Specially Rated	Volts	Motor/Frame	Speed	List Price
AG192-1100S-OST	E71-I VH	1.0 SPL	115	Splitphase/48	single	\$ 298.00
AG192-1150S-OST	E71-II VH	1.5 SPL	115	Splitphase/48	single	329.00
AG196-1200S-OST	E71-III VH	2.0 SPL	115	Cap. start/48	single	410.00
AG192-2100S-OST	E71-I VH	1.0 SPL	115	Splitphase/48	2-speed	426.00
AG192-2150S-OST	E71-II VH	1.5 SPL	115	Splitphase /48	2-speed	451.00
AG196-2200S-OST	E71-III VH	2.0 SPL	115	Cap. start/48	2-speed	468.00

#### Specially Rated Models - w/ Twist Lock Cord

Order #	Model #	Specially Rated	Volts	Motor/Frame	Speed	List Price
AG192-1100S-OTL	E71-I VH	1.0 SPL	115	Splitphase /48	single	\$ 298.00
AG192-1150S-OTL	E71-II VH	1.5 SPL	115	Splitphase/48	single	329.00
AG196-1200S-OTL	E71-III VH	2.0 SPL	115	Cap. start/48	single	410.00
AG192-2100S-OTL	E71-I VH	1.0 SPL	115	Splitphase /48	2-speed	426.00
AG196-2150S-OTL	E71-II VH	1.5 SPL	115	Cap. start/48	2-speed	451.00
AG196-2200S-OTL	E71-III VH	2.0 SPL	115	Cap. start/48	2-speed	468.00



Clear Lid with a built-in LED light for easier viewing of critters and debris in low light conditions.

#### Accessories

Order #	Description	List Price
2921116012B	Clear Lid with LED Light	\$ 41.20
2921116022	Lid Lock Ring with Handles	34.40

#### Notes

See page 108-109 for replacement parts



# SAND FILTERS



## Sand Filters - 16", 19", 24" & 31"

### Features

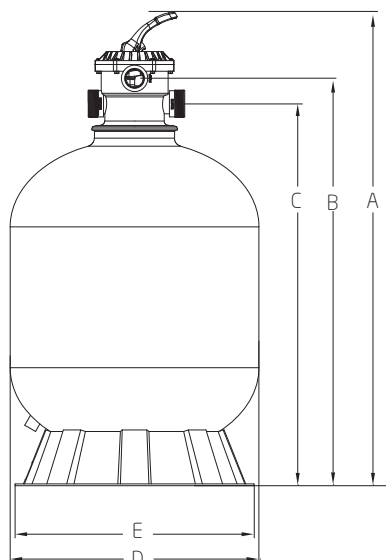
- One piece filter body is blow molded of a heavy duty polymeric plastic, immune to chemicals and environment abuse, to provide a rugged and attractively styled filter. Injection molded support pedestal.
- Eight corrosion-free, non-clogging, under drain laterals create a totally balanced flow across the full diameter of the sand bed. These precision-engineered laterals guarantee high water flow, excellent water clarity, and more efficient back washing.
- Top mounted, multi-port, multifunction, six position valve with pressure gauge and sight glass provides ultimate filter operation.
- Drain assembly is located at the bottom of the tank, which makes winterizing or servicing fast and easy. The drain assembly only permits water to be drained.
- Valve Functions:
  1. Filter
  2. Backwash
  3. Rinse
  4. Recirculate
  5. Waste
  6. Closed
- Systems are designed to make assembly and installation quick and easy.
- Heavy duty injection molded plastic equipment base keeps the pump and filter elevated, away from harm.
- All pump/filter systems are equipped with pump-to-filter hose package. Systems with pump Model E71 or A91 also includes pool-to-equipment hose package.
- A variety of cord sets are available.
- Twelve (12) months warranty on all pump parts. The filters comes with its own 10 year prorated limited warranty.
- Every filter is performance tested before leaving the factory.



### Applications

- Perfect for residential above-ground, on-ground, and in-ground pools.

### Technical Data



DIAMETER		16"	19"	24"	24"	31"
VALVE SIZE		1.5"	1.5"	1.5"	2.0"	2.0"
FILTER AREA	sq. ft.	1.35	2.10	3.14	3.14	4.90
DIMENSIONS	A	31.9"	36.6"	43.3"	46.1"	37.5"
	B	27.0"	31.7"	38.8"	39.1"	41.5"
	C	24.6"	29.3"	36.4"	36.1"	46.0"
	D	16.0"	19.0"	24.0"	24.0"	31.0"
	E	15.8"	18.9"	18.9"	18.9"	31.0"
MAXIMUM RECOMMENDED FLOW RATE	GPM	35	42	62	62	98
MAXIMUM POOL CAPACITY <i>(Based on 8 hour turnover)</i>	Gallons	16,800	20,160	29,760	29,760	47,040
SAND REQUIREMENTS	lbs.	100	175	300	300	500
<small>*Recommended sand 0.4mm to 0.6mm (20-30 grade silica sand)</small>						
MAXIMUM OPERATION PRESSURE: 35 PSI (test pressure 50 PSI)						
SHIPPING WEIGHT	lbs.	17	23	36	36	68

# SAND FILTERS



Sand Filters - 16", 19", 24" & 31"

## Pricing

Order #	Description	List Price
<b>SAND FILTERS with Six-Position Valve</b>		
SF50A-00000-OSA	16" Filter with 1.5" Multi-port Valve and Pressure Gauge	\$ 226.00
SF50A-00000-OSD	19" Filter with 1.5" Multi-port Valve and Pressure Gauge	283.00
SF50A-00000-OSE	24" Filter with 1.5" Multi-port Valve and Pressure Gauge	378.00
SF50B-00000-OSE	24" Filter with 2.0" Multi-port Valve and Pressure Gauge	438.00
SF50B-00000-OSF	31" Filter with 2.0" Multi-port Valve and Pressure Gauge	757.00



Sand Filter System  
Model A91-I/16" (pictured)



Sand Filter System  
Model E71-I/16" (pictured)

Order #	Description	List Price
<b>Above-Ground Systems</b>		
FS56A-1100S-6SA	Self-Priming Pump Model A91-I, 1.0 HP SPL with 16" Hi-Rate Sand Filter, Pump/Filter Base with Hardware, Plumbing Packages (Pump-to-Filter & Equipment-to-Pool)	\$ 623.00
FS56A-1150S-6SD	Self-Priming Pump Model A91-II, 1.5 HP SPL with 19" Hi-Rate Sand Filter, Pump/Filter Base with Hardware, Plumbing Packages (Pump-to-Filter & Equipment-to-Pool)	693.00
FS52A-1100S-6SA	Flooded Suction Pump Model E71-I, 1.0 HP SPL with 16" Hi-Rate Sand Filter, Pump/Filter Base with Hardware, Plumbing Packages (Pump-to-Filter & Equipment-to-Pool)	615.00
FS52A-1150S-6SD	Flooded Suction Pump Model E71-II, 1.5 HP SPL with 19" Hi-Rate Sand Filter, Pump/Filter Base with Hardware, Plumbing Packages (Pump-to-Filter & Equipment-to-Pool)	656.00

Other pump & filter combinations and specially rated pump models are available upon request.

See page 126-127 for replacement parts

# MODEL ACF



## Cartridge Filters

### Features

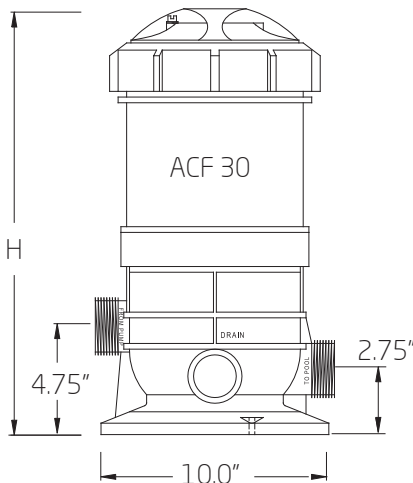
- The injection molded tank construction provides dependable corrosion-free performance.
- The filter is designed with a lock ring lid closer to make access to the cartridge for cleaning a snap.
- Cartridge with 100% polyester media provides long cleaning cycles and results in long cartridge life.
- Built-in air relief valve and pressure gauge.
- Equipped with 1.5" quick disconnect unions and large 1.5" drain plug for easy debris removal.
- Systems are designed to make assembly and installation quick and easy.
- Heavy duty injection molded plastic equipment base keeps the pump and filter elevated, away from harm.
- All pump/filter systems are equipped with pump-to-filter plumbing package with quick disconnect unions. Systems with pump Model A91 or Model E71 also includes pool-to-equipment hose package.
- A variety of cord sets are available.
- Twelve (12) months warranty on all pump parts.
- Every filter is performance tested before leaving the factory.

### Applications

- Perfect for residential above-ground, on-ground, and in-ground pools.



### Technical Data



MODEL		ACF 30	ACF 60	ACF 90	ACF 120	ACF 150	ACF 180
FILTER AREA	sq. ft.	30	60	90	120	150	180
DIMENSIONS	H	18.0"	22.5"	28.0"	33.75"	40.75"	45.0"
MAXIMUM RECOMMENDED FLOW RATE*	GPM	30	60	90	120	150	180
MAXIMUM POOL CAPACITY <i>(Based on 8 hour turnover)</i>	Gallons	14,000	28,000	43,000	57,000	72,000	86,000
PORT SIZE		1.5"	1.5"	1.5"	1.5"	1.5"	1.5"
MAXIMUM OPERATION PRESSURE:	50 PSI						
MAXIMUM OPERATION TEMPERATURE:	130°						
SHIPPING WEIGHT	lbs.	15	17	18	19	22	25

\*Rated flow based on a maximum of 1 GPM per sq. ft. of filter area.

# MODEL ACF



## Cartridge Filters

### Pricing

Order #	Description	List Price
CF51A-00000-0CH	Filter 30 sq. ft., with Pressure Gauge and 1.5" quick disconnect unions	\$ 215.00
CF51A-00000-0CA	Filter 60 sq. ft., with Pressure Gauge and 1.5" quick disconnect unions	233.00
CF51A-00000-0CB	Filter 90 sq. ft., with Pressure Gauge and 1.5" quick disconnect unions	268.00
CF51A-00000-0CC	Filter 120 sq. ft., with Pressure Gauge and 1.5" quick disconnect unions	329.00
CF51A-00000-0CD	Filter 150 sq. ft., with Pressure Gauge and 1.5" quick disconnect unions	360.00
CF51A-00000-0CE	Filter 180 sq. ft., with Pressure Gauge and 1.5" quick disconnect unions	429.00

\* Special Order Item



Cartridge Filter System  
Model A91-I/ACF 60 (pictured)



Cartridge Filter System  
Model E71-I/ACF 120 (pictured)

Order #	Description	List Price
<b>Above Ground Filter Systems</b>		
FC592-1100S-6CA	Self-Priming Pump Model A91-I, 1.0 HP SPL 115V with 60 sq. ft. Cartridge Filter, Pump/Filter Base with Hardware, Plumbing Packages (Pump-to-Filter and Equipment-to-Pool)	\$ 656.00
FC592-1150S-6CB	Self-Priming Pump Model A91-II, 1.5 HP SPL with 90 sq. ft. Cartridge Filter, Pump/Filter Base with Hardware, Plumbing Packages (Pump-to-Filter and Equipment-to-Pool)	712.00
FC572-1100S-6CA	Flooded Suction Pump Model E71-I, 1.0 HP SPL 115V with 60 sq. ft. Cartridge Filter, Pump/Filter Base with Hardware, Plumbing Packages (Pump-to-Filter and Equipment-to-Pool)	642.00
FC572-1150S-6CB	Flooded Suction Pump Model E71-II, 1.5 HP SPL with 90 sq. ft. Cartridge Filter, Pump/Filter Base with Hardware, Plumbing Packages (Pump-to-Filter and Equipment-to-Pool)	709.00
<b>In-Ground Filter Systems</b>		
FC582-1100M-5CC	Self-Priming Pump Model ES90-I, 0.75 HP 115/230V with 120 sq. ft. Cartridge Filter, Pump/Filter Base with Hardware and Pump-to-Filter Plumbing Package	919.00
FC582-1150M-5CD	Self-Priming Pump Model ES90-II, 1.0 HP 115/230V with 150 sq. ft. Cartridge Filter, Pump/Filter Base with Hardware and Pump-to-Filter Plumbing Package	1,023.00
FC582-1200M-5CE	Self-Priming Pump Model ES90-III, 1.5 HP 115/230V with 180 sq. ft. Cartridge Filter, Pump/Filter Base with Hardware and Pump-to-Filter Plumbing Package	1,133.00
FC641-1100M-5CC	Self-Priming Pump Model S90-I, 0.75 HP 115/230V with 120 sq. ft. Cartridge Filter, Pump/Filter Base with Hardware and Pump-to-Filter Plumbing Package	1,027.00
FC641-1150M-5CD	Self-Priming Pump Model S90-II, 1.0 HP 115/230V with 150 sq. ft. Cartridge Filter, Pump/Filter Base with Hardware and Pump-to-Filter Plumbing Package	1,090.00
FC641-1200M-5CE	Self-Priming Pump Model S90-III, 1.5 HP 115/230V with 180 sq. ft. Cartridge Filter, Pump/Filter Base with Hardware and Pump-to-Filter Plumbing Package	1,217.00

See page 132-133 for replacement parts



# Special Application Pumps

Whether you're creating a vanishing edge effect for a pool, or designing a waterfall, fountain or water slide, we have the pumps that will do the job.



# Product Overview



---

**Model E45**  
Jetted Bathtub Pump  
0.75 - 1.5 THP (1.0 - 2.0 SPL)  
Page 48



---

**Model E75**  
Spa Pump  
0.75 - 2.5 THP (1.0 - 2.5 SPL)  
Page 50



---

**Model 21-80/30G**  
Special Application Pump  
0.5 HP (1750 RPM)  
Page 52



---

**Model 21-80 G**  
Special Application Pump  
4.0 & 6.0 HP  
Page 54



---

**Model 21-80 GS**  
Special Application Pump  
4.0 & 6.0 HP  
Page 54



---

**Model 21-80 BS**  
Special Application Pump  
4.0 & 6.0 HP  
Page 56

# MODEL E45

## Jetted Bathtub Pump



### Features

- This high performance, medium head pump comes complete with an industry standard Carbon/Ceramic 5/8" mechanical seal for convenient replacement.
- Pump parts are made of 100% recyclable plastic. Non-corrosive, chemical/UV resistant, and can withstand temperatures of up to 150°F.
- Suction and discharge ports are equipped with 1.5" quick disconnect unions. Optional 1.5" NPT connections are available.
- A special design allows all water to drain from the pump casing.
- For tub users' safety, the impeller has a dielectric shaft sleeve that provides absolute separation between pool water and electric parts.
- Pump is equipped with durable, economical 48 frame thru-bolt mount motor with stainless steel shaft.
- Pump is also available with a specially designed 42 frame motor with built-in air switch.
- The Model E45 comes standard with a 3 ft. 3/12 AWG cord set with built-in air switch. A variety of other cord sets are available.
- Reusable o-rings throughout.
- The Model E45 comes complete with a full 12 month warranty.
- Every pump is performance tested before leaving the Speck factory.



Model E45-I

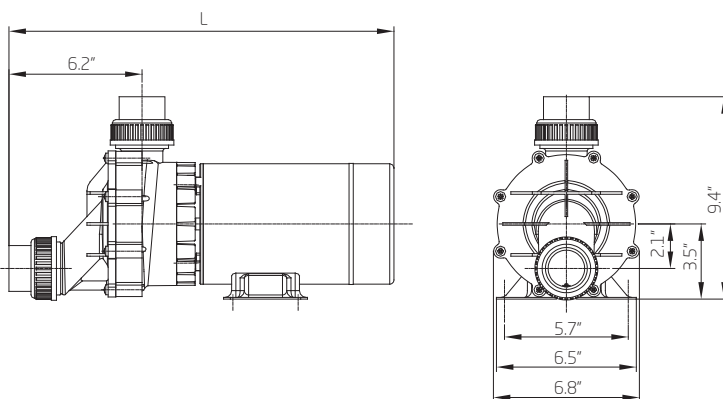
### Trademarks and Certifications



### Applications

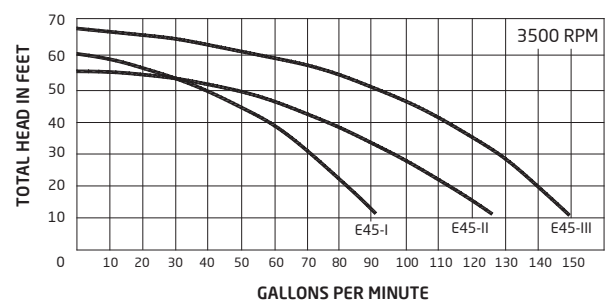
- Perfect for above-ground & on-ground pools

### Dimensional Drawing



MODEL	DIMENSION "L"	SHIPPING WEIGHT
E45-I	13.5"	15 lbs.
E45-II	14.5"	16 lbs.
E45-III	15.5"	17 lbs.

### Performance Curves



# MODEL E45

## Jetted Bathtub Pump



### Pricing

#### THP Models

Order #	Model #	THP	Volts	Motor/Frame	Speed	List Price
JT182-1075T-OST	E45-I	0.75	115	Splitphase/48	single	\$ 312.00
JT182-1100T-OST	E45-II	1.0	115	Splitphase/48	single	326.00
JT182-1150T-OST	E45-III	1.5	115	Splitphase/48	single	366.00

#### Specially Rated Models

Order #	Model #	Specially Rated	Volts	Motor/Frame	Speed	List Price
JT182-1100S-OST	E45-I	1.0 SPL	115	Splitphase/48	single	\$ 312.00
JT182-1150S-OST	E45-II	1.5 SPL	115	Splitphase/48	single	326.00
JT182-1200S-OST	E45-III	2.0 SPL	115	Splitphase/48	single	366.00

All models come standard with 3 ft. 3/12 AWG cord set and built-in air switch.

### Notes

See page 110-111 for replacement parts

# MODEL E75

## Spa Pump



### Features

- This high performance, medium head pump comes complete with an industry standard Carbon/Ceramic 5/8" mechanical seal for convenient replacement.
- Pump parts are made of 100% recyclable plastic. Non-corrosive, chemical/UV resistant, and can withstand temperatures of up to 150°F.
- Suction and discharge ports are equipped with 2" quick disconnect unions. (The Model E75-I comes standard with 1.5" quick disconnect unions.)
- For spa users' safety, the impeller has a dielectric shaft sleeve that provides absolute separation between pool water and electric parts.
- The Model E75 is available with 115V or 230V motor in single or two speed.
- Pump is equipped with durable, economical 48 frame thru-bolt mount motor with stainless steel shaft.
- A variety of other cord sets are available.
- The Model E75 comes complete with a full 12 month warranty.
- Every pump is performance tested before leaving the Speck factory.



Model E75-III

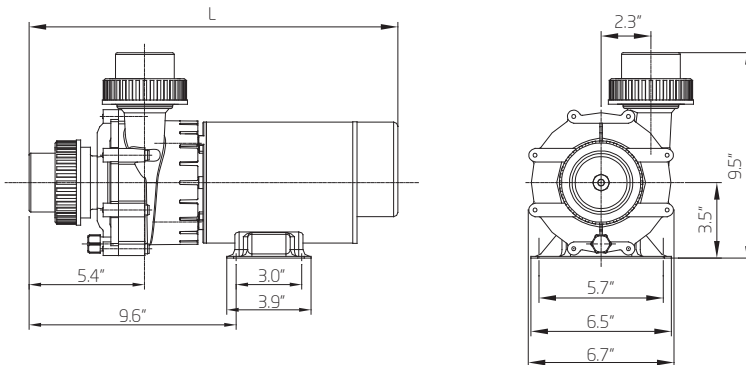
### Trademarks and Certifications



### Applications

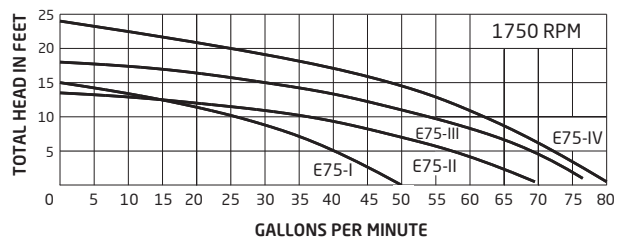
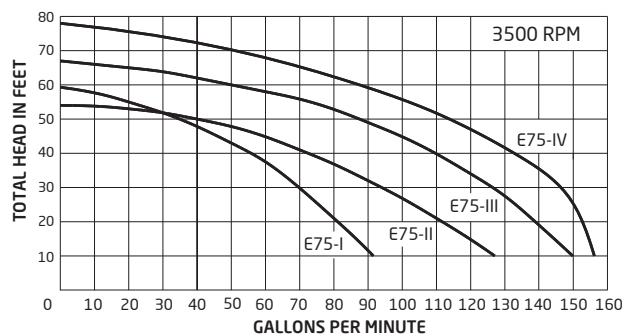
- Perfect for spas

### Dimensional Drawing



MODEL	DIMENSION "L"	SHIPPING WEIGHT
E75-I	15.5"	23 lbs.
E75-II	16.0"	29 lbs.
E75-III	16.5"	27 lbs.
E75-IV	18.0"	30 lbs.

### Performance Curves



# MODEL E75

## Spa Pump



### Pricing

#### THP Models

Order #	Model #	THP	Volts	Motor/Frame	Speed	List Price
SP202-1075T-000	E75-I	0.75	115	Splitphase/48	single	\$ 322.00
SP202-1100T-000	E75-II	1.0	115	Splitphase/48	single	339.00
SP206-1150T-000	E75-III	1.5	115	Cap. start/48	single	381.00
SP206-1200T-000	E75-IV	2.0	115/230	Cap. start/48	single	476.00
SP206-2100T-000	E75-II	1.0	115	Cap. start/48	2-speed	409.00
SP206-2150T-000	E75-III	1.5	115	Cap. start/48	2-speed	433.00
SP206-2200T-000	E75-IV	2.0	230	Cap. start/48	2-speed	539.00

#### Specially Rated Models

Order #	Model #	Specially Rated	Volts	Motor/Frame	Speed	List Price
SP202-1100S-000	E75-I	1.0 SPL	115	Splitphase/48	single	\$ 322.00
SP202-1150S-000	E75-II	1.5 SPL	115	Splitphase/48	single	339.00
SP206-1200S-000	E75-III	2.0 SPL	115	Cap. start/48	single	381.00
SP206-1250S-000	E75-IV	2.5 SPL	115/230	Cap. start/48	single	476.00
SP206-2150S-000	E75-II	1.5 SPL	115	Cap. start/48	2-speed	409.00
SP206-2200S-000	E75-III	2.0 SPL	115	Cap. start/48	2-speed	433.00
SP206-2250S-000	E75-IV	2.5 SPL	230	Cap. start/48	2-speed	539.00

All 2-speed motors are available with HI/OFF/LO toggle switch.

### Notes

See page 112-113 for replacement parts



# MODEL 21-80/30G

## Special Water Feature Pump



### Features

- This high volume, low head pump comes complete with our unique mechanical shaft seal that allows the pump, if mistreated, to run dry for up to one hour.
- Pump parts are made of 100% recyclable plastic. Non-corrosive, chemical/UV resistant, and can withstand temperatures of up to 175°F.
- The pump can be used for pool water with a salt concentration of up to 5000 ppm.
- Equipped with 4" quick disconnect unions for easy installation and maintenance.
- For pool users' safety, the impeller has a dielectric shaft sleeve that provides absolute separation between pool water and electric parts.
- Heavy duty "1081" E-plus®/extreme-E™ energy efficient motors for extra low energy consumption. This large 56 frame motor is thermally protected, has a PSC switchless design and extra large sealed ball bearings.
- Motor is easy to remove without disturbing the plumbing. Reusable o-rings throughout.
- Two year warranty on the motor and all pump parts, including normal wear of the mechanical seal.
- Every pump is performance tested before leaving the Speck factory.



Model 21-80/30G



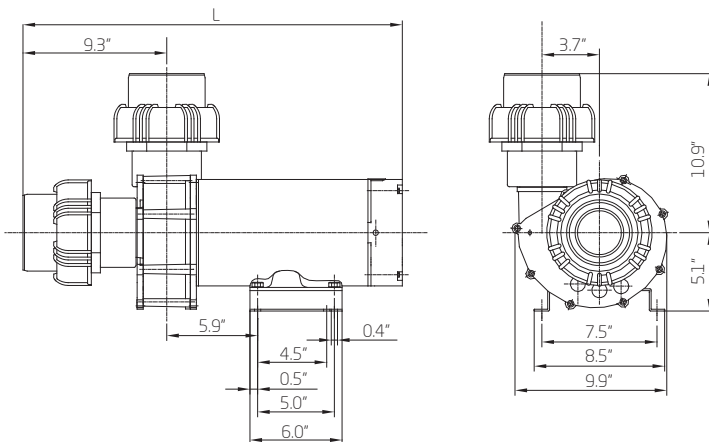
### Trademarks and Certifications



### Applications

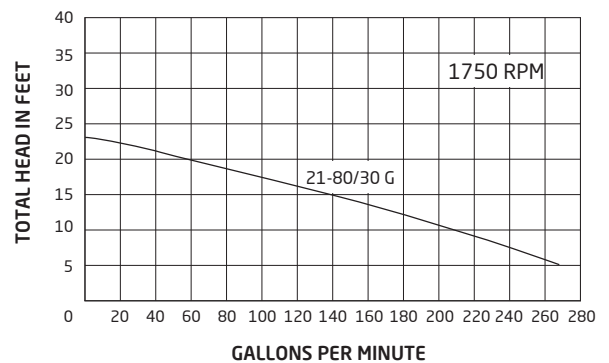
- Pools with vanishing edge, waterfall, fountain or water slide feature

### Dimensional Drawing



MODEL	DIMENSION "L"	SHIPPING WEIGHT
21-80/30 G	24.5"	52 lbs.

### Performance Curves



# MODEL 21-80/30G



## Special Water Feature Pump



### Pricing

#### Energy Efficient Single Speed

Order #	Model #	HP	S.F.	THP	Volts	Motor/Frame	Speed	List Price
WF104-1050F-OFS	21-80/30 G	0.5	1.8	0.9	230/115	EE*/56	single	\$1,739.00

\*EE = Premium energy efficient motors.



The Wrench offers a convenient and efficient way to open the strainer tanks. The wrench also doubles as a tool to use on 3" & 4" unions.



#### Accessories

Order #	Description	List Price
2500200900	Quick disconnect union, ABS plastic, 4.0" FS x 2.75" FPT, complete	\$ 115.00
2500400900	Quick disconnect union, ABS plastic, 4.0" FS x 4.0" FS, complete	83.60
2902099800	Lid and Union wrench	48.90

### Notes

See page 114-115 for replacement parts

# MODEL 21-80 G & GS

## Special Application & SwimJet System Pump



### Features

- This high volume, low head pump comes complete with our unique mechanical shaft seal that allows the pump, if mistreated, to run dry for up to one hour.
- Pump parts are made of 100% recyclable plastic. Non-corrosive, chemical/UV resistant, and can withstand temperatures of up to 175°F.
- The pump can be used for pool water with a salt concentration of up to 5000 ppm.
- Equipped with 4" quick disconnect unions for easy installation and maintenance.
- For pool users' safety, the impeller has a dielectric shaft sleeve that provides absolute separation between pool water and electric parts.
- Heavy duty "1081" E-plus®/extreme-E™ energy efficient motors for extra low energy consumption. This large 56 frame motor is thermally protected, has a PSC switchless design and extra large sealed ball bearings.
- Motor is easy to remove without disturbing the plumbing. Reusable o-rings throughout.
- Two year warranty on the motor and all pump parts, including normal wear of the mechanical seal.
- Every pump is performance tested before leaving the Speck factory.



Model 21-80/ G

Model 21-80/ GS



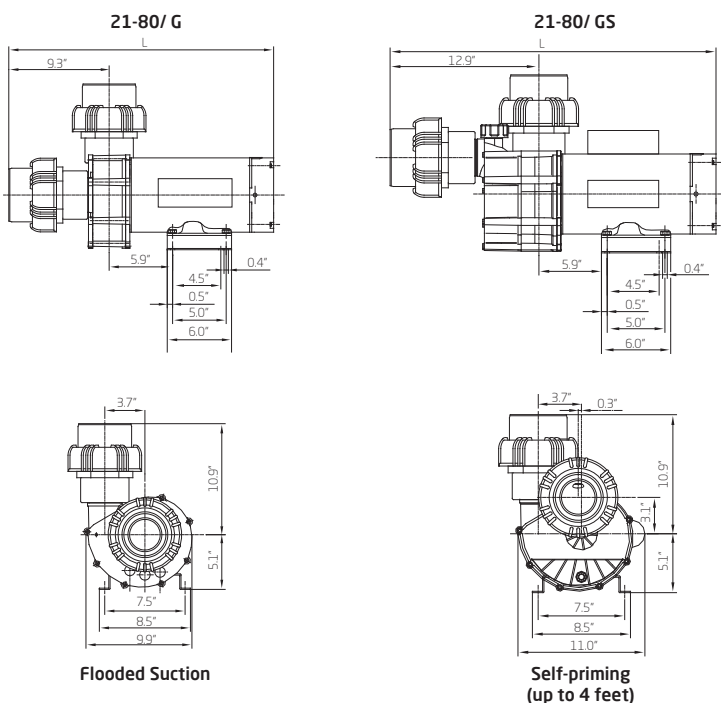
### Trademarks and Certifications



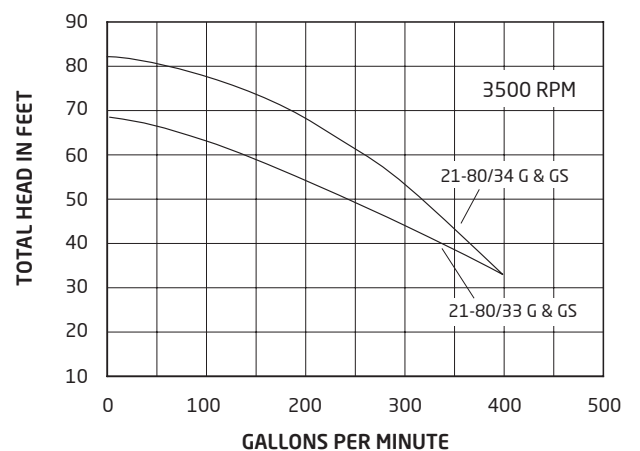
### Applications

- Pools with vanishing edge, waterfall, fountain or water slide feature
- Pools with our BADU® SwimJet Systems

### Dimensional Drawing



### Performance Curves



MODEL	DIMENSION "L"	SHIPPING WEIGHT
21-80/33 G	25.8"	71 lbs.
21-80/33 GS	29.5"	71 lbs.
21-80/34 G	25.8"	76 lbs.
21-80/34 GS	29.5"	77 lbs.

# MODEL 21-80 G & GS



## Special Application & SwimJet System Pump



### Pricing

#### Premium Energy Efficient Single Speed

Order #	Model #	HP	S.F.	THP	Volts	Motor/Frame	Speed	List Price
SA104-1400F-000	21-80/33 GS (self priming)	4.0	1.25	5.0	208-230	EE*/ODP/56	single	\$2,539.00
SA104-1400F-OFS	21-80/33 G (flooded suction)	4.0	1.25	5.0	208-230	EE*/ODP/56	single	2,450.00
SA104-1600M-000	21-80/34 GS (self priming)	6.0	1.0	6.0	208-230	EE*/ODP/56	single	2,796.00
SA104-1600M-OFS	21-80/34 G (flooded suction)	6.0	1.0	6.0	208-230	EE*/ODP/56	single	2,709.00

\*EE = Premium energy efficient motors.

#### Three Phase Single Speed (Full Rated)

Order #	Model #	HP	S.F.	THP	Volts	Motor/Frame	Speed	List Price
SA103-1400F-000	21-80/33 GS (self priming)	4.0	1.25	5.0	200-208/460	3 phase/ODP/56	single	\$2,576.00
SA103-1400F-OFS	21-80/33 G (flooded suction)	4.0	1.25	5.0	200-230/460	3 phase/ODP/56	single	2,506.00
SA103-1600M-000	21-80/34 GS (self priming)	6.0	1.0	6.0	208-230/460	3 phase/ODP/56	single	2,576.00
SA103-1600M-OFS	21-80/34 G (flooded suction)	6.0	1.0	6.0	208-230/460	3 phase/ODP/56	single	2,462.00

**NOTE:** Three phase models and 6 HP models are not UL Listed.

Three phase 6 HP models require a motor starter

#### 50 Hz. Models

Order #	Model #	kW	Volts	Motor/Frame	Speed	List Price
2080422974	21-80/33 SG (self priming)	3.0	230	EE*/TEFC	single	\$2,877.00
2080421974	21-80/33 G (flooded suction)	3.0	230	EE*/TEFC	single	2,761.00
2080422977	21-80/33 SG (self priming)	3.0	230/400	3 phase/TEFC	single	2,143.00
2080421977	21-80/33 G (flooded suction)	3.0	230/400	3 phase/TEFC	single	2,029.00
2080402977	21-80/34 SG (self priming)	4.0	400	3 phase/TEFC	single	2,886.00
2080401977	21-80/34 G (flooded suction)	4.0	400	3 phase/TEFC	single	2,694.00

**NOTE:** All 50 Hz models are CE certified.



The Wrench offers a convenient and efficient way to open the strainer tanks. The wrench also doubles as a tool to use on 3" & 4" unions.



#### Accessories

Order #	Description	List Price
2500200900	Quick disconnect union, ABS plastic, 4.0" FS x 2.75" FPT, complete	\$ 115.00
2500400900	Quick disconnect union, ABS plastic, 4.0" FS x 4.0" FS, complete	83.60
2902099800	Lid and Union wrench	48.90

See page 116-119 for replacement parts

# MODEL 21-80 BS

## Special Application Pump



### Features

- This high performance pump comes complete with our unique mechanical shaft seal that allows the pump, if mistreated, to run dry for up to one hour.
- Pump parts are made of 100% recyclable plastic. Non-corrosive, chemical/UV resistant, and can withstand temperatures of up to 175°F.
- The pump can be used for pool water with a salt concentration of up to 5000 ppm.
- Equipped with 4" female slip adaptor on suction of strainer tank and 4" male slip adaptors on the discharge.
- For pool users' safety, the impeller has a dielectric shaft sleeve that provides absolute separation between pool water and electric parts.
- Heavy duty "1081" E-plus®/extreme-E™ energy efficient motors for extra low energy consumption. This large 56 frame motor is thermally protected, has a PSC switchless design and extra large sealed ball bearings. (No motor starter required)
- Motor is easy to remove without disturbing the plumbing. Reusable o-rings throughout.
- Two year warranty on the motor and all pump parts, including normal wear of the mechanical seal.
- Every pump is performance tested before leaving the Speck factory.



Model 21-80/ BS



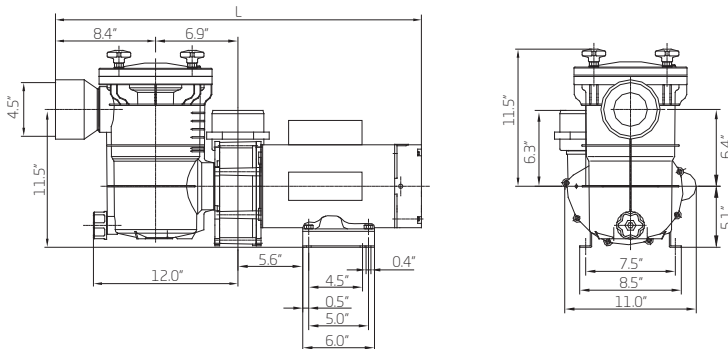
### Trademarks and Certifications



### Applications

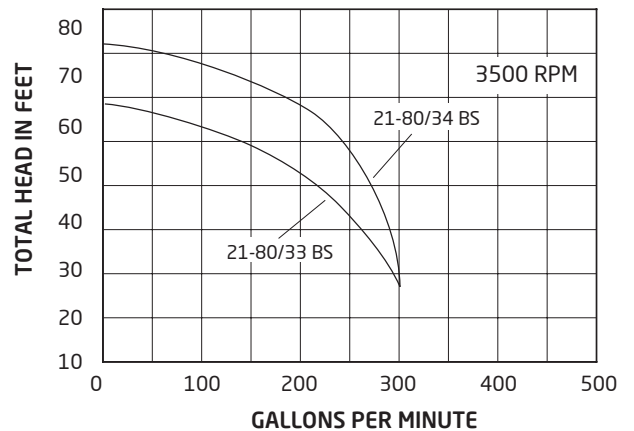
- Vanishing edge, waterfall, water slide, swim spas, & hydrotherapy
- Commercial vacuum and sand filters

### Dimensional Drawing



MODEL	DIMENSION "L"	SHIPPING WEIGHT
21-80/33 BS	31.0"	95 lbs.
21-80/34 BS	31.0"	99 lbs.

### Performance Curves





# MODEL 21-80 BS

## Special Application Pump



### Pricing

#### Premium Energy Efficient Single Speed

Order #	Model #	HP	S.F.	THP	Volts	Motor/Frame	Speed	List Price
WF104-1050F-OBS	21-80/30 BS (1750 RPM)	0.50	1.80	0.9	230/115	EE*/ODP/56	single	\$3,115.00
SA104-1400F-OBS	21-80/33 BS (self priming)	4.0	1.25	5.0	208-230	EE*/ODP/56	single	3,186.00
SA104-1600M-OBS	21-80/34 BS (self priming)	6.0	1.00	6.0	208-230	EE*/ODP/56	single	3,200.00

\*EE = Premium energy efficient motors.

#### Three Phase Single Speed (Full Rated)

Order #	Model #	HP	S.F.	THP	Volts	Motor/Frame	Speed	List Price
SA103-1400F-OBS	21-80/33 BS (self priming)	4.0	1.25	5.0	200-230/460	3 phase/ODP/56	single	\$3,143.00
SA103-1600M-OBS	21-80/34 BS (self priming)	6.0	1.00	6.0	208-230/460	3 phase/ODP/56	single	3,172.00

**NOTE:** Three phase models and 6 HP models are not UL Listed.  
Three phase 6 HP models require a motor starter

#### 50 Hz. Models

Order #	Model #	kW	Volts	Motor/Frame	Speed	List Price
2080428974	21-80/33 BS (self priming)	3.0	230	EE*/TEFC	single	\$3,251.00
2080428977	21-80/33 BS (self priming)	3.0	230/400	3 phase/TEFC	single	2,517.00
2080408977	21-80/34 BS (self priming)	4.0	400	3 phase/TEFC	single	3,186.00

**NOTE:** All 50 Hz models are CE certified.

### Notes

See page 120-121 for replacement parts



# BADU<sup>®</sup> SwimJet Systems

Add some movement to the water and excitement to the pool... Speck is the world leader in swim against the current systems, offering a wide range for various budgets and levels of exercise. Pool owners can get more enjoyment and use from their pool investment with the installation of a BADU<sup>®</sup> SwimJet System.

# Product Overview



---

**Badu®Stream II**  
In-the-Wall Mount  
Page 60



---

**Badu®Jet super-sport II**  
In-the-Wall Mount  
Page 62



---

**Badu®Jet Imperial**  
In-the-Wall Mount  
Page 64



---

**Badu®Jet Inspiration**  
Over-the-Wall Mount  
Page 66

# BADU<sup>®</sup> Stream //



## SwimJet System

### Features

- Flush mounted jet housing.
- Anti-entrapment cover (8-1/4" x 8-1/4") provides undetectable suction. (Round or Square covers available - please specify)
- Adjustable water flow jet nozzles.
- Air regulator controls amount of air bubbles in water flow. (Black cover available)
- Control Box with GFCI.
- Speck 4.0 HP or 3.5 HP self-priming plastic pump. UL Listed, single phase with thermal overload (*no motor start required*).
- **NEW for 2018:** System will include the nozzle adjustment tools to help set the jet nozzles in position for optimum performance
- Pulsating massage hose that can be attached to jet nozzle. (*Optional*)
- Winter cover kit. (*Optional - Not Shown*)



Package A (with square cover)

### Installation

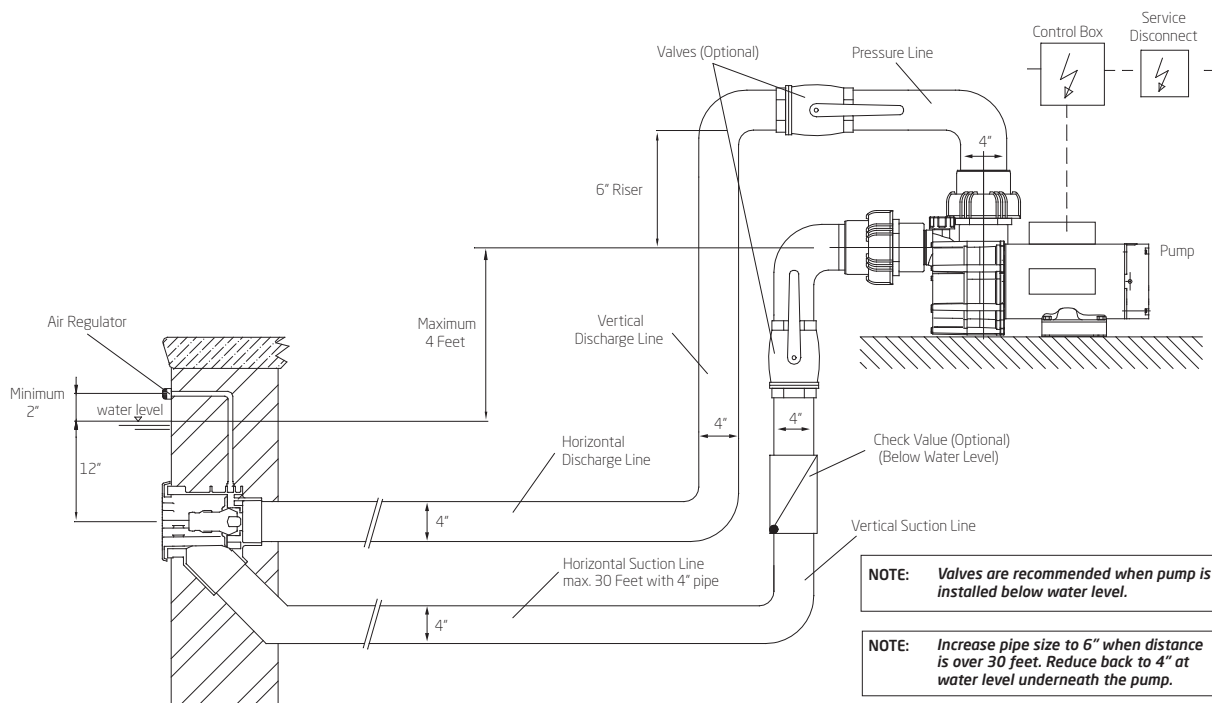
The BaduStream is normally incorporated into the design, but it can be added to any pool at a later date.

The BaduStream has no protruding parts ensuring pool users' safety.

All BaduStream systems include control box with air button and 50 ft. air tubing. 4" or 3" plumbing is required, depending upon the package chosen. Read all instructions before installing.

**Consult your physician before attempting any strenuous exercise. This product may not be challenging or satisfying for all levels of exercise.**

### Installation Specifications



### Color Options



Round covers are available in black, gray and white.

### Trademarks and Certifications



Complies with UL 1563  
CSA C22.2 No. 218.1-M89  
Swimming Pool Equipment  
Listing #E212148



VGB 2008

### Applications

- Perfect for in-ground & above-ground pools (Commercial & Residential)

# BADU® Stream II

## SwimJet System



### Pricing

#### Single Phase System with GFCI

Order #	Package	Description	List Price
<b>Square Cover</b>			
SS484-2400M-1SW	A	BaduStream SwimJet System complete consisting of <b>two</b> BaduStream Jet Housings with Adjustable Flow Nozzles, one 4.0 HP Pump Model 21-80/33GS and Control Box	\$ 5,213.00
SS484-1400M-1SW	B	BaduStream SwimJet System complete consisting of <b>one</b> BaduStream Jet Housing with Adjustable Flow Nozzle, one 4.0 HP Pump Model 21-80/33GS and Control Box	4,373.00
SS484-1350M-1SW	C	BaduStream SwimJet System complete consisting of <b>one</b> BaduStream Jet Housing with Adjustable Flow Nozzles, one 3.5 HP Pump Model 72-VI and Control Box	3,069.00
SS484-3400M-1SW	D	BaduStream SwimJet System complete consisting of <b>three</b> BaduStream Jet Housings with Adjustable Flow Nozzles, <b>two</b> 4.0 HP Pump Model 21-80/33GS, Control Box & <b>two</b> 4" Check Valves	8,826.00
<b>Round Cover</b>			
SS484-2400M-1RW	A	BaduStream SwimJet System complete consisting of <b>two</b> BaduStream Jet Housings with Adjustable Flow Nozzles, one 4.0 HP Pump Model 21-80/33GS and Control Box	5,213.00
SS484-1400M-1RW	B	BaduStream SwimJet System complete consisting of <b>one</b> BaduStream Jet Housing with Adjustable Flow Nozzle, one 4.0 HP Pump Model 21-80/33GS and Control Box	4,373.00
SS484-1350M-1RW	C	BaduStream SwimJet System complete consisting of <b>one</b> BaduStream Jet Housing with Adjustable Flow Nozzles, one 3.5 HP Pump Model 72-VI and Control Box	3,069.00
SS484-3400M-1RW	D	BaduStream SwimJet System complete consisting of <b>three</b> BaduStream Jet Housings with Adjustable Flow Nozzles, <b>two</b> 4.0 HP Pump Model 21-80/33GS, Control Box and <b>two</b> 4" Check Valves	8,826.00

(Please call Speck Customer Service at (800) 223-8538 for Three Phase Systems)



5' Massage Hose with Pulsator & Hand Grip



Nozzle Adjustment Tool

#### Accessories

Order #	Description	List Price
2308760004G	Round Gray Cover	\$ 65.10
2308760004B	Round Black Cover	65.10
2308750003B	Square Black Cover	65.10
2308752006K	Winter Cover Kit	38.40
2308750006	Butterfly Gasket (Steel Wall Option)	20.80
2301002000B	Black Air Regulator	55.20
2300003010	5' Massage Hose with Pulsator & Hand Grip	181.60
2300003310	15' Massage Hose with Pulsator & Hand Grip	286.80
2300022010	Cap with Hand Grip to Close one Nozzle	68.60
2300011200	BADU Swim Mirror - 24" x 32" polished stainless steel with PVC backing	302.00

### BADU® Swim Mirror

The BADU Swim Mirror has been specially designed to be the perfect "tool" to help swimmers stay in the "swim lane". The BADU Swim Mirror is light enough to easily place it on the bottom of the pool, but heavy enough to stay put while the BADU SwimJet System is running. It can easily be removed after a workout.

This single mirror should be placed about four feet from the BADU SwimJet nozzle. It is long enough for a swimmer to view their complete stroke. The edges are beveled to ensure there is no damage to the floor of the pool. The BADU Swim Mirror can be used in any type of pool.



See page 136-137 for replacement parts



# BADU<sup>®</sup>JET super-sport //



## SwimJet System



### Features

- Rectangular anti-entrapment cover (20" x 17") provides undetectable suction.
- Flush mounted, plastic housing with recessed jet nozzles, all controls are conveniently located on the face of the jet housing.
- Water volume control knob adjusts force of water leaving jet nozzles.
- Light (ON/OFF) pneumatic button turns low voltage light ON/OFF.
- Pump (ON/OFF) pneumatic button guarantees complete separation between pool water and pump motor control.
- Air regulator controls amount of air bubbles in water flow.
- Control Box with GFCI pneumatic button and tubing.
- Speck 4.0 HP self-priming plastic pump. UL Listed, single phase with thermal overload (*no motor start required*).
- The system comes with 5 ft. pulsating massage hose that can be attached to jet nozzle.
- **NEW for 2018:** System will include the nozzle adjustment tools to help set the jet nozzles in position for optimum performance
- Winter cover kit. (*Optional - Not Shown*)

### Trademarks and Certifications



Complies with UL 1563  
CSA C22.2 No. 218.1-M89  
Swimming Pool Equipment  
Listing #E212148



VGB 2008

### Installation

The Badujet is normally incorporated into the design, but it can be added to any pool at a later date. The Badujet has no protruding parts ensuring pool users' safety. Very compact, installs at minimal cost.

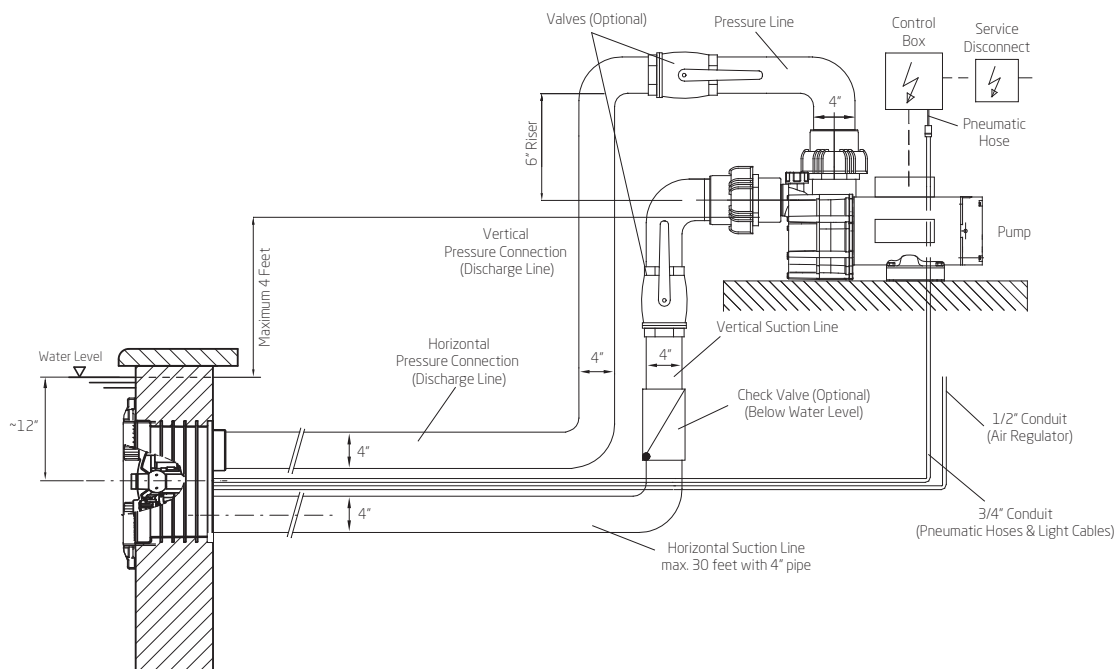
All Badujet systems include control box with relay, air switch, and air tubing. Minimum 4" plumbing is required. Pump and control box also available in 3 phase. Read all instructions before installing.

**Consult your physician before attempting any strenuous exercise. This product may not be challenging or satisfying for all levels of exercise.**

### Applications

- Perfect for in-ground & above-ground pools (Commercial & Residential)

### Installation Specifications



# BADU® JET super-sport //

## SwimJet System



### Pricing

#### Single Phase System with GFCI

Order #	Description	List Price
JS414-2400M-1SW	BaduJet super-sport SwimJet System complete consisting of Dual Nozzle Jet Housing LED Light, Massage Hose, 4.0 HP Pump Model 21-80/33GS and Control Box	\$7,321.00

(Please call Speck Customer Service at (800) 223-8538 for Three Phase Systems)



Winter Cover

Nozzle Adjustment Tool



#### Accessories

Order #	Description	List Price
2326000039K	Jet Nozzle Upgrade Kit (Perfect upgrade for swimjet systems sold between 1/2015-6/2016)	\$ 20.00
2300003310	Massage Hose with Pulsator 15' & Hand Grip	286.80
2300022010	Cap with Hand Grip to Close one Nozzle	68.60
2326000010K	Winter Cover Kit	220.40
2326000036	Multi-color LED light	186.10
2326000038	Blue LED light	186.10
2300011200	BADU Swim Mirror - 24" x 32" polished stainless steel with a PVC backing	302.00

### BADU® Swim Mirror

The BADU Swim Mirror has been specially designed to be the perfect "tool" to help swimmers stay in the "swim lane". The BADU Swim Mirror is light enough to easily place it on the bottom of the pool, but heavy enough to stay put while the BADU SwimJet System is running. It can easily be removed after a workout.

This single mirror should be placed about four feet from the BADU SwimJet nozzle. It is long enough for a swimmer to view their complete stroke. The edges are beveled to ensure there is no damage to the floor of the pool. The BADU Swim Mirror can be used in any type of pool.



See page 142-143 for replacement parts

# BADU<sup>®</sup>JET Imperial



## SwimJet System



### Features

- Flush mounted, plastic housing with recessed jet nozzles, all controls are conveniently located on the face of the jet housing.
- Stainless steel corrosion-proof anti-entrapment cover provides undetectable suction.
- Stainless steel handles make it easier to adjust the settings while the unit is running.
- Water volume control knob adjusts force of water leaving jet nozzles.
- Light (ON/OFF) pneumatic button turns low voltage light ON/OFF.
- Pump (ON/OFF) pneumatic button guarantees complete separation between pool water and pump motor control.
- Air regulator controls amount of air bubbles in water flow.
- Control Box with GFCI pneumatic button and tubing.
- Speck 4.0 HP self-priming plastic pump. UL Listed, single phase with thermal overload (*no motor start required*).
- The system comes with 5 ft. pulsating massage hose that can be attached to jet nozzle.
- **NEW for 2018:** System will include the nozzle adjustment tools to help set the jet nozzles in position for optimum performance
- Winter cover kit. (*Optional - Not Shown*)



### Trademarks and Certifications



VGB 2008

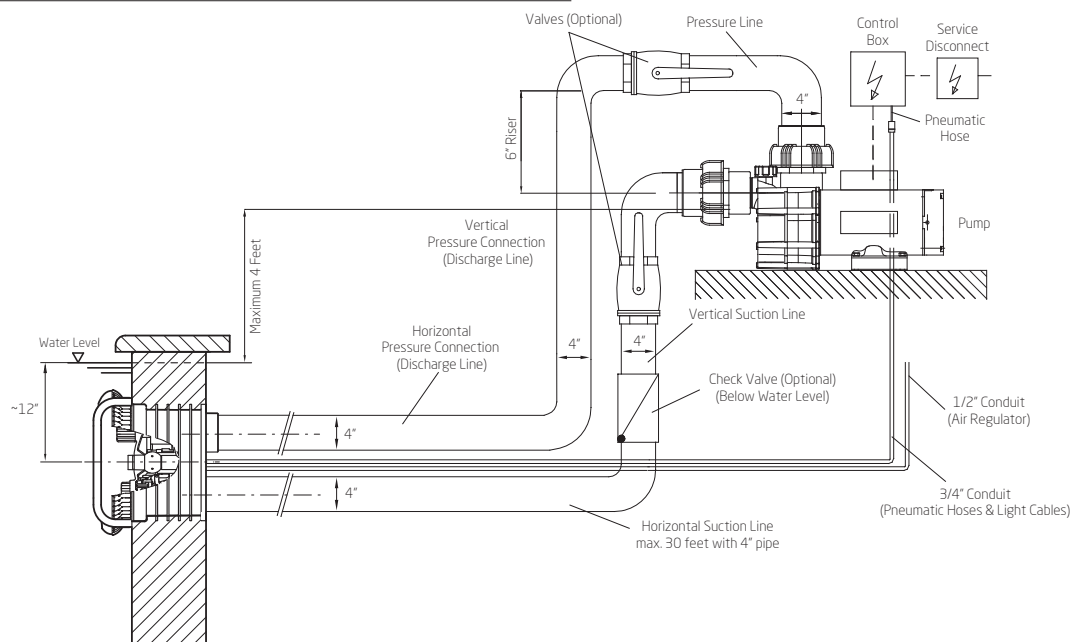
### Installation

The Badujet is normally incorporated into the design, but it can be added to any pool at a later date. The Badujet has no protruding parts ensuring pool users' safety. Very compact, installs at minimal cost.

All Badujet systems include control box with relay, air switch, and air tubing. Minimum 4" plumbing is required. Pump and control box also available in 3 phase. Read all instructions before installing.

**Consult your physician before attempting any strenuous exercise. This product may not be challenging or satisfying for all levels of exercise.**

### Installation Specifications



# BADU® JET Imperial

## SwimJet System



### Pricing

#### Single Phase System with GFCI

Order #	Description	List Price
<b><u>System without Hand Rail</u></b>		
JS421-8411F-100	BaduJet Imperial SwimJet System complete consisting of Dual Nozzle Jet Housing, LED Light, Stainless Steel Ring Cover, Massage Hose, Control Box, and 4.0 HP Pump Model 21-80/33GS	\$7,638.00
<b><u>System with Stainless Steel Hand Rail</u></b>		
JS421-2411F-100	BaduJet Imperial SwimJet System complete consisting of Dual Nozzle Jet Housing, LED Light, Stainless Steel Ring Cover and Hand Rail, Massage Hose, Control Box, and 4.0 HP Pump Model 21-80/33GS	8,038.00
JS421-2411F-1SS	BaduJet Imperial <b>Deluxe</b> SwimJet System complete consisting of Dual Nozzle Jet Housing. <b>All Stainless Steel</b> dual jet nozzles, controls, buttons, ring cover and hand rail. LED Light, Massage Hose, 4.0 HP Pump Model 21-80/33GS and Control Box	9,612.00

(Please call Speck Customer Service at (800) 223-8538 for Three Phase Systems)



Winter Cover



Nozzle Adjustment Tool

#### Accessories

Order #	Description	List Price
2326000039K	Jet Nozzle Upgrade Kit (Perfect for swimjet systems sold between 1/2015-6/2016)	\$ 20.00
2300003310	Massage Hose with Pulsator 15' & Hand Grip	286.80
2300022010	Cap with Hand Grip to Close one Nozzle	68.60
2326000010K	Winter Cover Kit	220.40
2326000036	Multi-color LED light	186.10
2326000038	Blue LED light	186.10
2300011200	BADU Swim Mirror - 24" x 32" polished stainless steel with a PVC backing	302.00

### BADU® Swim Mirror

The BADU Swim Mirror has been specially designed to be the perfect "tool" to help swimmers stay in the "swim lane". The BADU Swim Mirror is light enough to easily place it on the bottom of the pool, but heavy enough to stay put while the BADU SwimJet System is running. It can easily be removed after a workout.

This single mirror should be placed about four feet from the BADU SwimJet nozzle. It is long enough for a swimmer to view their complete stroke. The edges are beveled to ensure there is no damage to the floor of the pool. The BADU Swim Mirror can be used in any type of pool.



See page 144-147 for replacement parts

# BADU<sup>®</sup>JET Inspiration



## SwimJet System

### Features

- Two-piece body molded of a heavy duty ABS plastic immune to chemicals and environmental abuse, to provide a rugged and attractively styled water treadmill.
- Adjustable recessed jet nozzles.
- Light (ON/OFF) button turns low voltage light ON/OFF.
- Pump (ON/OFF) pneumatic button guarantees complete separation between pool water and pump motor control.
- Air regulator (OPEN/CLOSE) knob permits a controlled mixture of air into the water flow and creates a unique, invigorating, bubble effect. It will also add additional resistance to swim against.
- Includes approximately 14 ft. GFCI twist-lock cord.
- Speck 4.0 HP self-priming plastic pump. Single phase with thermal overload (*no motor start required*). (*Not Shown*)
- The system comes with 5 ft. pulsating massage hose that can be attached to jet nozzle.
- **NEW for 2018:** System will include the nozzle adjustment tools to help set the jet nozzles in position for optimum performance
- Packed in one carton on a pallet and shipped via truck line. Shipping weight is 115 lbs.



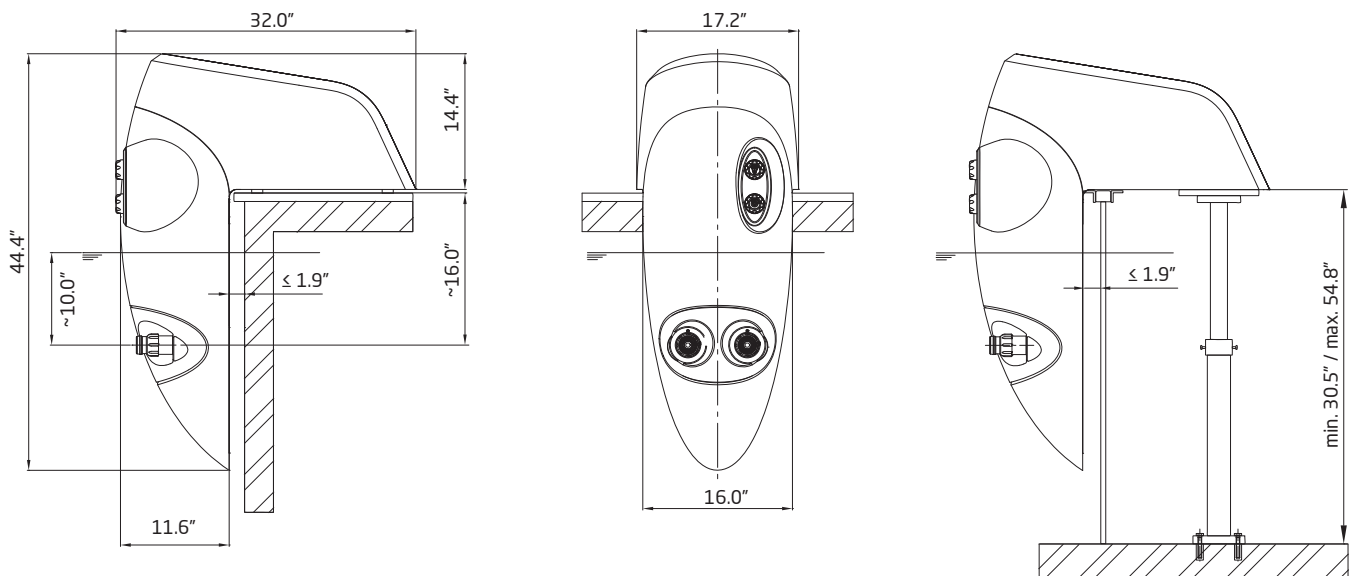
### Installation

The Badujet can be mounted over the wall of most pools with little installation, effort or cost.

This self-contained unit comes complete with pump, control box, electrical cord with GFCI and mounting hardware. The Badujet Inspiration requires no additional equipment for installation. Just supply pool, water and electricity. Pump and control are also available in 3 phase. Read all instructions before installing.

**Consult your physician before attempting any strenuous exercise. This product may not be challenging or satisfying for all levels of exercise.**

### Dimensional Drawing



### Trademarks and Certifications



Complies with UL 1563  
CSA C22.2 No. 218.1-M89  
Swimming Pool Equipment  
Listing #E212148



VGB 2008

### Applications

- Perfect for in-ground & above-ground pools (Commercial & Residential)

# BADU<sup>®</sup>JET Inspiration

## SwimJet System



### Pricing

#### Single Phase System with GFCI

Order #	Description	List Price
JS431-2411F-10W	BaduJet Inspiration is an Over-the-Wall SwimJet System with built-in LED Light, 4.0 HP Pump Model 21-80/33 GI. Unit comes complete with GFCI Control Box, Deck Mounting Hardware and GFCI protected cord.	\$4,676.00

### Accessories

Order #	Description	List Price
2300003310	Massage Hose with Pulsator 15' & Hand Grip	\$ 286.80
2300022010	Cap with Hand Grip to Close one Nozzle	68.60
0319851000	Telescopic Support Kit (Above-Ground Pools)	114.10
2319800861	Multi-color LED light	120.70
2300011200	BADU Swim Mirror - 24" x 32" polished stainless steel with a PVC backing	302.00

Nozzle Adjustment Tool



The BaduJet Inspiration with telescopic support for above-ground pools.

See page 148-151 for replacement parts





# Commercial Products

Our new lines of Commercial Products are setting new standards for energy efficiency and ease of installation. Engineered to ensure durability, superior high flow performance and quiet operation, these pumps are designed for use in commercial pools and spas, waterparks, aquatic centers and more.

# Product Overview



**NEW for 2018**

## Automated Flow System

Commercial Product  
Page 70



## Model 95

Swimming Pool Pump  
5.0 & 7.5 HP  
Page 72



## BADU Block & Normblock Multi

All Plastic - Commercial Pool Pump  
7.5, 10, 15 & 20 HP (1750 RPM)  
Page 74



## BADU Block & Normblock

Cast Iron or Bronze  
Commercial Pool Pump  
5 - 100 HP (1750 RPM)  
Page 76



## Speck/Vacon 100 Series

Variable Frequency Drives  
NEMA 12  
Page 78



## Speck/Vacon X5 Series

Variable Frequency Drives  
NEMA 4X  
Page 80



**NEW for 2018**

## Digital Flow Meter

Commercial Product  
Page 82



## BKP

Portable Filter System  
Page 83



## Filters

Commercial Products  
Page 84



## Equipment Packs

Commercial Product  
Page 86



## Control Boxes

Commercial Product  
Page 87

# AUTOMATED Flow System

## Commercial Products



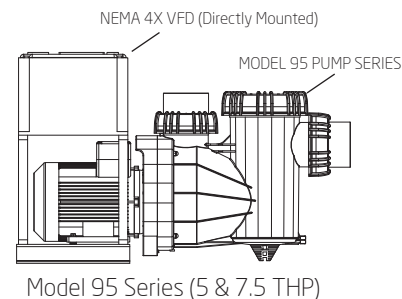
ALL NEW  
for  
**2018**



Monitoring and managing commercial flow requirements manually is a thing of the past. Speck Pumps New Automated Flow Systems™ gives customers the ability to “set it and forget it”. We accomplish this by integrating our line of commercial pumps with the finest in Variable Frequency Drives and Flow Meter technology. Each system is designed specifically for your project requirements. We can even pre-program the system before shipping to the job site or your location. With a Speck Pumps Automated Flow System™ on the job you can rest assured that the specific flow requirements are being met regardless of changing system conditions without the need for monitoring and manually adjustment saving time, energy and money.

## Features

- Any configuration available
- Horizontal & Vertical pump models (3 Phase with TEFC motor):
  - BADU® Block Series (5 - 100 THP) (Cast Iron or Bronze)
  - Normblock Series (5 - 100 THP) (Cast Iron or Bronze)
  - BADU® Block Multi Series (7.5, 10, 15, & 20 THP) (All Plastic)
  - Normblock Multi Series (7.5, 10, 15, & 20 THP) (All Plastic)
  - Model 95 Series (5 & 7.5 THP) (All Plastic)
- In-line systems: Are available with optional strainer tank.
- The vertical pump can be rotated for ease of plumbing.
- NEMA 12 and stand alone NEMA 4X VFDs available. (NEMA 12 has Multi-pump Control)
- Digital flow meters synced with VFDs to manage flow as required while saving energy.
- Optional: Pump & VFD can be pre programmed for plug-n-play.
- Complete line of filters & manifolds.



# AUTOMATED Flow Systems



## Commercial Products

### Pricing

Order #	Description	List Price
Call for part number	Customizable Automated Flow System - Pump, Filter, Flow Meter, Variable Frequency Drives, etc.	On request

Speck offers many different options for this system, please call Speck Customer Service at (800) 223-8538 for a quote.

Below is the information Speck Pumps will need to determine the best pump for your application:

#### Specifications about the Pump(s):

- Type of application: Commercial pools, water parks, water features, etc.
- Self-priming or flooded suction
- Gallons per minute (GPM)
- Total dynamic head (TDH)
- Net positive suction head (NPSH)
- 1750 or 3500 RPM motor at 60Hz
- 1450 or 2900 RPM motor at 50Hz
- Voltage, Cycles
- Type and size of connection
- Plastic, Bronze or Cast Iron Pump
- NSF 50 requirement

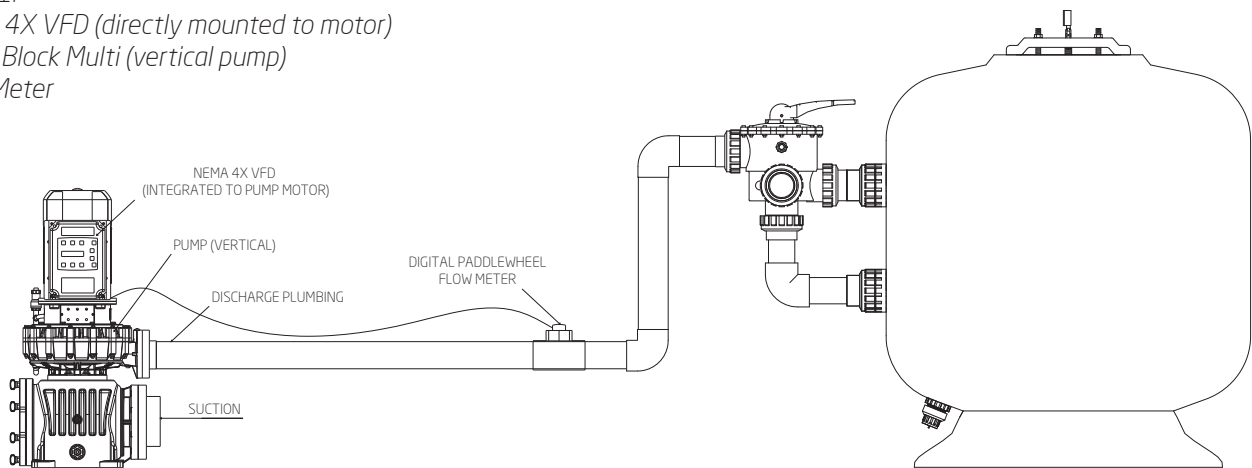
#### Specifications about the Filter(s):

- Type of Filter: Top mount, Side Mount, Horizontal
- Filter Size
- Manifolds, Valves
- Piping support, Stacking, Metal Racking
- Actuator and Controller

### Schematics

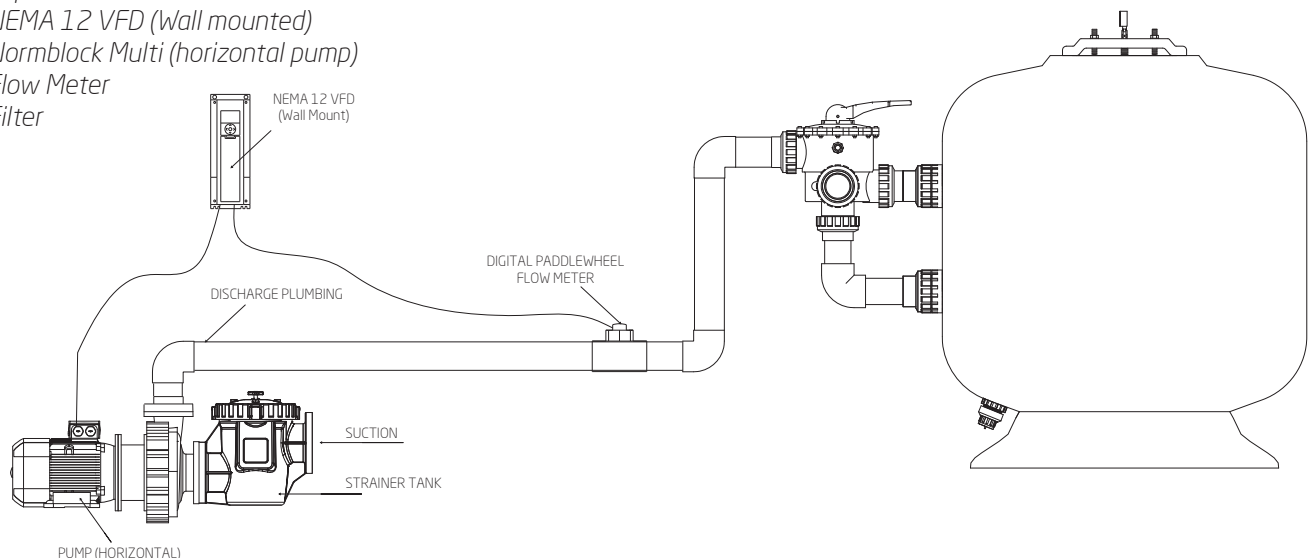
Example 1:

- NEMA 4X VFD (directly mounted to motor)
- BADU Block Multi (vertical pump)
- Flow Meter
- Filter



Example 2:

- NEMA 12 VFD (wall mounted)
- Normblock Multi (horizontal pump)
- Flow Meter
- Filter



# MODEL 95



## High Performance Plastic Commercial Pool Pump

### Features

- Largest one-piece housing design with integrated strainer basket and easy on/off two piece lid.
- Quiet and efficient medium head pump performance.
- This high performance pump comes complete with our unique mechanical shaft seal that allows the pump, if mistreated, to run dry for up to one hour.
- The pump can be used for pool water with a salt concentration of up to 5000 ppm.
- Suction and discharge are equipped with 4" quick disconnect unions for easy installation and maintenance.
- Wrench for unions and lid is included with each pump. Flanges are available on request.
- Available with a heavy duty energy efficient totally enclosed fan cooled (TEFC) or Open Drip Proof (ODP) motor designs. (Model 95-IX & Model 95-X requires a motor starter.)
- Motor is easy to remove without disturbing the plumbing. Reusable o-rings throughout.
- Two year warranty on the motor and all pump parts, including normal wear of the mechanical seal.
- Every pump is performance tested before leaving the Speck factory.



Model 95-X



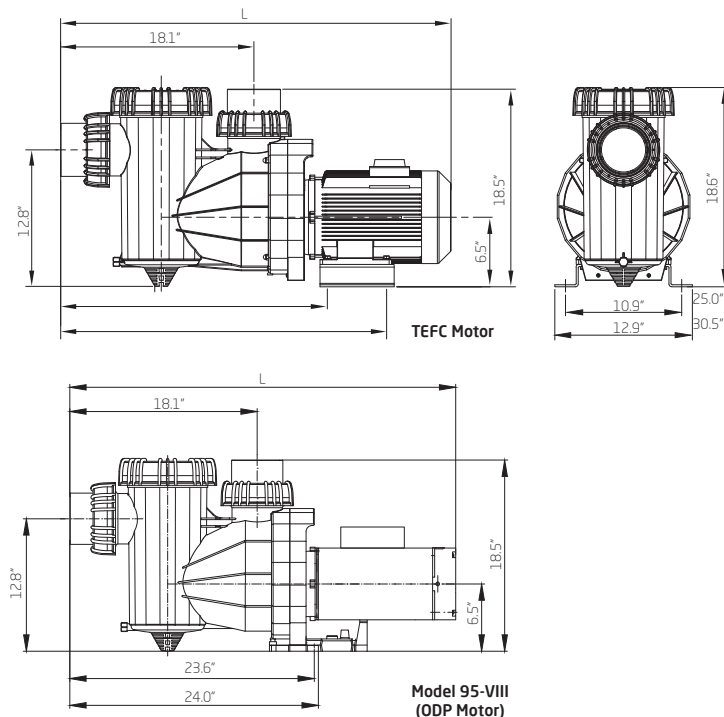
### Trademarks and Certifications



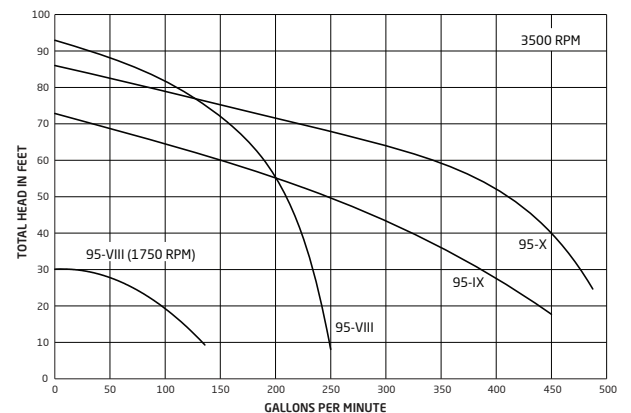
### Applications

- In-ground pools
- High rate sand filter applications
- Water Features

### Dimensional Drawing



### Performance Curves



MODEL	DIMENSION "L"	SHIPPING WEIGHT
95-VIII	36.8"	75 lbs.
95-IX	36.5"	140 lbs.
95-IX (3PH)	34.0"	100 lbs.
95-X (3PH)	36.5"	141 lbs.



# MODEL 95

## High Performance Plastic Commercial Pool Pump



### Pricing

#### Energy Efficient Single Speed

Order #	Model #	HP	S.F.	THP	Volts	Motor/Frame	Speed	List Price
IG274-1500M-000	95-VIII	4.0	1.25	5.0	208-230	EE*/ODP/56	single	\$2,169.00
IG274-1500F-000	95-IX	5.0	1.15	5.75	208-230	EE*/TEFC/112M	single	3,278.00
IG274-1750F-000	95-X	7.5	1.15	8.625	208-230	EE*/TEFC/112M	single	4,226.00

#### Premium Energy Efficient Two Speed

Order #	Model #	HP	S.F.	THP	Volts	Motor/Frame	Speed	List Price
IG271-2500M-000	95-VIII	4.0	1.25	5.0	230	EE*/ODP/56	2-speed	\$2,291.00

#### Three Phase Single Speed (Full Rated)

Order #	Model #	HP	S.F.	THP	Volts	Motor/Frame	Speed	List Price
IG273-1500M-000	95-VIII	4.0	1.25	5.0	208-230/460	ODP/56	single	\$2,281.00
IG273-1500F-000	95-IX	5.0	1.15	5.75	208-230/460	TEFC/112M	single	2,969.00
IG273-1750F-000	95-X	7.5	1.15	8.625	208-230/460	TEFC/112M	single	3,296.00

\*EE = Premium energy efficient motors.

**NOTE:** Models 95-VIII single phase and Model 95-VIII 2-speed are thermally protected. All other models requires a motor starter.



Speck offers a full line of motor starters for 0.5 to 7.5 HP, either single or three phase.



The Wrench offers a convenient and efficient way to open the strainer tank. The wrench also doubles as a tool to use on 3" & 4" unions.

### Accessories

Order #	Description	List Price
2902099800	Lid and Union wrench	\$ 48.90
25V24AXRM34	Motor starter, 5.0 HP, S.F. 1.15, 208-230V, single phase, Nema 4X, (Model 95-IX)	253.20
18V24AXR32	Motor starter, 5.0 HP, S.F. 1.15, 208-230V, 3 phase, Nema 4X (Model 95-IX)	241.80
50V24AXRM38	Motor starter, 7.5 HP, S.F. 1.15, 208-230V, single phase, Nema 4X (Model 95-X)	407.40
25V24AXR33	Motor starter, 7.5 HP, S.F. 1.15, 208-230V, 3 phase, Nema 4X (Model 95-X)	273.90

Additional high voltage models available upon request. Motor Starters are UL Listed in Canada and the United States. For others, please call Speck Customer Service at (800) 223-8538.



### Model 95 VS

The Model 95 VS incorporates an onboard NEMA 4X Speck / Vacon VFD providing variable speed technology in any corrosive environments. The Unit can be connected to a flow meter to provide constant flow.



See page 122-125 for replacement parts



# BADU® Block & Normblock Multi Series



## All Plastic Commercial Pool Pump 1750 RPM

### Features

- Superior slow (1750 rpm) running design reduces vibrations resulting in quiet operation.
- After installation, the discharge connection can be rotated freely. *(A major advantage at the construction site.)*
- The housing is made of high performance plastic (THK), corrosion resistant without elaborate internal coating and can be used with higher brine concentrations.
- Heavy duty energy efficient totally enclosed fan cooled (TEFC) motor, Class F insulation, protection class IP 55. Sealed ball bearings need no lubrication.
- The motor can be replaced without disassembling the pump. This design allows for the mechanical seal to remain in place.
- A high wear and rugged Carbon/SiC - EPDM mechanical seal allows for a long life and long maintenance intervals
- The closed impellers are individually balanced, providing smooth running conditions and guarantees a long operation life of the entire pump assembly.
- Stainless steel shaft with 316 stainless steel protective shaft sleeve.
- The pump comes with a full 12 month warranty.
- Every pump is tested to factory & customer's specifications.

*Please Note: The noise level from both the motor and pump are greatly influenced by how they are installed. Consideration should be given to minimize vibration and noise transmission.*

### Features Specific to BADU Block Multi Series

- This pump has a vertical design that creates impressive performance while saving space thereby reducing construction costs.
- All plastic strainer tank with stainless steel basket. *(Optional plastic basket available).*
- Each pump is equipped with outside circulation/air bleed piping, and includes an air valve, for automatic and manual air bleeding resulting in a long life of the mechanical seal.
- Optional integrated NEMA 4X Speck / Vacon VFD.

### Features Specific to Normblock Multi Series

- This pump has a robust horizontal single stage design.
- Optional all plastic strainer tank for horizontal flooded suction applications.



Normblock 65/250

BADU Block 100/250

### Trademarks and Certifications



### Applications

- Ideally suited for aquatic facilities, fountains, water parks, and pools with elevated salt concentration.
- Perfect with automated flow systems.
- Perfect for aquaculture.



*BADU Block with integrated NEMA 4X Speck / Vacon VFD.*



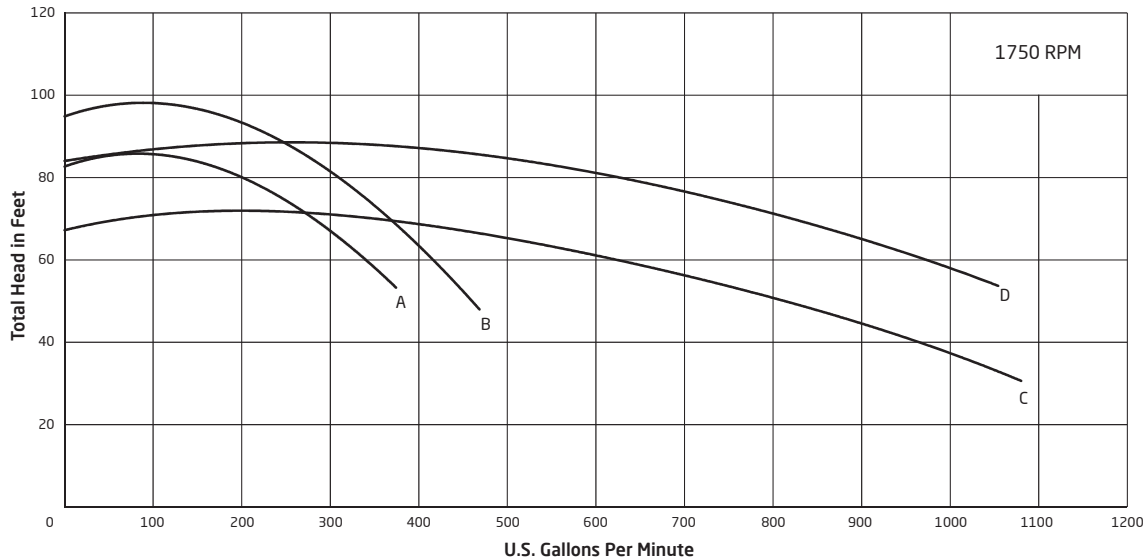
*Normblock with Strainer Basket  
The Normblock Pump with Strainer has very limited self priming capabilities. Please call for more information.*

# BADU<sup>®</sup> Block & Normblock Multi Series



All Plastic Commercial Pool Pump 1750 RPM

## Performance Curves



A. 65/250 (Ø 225mm) - 7.5 HP S.F. 1.25  
 B. 65/250 (Ø 240mm) - 10 HP S.F. 1.25

C. 100/250 (Ø 220mm) - 15 HP S.F. 1.25  
 D. 100/250 (Ø 240mm) - 20 HP S.F. 1.00

## Pricing

### BADU Block Multi Series

Order #	Model	HP	S.F.	Motor Data (Phase; Voltage)	Flange Sizes* Suction/Discharge	List Price
BB705-1007F-000	65/250	7.5	1.25	3 PH; 60 Hz; 208-230/460 V; TEFC	ANSI 6" / ANSI 3"	\$6,750.00
BB705-1010F-000	65/250	10	1.25	3 PH; 60 Hz; 208-230/460 V; TEFC	ANSI 6" / ANSI 3"	6,940.00
BB705-1015F-000	100/250	15	1.25	3 PH; 60 Hz; 208-230/460 V; TEFC	ANSI 8" / ANSI 4"	10,172.00
BB705-1020F-000	100/250	20	1.00	3 PH; 60 Hz; 208-230/460 V; TEFC	ANSI 8" / ANSI 4"	10,534.00

\*NOTE: Flange Kits are sold separately.

### Normblock Multi Series

Order #	Model	HP	S.F.	Motor Data (Phase; Voltage)	Flange Sizes* Suction/Discharge	List Price
NB715-1007F-000	65/250	7.5	1.25	3 PH; 60 Hz; 208-230/460 V; TEFC	ANSI 4" / ANSI 3"	\$4,984.00
NB715-1010F-000	65/250	10	1.25	3 PH; 60 Hz; 208-230/460 V; TEFC	ANSI 4" / ANSI 3"	5,175.00
NB715-1015F-000	100/250	15	1.25	3 PH; 60 Hz; 208-230/460 V; TEFC	ANSI 6" / ANSI 4"	7,544.00
NB715-1020F-000	100/250	20	1.00	3 PH; 60 Hz; 208-230/460 V; TEFC	ANSI 6" / ANSI 4"	7,907.00

\*NOTE: Flange Kits are sold separately.

### Normblock Accessories

Order #	Description	List Price
7363409031	Strainer Tank & Hardware for Normblock Model 65/250 (4" Suction / 4" Union Connection)	\$ 726.00
7319B05008	Strainer Tank & Hardware for Normblock Model 100/250 (6" Suction / 6" Pump Connection)	827.00

### Flange Kits

Order #	Description	List Price
7300000040A	ANSI 3" Flange Kit - Includes two-pieces ANSI class 150 flange, gasket and stainless steel bolts	\$ 118.00
7300000034A	ANSI 4" Flange Kit - Includes two-pieces ANSI class 150 flange, gasket and stainless steel bolts	164.40
7300000036A	ANSI 6" Flange Kit - Includes two-pieces ANSI class 150 flange, gasket and stainless steel bolts	237.40
7300000038A	ANSI 8" Flange Kit - Includes two-pieces ANSI class 150 flange, gasket and stainless steel bolts	312.00

See manual for replacement parts

# BADU<sup>®</sup> Block & Normblock Series



## Cast Iron or Bronze Commercial Pool Pump 1750 RPM

### Features

- Superior slow (1750 rpm) running design reduces vibrations resulting in quiet operation.
- After installation, the discharge connection can be rotated freely. (A major advantage at the construction site.)
- The housing is made of high performance plastic (THK), corrosion resistant without elaborate internal coating and can be used with higher brine concentrations.
- Heavy duty energy efficient totally enclosed fan cooled (TEFC) motor, Class F insulation, protection class IP 55. Sealed ball bearings need no lubrication.
- The motor can be replaced without disassembling the pump. This design allows for the mechanical seal to remain in place.
- A high wear and rugged Carbon/SiC - EPDM mechanical seal allows for a long life and long maintenance intervals.
- Each pump is equipped with outside circulation/air bleed piping, and includes an air valve, for automatic and manual air bleeding resulting in a long life of the mechanical seal.
- The closed impellers are individually balanced, providing smooth running conditions and guarantees a long operation life of the entire pump assembly.
- The inside of the strainer tank is coated with a dirt and corrosion resistant enamel.
- Stainless steel shaft with 316 stainless steel protective shaft sleeve.
- The pump is available in cast iron or bronze.
- The pump comes with a full 12 month warranty.
- Every pump is tested to factory & customer's specifications.

*Please Note: The noise level from both the motor and pump are greatly influenced by how they are installed. Consideration should be given to minimize vibration and noise transmission.*

### Features Specific to BADU Block Series

- This pump has a vertical design that creates impressive performance while saving space thereby reducing construction costs.
- After installation, the discharge connection can be rotated freely. (A major advantage at the construction site.)
- Each pump is equipped with outside circulation/air bleed piping, and includes an air valve, for automatic and manual air bleeding resulting in a long life of the mechanical seal.
- Optional integrated NEMA 4X Speck / Vacon VFD.

### Features Specific to Normblock Series

- This pump has a robust horizontal single stage design.
- Optional all plastic strainer tank for horizontal flooded suction applications.



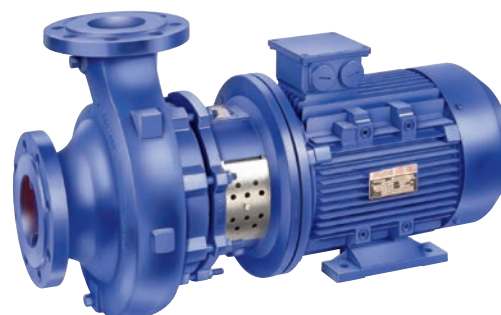
BADU Block 100/250

### Trademarks and Certifications



### Applications

- Ideally suited for aquatic facilities, fountains, water parks, aquaculture, and pools with elevated salt concentration.
- Perfect with automated flow systems.



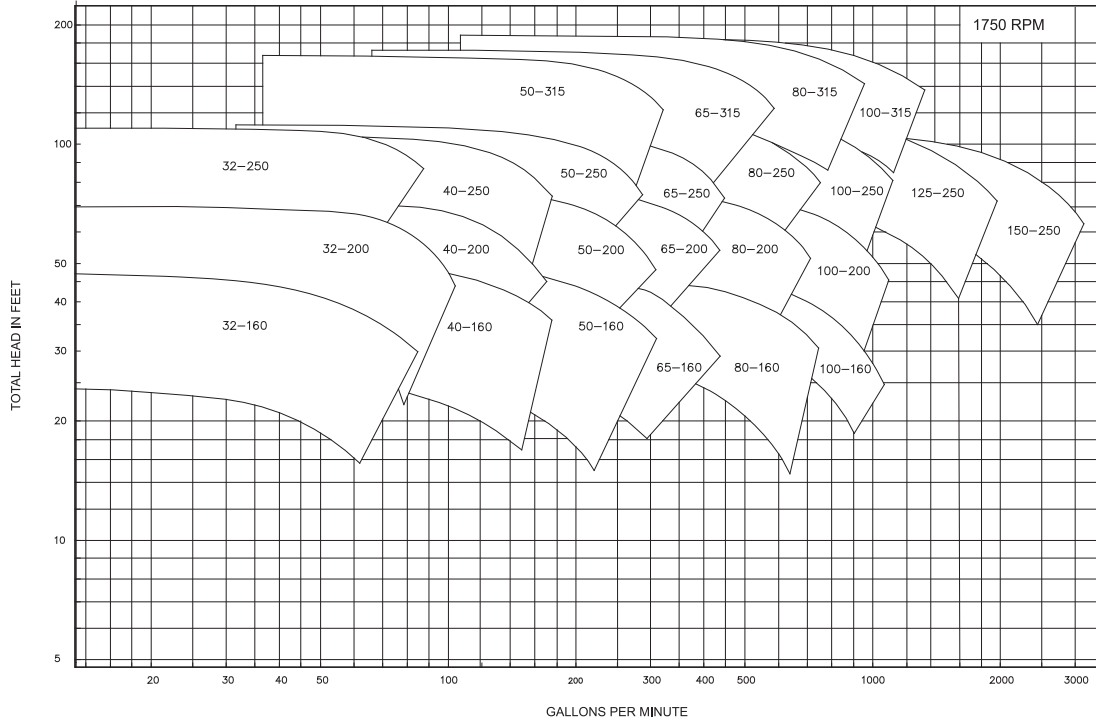
Normblock 80/200

# BADU® Block & Normblock Series



Cast Iron or Bronze Commercial Pool Pump 1750 RPM

## Performance Curves



## Pricing

Order #	Description	List Price
Call for part number	Badu Block, large vertically positioned single-stage centrifugal pump. Ranging from 5.0 to 100 HP, with TEFC 3 phase motor, with built-in strainer.	On request
Call for part number	Normblock, horizontally positioned single-stage centrifugal pump. Ranging from 5.0 to 100 HP, with TEFC 3 phase motor.	On request

**Speck offers many different options for this pump, please call Speck Customer Service at (800) 223-8538 for a quote.**

Below is the information Speck Pumps will need to determine the best pump for your application:

- Type of application: Commercial pools, water parks, water features, etc.
- Self-priming or flooded suction
- Gallons per minute (GPM)
- Total dynamic head (TDH)
- Net positive suction head (NPSH)
- 1750 or 3500 RPM motor at 60Hz
- 1450 or 2900 RPM motor at 50Hz
- Voltage, Cycles
- Type and size of connection
- Bronze or Cast Iron
- NSF 50 requirement



Every pump is performance-tested to factory and customer specifications.

See manual for replacement parts

# SPECK / VACON 100 Flow Series



## Variable Frequency Drive

### Features

- The Vacon 100 series is designed to meet and exceed even the most stringent requirement of the commercial pool industry.
- Does not require a factory technician to be commissioned.
- Guided Start-Up: Simplifies initial programming
- Motor and Drive are protected against voltage spikes, phase imbalance and power surges.
- Real time clock feature
- Efficiency ratings greater than 98%
- Smooth motor acceleration/deceleration
- Overload trip protection
- Built-in memory
- Drive included all necessary hardware, I/O and communication features without the need to purchase any additional equipment
- LCD graphical keypad with intuitive wizards, built-in help text, and a user friendly interface.
- Speck Vacon 100 series have a typical 10 years or more service life, reducing maintenance cost and are environmentally friendly for easy recycling.
- The VFD comes with a full 12 month warranty.

### Optional Integrated Drive Supply Switch: (for 0.8 HP - 30 HP)

- The drive's main supply can be disconnected and locked during maintenance work. Provides safety during maintenance.
- Saves on investment costs and space. The added cost of a separate box is eliminated.
- PID controllers for accurate process control.
- Integrated Harmonics Filters



### Trademarks and Certifications



### Applications

- Perfect match for commercial pools (indoor & outdoors)
- NEMA 12

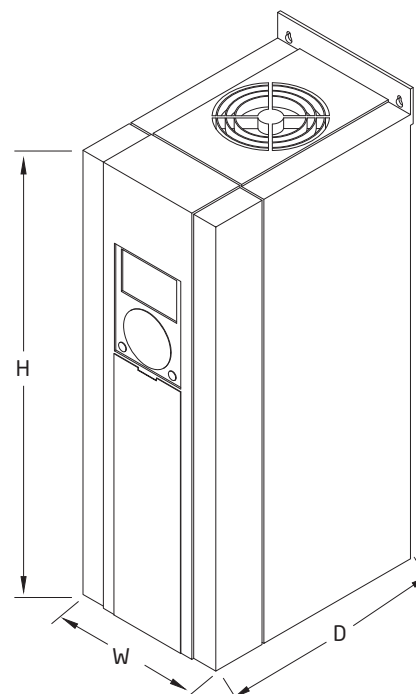
Vacon 100 Flow Series with Switch



### Technical Data

FRAME SIZE	HEIGHT "H"	WIDTH "W"	DEPTH "D"	SHIPPING WEIGHT
MR4	12.9"	5.0"	7.5"	13 lbs.
MR5	16.5"	5.7"	8.4"	22 lbs.
MR6	21.9"	7.7"	9.0"	44 lbs.
MR7	26.0"	9.3"	10.2"	83 lbs.
MR8	38.0"	11.4"	13.5"	146 lbs.
MR9	45.3"	18.9"	14.4"	238 lbs.

NOTE: For models with the switch add 5" to the Depth (D)





# SPECK / VACON 100 Flow Series



## Variable Frequency Drive

### Pricing

#### Models without the Integrated Drive Supply Switch

##### Three Phase input to Three Phase output, 50/60 Hz

Order #	Model #	Enclosure	HP	Amps	Volts	Frame Size	List Price
2971540032F	VFD	NEMA 12	0.75	3.7	208-240	MR4	\$1,710.00
2971540042F	VFD	NEMA 12	1.0	4.8	208-240	MR4	1,751.00
2971540072F	VFD	NEMA 12	1.5	6.6	208-240	MR4	1,808.00
2971540082F	VFD	NEMA 12	2.0	8.0	208-240	MR4	1,905.00
2971540112F	VFD	NEMA 12	3.0	11.0	208-240	MR4	2,089.00
2971540182F	VFD	NEMA 12	5.0	18.0	208-240	MR5	2,531.00
2971540242F	VFD	NEMA 12	7.5	24.0	208-240	MR5	2,839.00
2971540312F	VFD	NEMA 12	10.0	31.0	208-240	MR5	3,356.00
2971540482F	VFD	NEMA 12	15.0	48.0	208-240	MR6	4,586.00
2971540622F	VFD	NEMA 12	20.0	62.0	208-240	MR6	5,475.00
2971540752F	VFD	NEMA 12	25.0	75.0	208-240	MR7	6,998.00
2971540882F	VFD	NEMA 12	30.0	88.0	208-240	MR7	8,006.00
2971540035F	VFD	NEMA 12	1.5	3.4	380-500	MR4	1,650.00
2971540045F	VFD	NEMA 12	2.0	4.8	380-500	MR4	1,781.00
2971540055F	VFD	NEMA 12	3.0	5.6	380-500	MR4	1,909.00
2971540095F	VFD	NEMA 12	5.0	9.6	380-500	MR4	2,314.00
2971540125F	VFD	NEMA 12	7.5	12.0	380-500	MR4	2,591.00
2971540165F	VFD	NEMA 12	10.0	16.0	380-500	MR5	3,064.00
2971540235F	VFD	NEMA 12	15.0	23.0	380-500	MR5	3,701.00
2971540315F	VFD	NEMA 12	20.0	31.0	380-500	MR5	4,421.00
2971540385F	VFD	NEMA 12	25.0	38.0	380-500	MR6	5,854.00
2971540465F	VFD	NEMA 12	30.0	46.0	380-500	MR6	6,694.00

\*Please check amps on the nameplate of the motor.

Additional Models (40 HP up to 125 HP) are available upon request. Please call Speck Customer Service at (800) 223-8538.

#### Models with the Integrated Drive Supply Switch

##### Three Phase input to Three Phase output, 50/60 Hz

Order #	Model #	Enclosure	HP	Amps	Volts	Frame Size	List Price
2971540032FS	VFD	NEMA 12	0.8	3.7	208-240	MR4	\$2,186.00
2971540042FS	VFD	NEMA 12	1.0	4.8	208-240	MR4	2,228.00
2971540072FS	VFD	NEMA 12	1.5	6.6	208-240	MR4	2,280.00
2971540082FS	VFD	NEMA 12	2.0	8.0	208-240	MR4	2,423.00
2971540112FS	VFD	NEMA 12	3.0	11.0	208-240	MR4	2,565.00
2971540182FS	VFD	NEMA 12	5.0	18.0	208-240	MR5	3,184.00
2971540242FS	VFD	NEMA 12	7.5	24.0	208-240	MR5	3,488.00
2971540312FS	VFD	NEMA 12	10.0	31.0	208-240	MR5	4,009.00
2971540482FS	VFD	NEMA 12	15.0	48.0	208-240	MR6	5,378.00
2971540622FS	VFD	NEMA 12	20.0	62.0	208-240	MR6	6,266.00
2971540752FS	VFD	NEMA 12	25.0	75.0	208-240	MR7	7,909.00
2971540882FS	VFD	NEMA 12	30.0	88.0	208-240	MR7	8,918.00
2971540035FS	VFD	NEMA 12	1.5	3.4	380-500	MR4	2,126.00
2971540045FS	VFD	NEMA 12	2.0	4.8	380-500	MR4	2,258.00
2971540055FS	VFD	NEMA 12	3.0	5.6	380-500	MR4	2,385.00
2971540095FS	VFD	NEMA 12	5.0	9.6	380-500	MR4	2,790.00
2971540125FS	VFD	NEMA 12	7.5	12.0	380-500	MR4	3,068.00
2971540165FS	VFD	NEMA 12	10.0	16.0	380-500	MR5	3,713.00
2971540235FS	VFD	NEMA 12	15.0	23.0	380-500	MR5	4,354.00
2971540315FS	VFD	NEMA 12	20.0	31.0	380-500	MR5	5,070.00
2971540385FS	VFD	NEMA 12	25.0	38.0	380-500	MR6	6,641.00
2971540465FS	VFD	NEMA 12	30.0	46.0	380-500	MR6	7,481.00

\*Please check amps on the nameplate of the motor.

See manual for replacement parts



# SPECK / VACON X5 SERIES



## Variable Frequency Drive

### Features

- The Vacon X5 series is designed for harsh environments without the need for an additional enclosure.
- Does not require a factory technician to be commissioned.
- Guided Start-Up: Simplifies initial programming
- Motor and Drive are protected against voltage spikes, phase imbalance and power surges.
- Real time clock feature
- Efficiency ratings greater than 98%
- Smooth motor acceleration/deceleration
- Overload trip protection
- Built-in memory
- Drive included all necessary hardware, I/O and communication features without the need to purchase any additional equipment
- LCD graphical keypad with intuitive wizards, built-in help text, and a user friendly interface.
- Speck Vacon X5 series have a typical 20 years or more service life, reducing maintenance cost and are environmentally friendly for easy recycling.
- The VFD comes with a 3 year warranty.



### Trademarks and Certifications

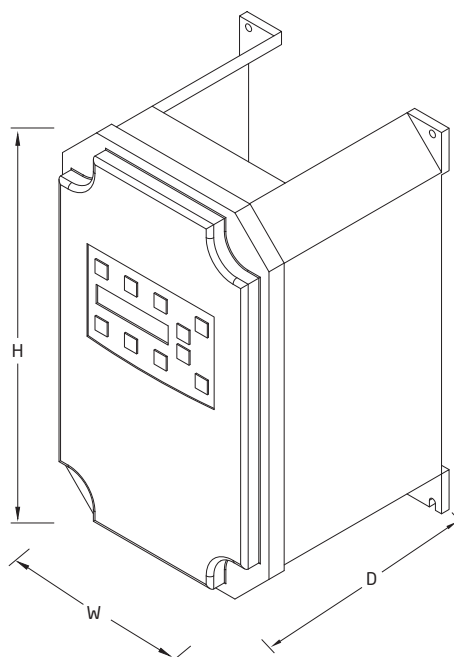


### Applications

- Perfect match for commercial pools (indoor & outdoors)
- NEMA 4X

### Technical Data

FRAME SIZE	HEIGHT "H"	WIDTH "W"	DEPTH "D"	SHIPPING WEIGHT
F0	9.47"	6.50"	6.08"	9 lbs.
F1	12.01"	8.72"	6.51"	14 lbs.
F2	17.38"	10.75"	7.91"	30 lbs.
F3	20.19"	11.19"	11.73"	50 lbs.
F4	29.35"	12.84"	13.80"	95 lbs.
F5	50.77"	16.31"	16.88"	305 lbs.



# SPECK / VACON X5 SERIES



## Variable Frequency Drive

### Pricing

#### Single Phase input to Three Phase output, 200-230 VAC

Order #	Model #	Enclosure	HP	kW	Amps	Frame Size	List Price
29752S0050	VFD	IP66/NEMA 4X	5.0	4.0	15.2	F1	\$3,848.00
29752S0100	VFD	IP66/NEMA 4X	10.0	7.5	28.0	F2	5,314.00
29752S0150	VFD	IP66/NEMA 4X	15.0	11.0	42.0	F3	10,421.00

#### Three Phase input to Three Phase output, 200-230 VAC

Order #	Model #	Enclosure	HP	kW	Amps	Frame Size	List Price
2975201009	VFD	IP66/NEMA 4X	1.0	0.75	4.2	F0	\$2,306.00
2975202009	VFD	IP66/NEMA 4X	2.0	1.5	6.8	F0	2,629.00
2975203009	VFD	IP66/NEMA 4X	3.0	2.2	9.6	F0	2,891.00
2975205009	VFD	IP66/NEMA 4X	5.0	4.0	15.2	F1	3,581.00
2975207509	VFD	IP66/NEMA 4X	7.5	5.5	22.0	F1	4,155.00
2975210009	VFD	IP66/NEMA 4X	10.0	7.5	28.0	F2	4,946.00
2975215009	VFD	IP66/NEMA 4X	15.0	11.0	42.0	F2	6,139.00
2975200200	VFD	IP66/NEMA 4X	20.0	15.0	54.0	F3	8,145.00
2975200250	VFD	IP66/NEMA 4X	25.0	18.5	68.0	F3	9,986.00

#### Three Phase input to Three Phase output, 380-480 VAC

Order #	Model #	Enclosure	HP	kW	Amps	Frame Size	List Price
2975401009	VFD	IP66/NEMA 4X	1.0	0.75	2.1	F0	\$2,408.00
2975402009	VFD	IP66/NEMA 4X	2.0	1.5	3.4	F0	2,756.00
2975403009	VFD	IP66/NEMA 4X	3.0	2.2	4.8	F0	3,045.00
2975405009	VFD	IP66/NEMA 4X	5.0	4.0	7.6	F1	3,754.00
2975407509	VFD	IP66/NEMA 4X	7.5	5.5	11.0	F1	4,350.00
2975410009	VFD	IP66/NEMA 4X	10.0	7.5	14.0	F1	5,003.00
2975415009	VFD	IP66/NEMA 4X	15.0	11.0	21.0	F2	5,955.00
2975420009	VFD	IP66/NEMA 4X	20.0	15.0	27.0	F2	7,118.00
2975425009	VFD	IP66/NEMA 4X	25.0	18.5	34.0	F2	8,828.00
2975430009	VFD	IP66/NEMA 4X	30.0	22.0	40.0	F2	10,913.00
2975400400	VFD	IP66/NEMA 4X	40.0	30.0	52.0	F3	13,920.00
2975400500	VFD	IP66/NEMA 4X	50.0	37.0	65.0	F3	17,468.00
2975400600	VFD	IP66/NEMA 4X	60.0	45.0	77.0	F4	22,035.00
2975400750	VFD	IP66/NEMA 4X	75.0	55.0	96.0	F4	25,020.00
2975401000	VFD	IP66/NEMA 4X	100.0	75.0	124.0	F4	28,691.00
2975401250	VFD	IP66/NEMA 4X	120.0	90.0	156.0	F5	32,595.00
2975401500	VFD	IP66/NEMA 4X	150.0	110.0	180.0	F5	35,809.00
2975402000	VFD	IP66/NEMA 4X	200.0	132.0	240.0	F5	43,613.00



Designed for harsh environments.

See manual for replacement parts

# DIGITAL FLOW METERS



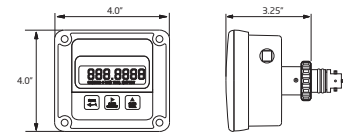
## Commercial Products

### Features

- The paddlewheel flow meters are designed to be inserted into closed fluid systems to monitor flow. The paddlewheel sensor relays flow information to either an LCD digital display screen, or through wiring to user provided equipment.
- Water Ranges: 0.4 to 8000 GPM (1 to 27000 LPM)
- Pipe Sizes: 3/8", up to 12"
- Easy to read 8 digit LCD, up to 4 decimal positions
- Flow rate and Total flow display
- AC/DC transformer or battery operated (RT models only). 4 AA batteries
- Factory programmed with calibration certificate
- Front panel security lockout
- Total reset function can be disabled
- Weather resistant ABS enclosure. NEMA 4X
- Sensor, Pipe, Panel or Wall mount options available. Up to 200 ft. range.
- Custom calibration units available. Contact the factory.
- Standard models ship with pipe fitting.



### Dimensional Drawing



Note: LCD is not recommended for direct sunlight applications.

#### Schedule 40

Order #	Description	List Price
7411500004*	Flow Meter 1.5" Complete	\$ 1,554.00
7412000004*	Flow Meter 2.0" Complete	1,554.00
7413000004*	Flow Meter 3.0" Complete	1,554.00
7414000004*	Flow Meter 4.0" Complete	1,684.00
7416000004*	Flow Meter 6.0" Complete	1,684.00
7418000004*	Flow Meter 8.0" Complete	1,684.00
7411000004*	Flow Meter 10.0" Complete	1,710.00
7411200004*	Flow Meter 12.0" Complete	1,710.00

\*Please Note: Flow Meter comes with panel mount, saddle kit, transformer, cable, and sensor.

#### Schedule 80

Order #	Description	List Price
7411500008*	Flow Meter 1.5" Complete	\$ 1,554.00
7412000008*	Flow Meter 2.0" Complete	1,554.00
7413000008*	Flow Meter 3.0" Complete	1,554.00
7414000008*	Flow Meter 4.0" Complete	1,684.00
7416000008*	Flow Meter 6.0" Complete	1,684.00
7418000008*	Flow Meter 8.0" Complete	1,684.00
7411000008*	Flow Meter 10.0" Complete	1,710.00
7411200008*	Flow Meter 12.0" Complete	1,710.00

\*Please Note: Flow Meter comes with panel mount, saddle kit, transformer, cable, and sensor.

#### Optional Mounting Kits

Order #	Description	List Price
7430100000	Wall Mount Kit	\$ 123.60
7430200000	Pipe Mount Kit for 1.5" pipe	123.60
7430300000	Pipe Mount Kit for 2.0" pipe	123.60
7430400000	Pipe Mount Kit for 3.0" pipe	123.60
7430500000	Pipe Mount Kit for 4.0" pipe	123.60
7430600000	Pipe Mount Kit for 6.0" pipe	123.60
7430700000	Pipe Mount Kit for 8.0" pipe	123.60
7441400000	Pipe Mount Kit for 10.0" pipe	123.60
7441500000	Pipe Mount Kit for 12.0" pipe	123.60



## Portable Filter System

### Features

- The BKP Portable Filter clears up bad water problems quickly without wasting water, heat, and chemicals.
- All units are completely equipped and can be moved easily around a pool or to a different pool site.
- Speck 1.0 HP pump Model 433-II with large strainer basket.
- SureSafe™ filter lid closure eliminates air entrapments.
- A 50 ft. power cord with GFCI plug, 115V.
- Stainless steel electric cord bracket.
- ON/OFF switch at the pump
- A 25 ft. drain hose (1.5")
- 1.5" hose adaptors with stainless steel clamps.
- Harmsco Single Cartridge Filter
- All stainless steel cart construction.
- Wheels with ball bearings and non-marring rubber tires.
- Protective stainless steel brackets to help protect pump strainer and motor end.
- Also available with 50% larger cartridge for longer filter runs.
- Two year warranty on all parts, including normal wear of the mechanical seal. All single speed motors also carry a two year warranty. The Harmsco filter comes with its own 10 year prorated limited warranty.



### Trademarks and Certifications



### Applications

- Perfect match for commercial use

### Technical Data

Model Pump/Filter	Filtration Area	THP	Full Rate HP	S.F.	Pipe Size	Height (Inches)	Shipping Weight
433-II/BKP105	105 sq. ft.	1.0	0.75	1.50	1.5"	46.0"	115 lbs.
433-II/BKP155	155 sq. ft.	1.0	0.75	1.50	1.5"	55.0"	125 lbs.

NOTE: Both models are packed in one carton on a pallet and shipped via truck line.

### Pricing

Order #	Description	List Price
FC546-1100M-OCI	Speck Pump Model 433-II, 1.0 THP, 115V, 50' Power cord with GFCI plug, ON/OFF switch, 25' Drain hose, Harmsco BF 105 Filter and Cart.	\$ 3,814.00
FC546-1100M-OCJ	Speck Pump Model 433-II, 1.0 THP, 115V, 50' Power cord with GFCI plug, ON/OFF switch, 25' Drain hose, Harmsco BF 155 Filter and Cart.	4,006.00

See manual for replacement parts

# COMMERCIAL FILTERS



## Filters & Systems

### Pricing

#### Vertical Filters

##### HRV Series



Order #	Description	List Price
22207248	HRV 24" MEDIA FILTER - 2" connections	On request
22207248A	HRV 24" MEDIA FILTER - 2" connections with 2" Valve	
22207308	HRV 30" MEDIA FILTER - 2" connections	
22207308A	HRV 30" MEDIA FILTER - 2" connections with Valve	
22207368	HRV 36" MEDIA FILTER - 2" connections	
22207368A	HRV 36" MEDIA FILTER - 2" connections with Valve	

#### SM-Series Filters



Order #	Description	List Price
220042341	SM1050 42" - 3" connections 58 PSI	On request
220048241	SM1200 48" - 3" connections 58 PSI	
TBD	SM1200 48" - 4" connections 58 PSI	
2200366584USA	SM36 - SIDE MOUNT FILTER - 8" NECK SHORT w/ 2.5" connections	
2200368084USA	SM36 - SIDE MOUNT FILTER - 8" NECK SHORT w/ 3" connections	
22004280124USA	SM42 - 42" SIDE MOUNT FILTER - 12" NECK w/ 3" connections	
22004880124USA	SM48 - 48" SIDE MOUNT FILTER - 12" NECK w/ 3" connections	

#### SMDD-Series Filters - (48" Bed Depth)



Order #	Description	List Price
224910508014USA	SMDD1050 42" Deep Bed Filter - 3" connections 58 PSI	On request
224912008014USA	SMDD1200 48" Deep Bed Filter - 3" connections 58 PSI	
TBD	SMDD1200 48" Deep Bed Filter - 4" connections 58 PSI	
2249140010014USA	SMDD1400 55" Deep Bed Filter - 4" connections 58 PSI	
2249160010014USA	SMDD1600 63" Deep Bed Filter - 4" connections 58 PSI	
224918041501USA	SMDD1800 71" Deep Bed Filter - 6" connections 58 PSI	
2249200015041	SMDD2000 79" Deep Bed Filter - 6" connections 58 PSI	
22492200154USA	SMDD2200 88" Deep Bed Filter - 6" connections 58 PSI	
22492350154USA	SMDD2350 93" Filter - 6" connections 58 PSI	
TBD	SMDD2350 93" Filter - 8" connections 58 PSI	
22492500154USA	SMDD2500 99" Filter - 6" connections 58 PSI	
TBD	SMDD2500 99" Filter - 8" connections 58 PSI	

#### Horizontal Filters

##### M-Series Filters



Order #	Description	List Price
22290104USA	Micron Horizontal M2500 50" x 88" w/4" ANSI 4 BAR 27.5 SF	On request
22290154USA	Micron Horizontal M3750 50" x 127" w/6" ANSI 4 BAR 38 SF	
22290200USA	Micron Horizontal M5000 50" x 166" w/6" ANSI 4 BAR 51.4 SF	

# COMMERCIAL FILTERS



## Filter & Systems

### Pricing



#### Horizontal Filters

Order #	Description	List Price
2228075	Micron Horizontal 42" x 75" 19.6 SF	On request
2228091	Micron Horizontal 42" x 91" 24 SF	
22280106	Micron Horizontal 42" x 106" 28.2 SF	
22280120	Micron Horizontal 42" x 120" 32.2 SF	
2229075	Micron Horizontal 48" x 75" 22.1 SF	
2229091	Micron Horizontal 48" x 91" 27.6 SF	
22290106	Micron Horizontal 48" x 106" 32.4 SF	
22290120	Micron Horizontal 48" x 120" 37 SF	

Please Specify M/H Left or Right when ordering



#### MD-Series Filters

Order #	Description	List Price
222905000USA	Micron Deep MD5000 79" x 128" 4 BAR, w/6" 54.5 SF	On request
222905500USA	Micron Deep MD5500 79" x 128" 4 BAR, w/8" 59.5 SF	
22290254USA	Micron Deep MD6500 79" x 148" 4 BAR, w/8" 71 SF	
222908000480US	Micron Deep MD7900 79" x 178" 4 BAR, w/8" 88.3 SF	
2229040410USA	Micron Deep MD10000 79" x 220" 4 BAR, w/10" 110 SF	

#### Multicyclone Centrifugal Pre-Filter

Order #	Description	List Price
200392	Multicyclone 70XL - 4" connections	On request

#### Accessories

Order #	Description	List Price
W22345	Dual Pressure Gauge - Differential Pressure	On request

Also Available Manifolds, Valves, Piping Supports, Stacking, Metal Racking, Actuators, and Controllers





# EQUIPMENT PACKS



for Swim-Spas, In-ground Spas & Swimming Pools

## Features

- The ultimate two or three pump Speck Equipment Pack is compact, dependable, versatile, fully automatic, and the perfect match for a BADU® SwimJet System.
- Installation is made easy with this pre-wired and pre-plumbed equipment pack.
- The GFCI protected packs, mounted on our unique thermoplastic forklift base (4' x 4'), have all the needed features.
- Motor and Drive are protected against voltage spikes, phase imbalance and power surges.
- Speck Equipment packs can be fully customized to fit your needs.
- Speck 4.0 HP Model 21-80/33 GS swimjet pump, Speck 2.5 HP Model 72-V spa/maintenance pump, and/or Speck 0.75 HP Model S90-I maintenance pump.
- Cartridge filters (*choice of makes available*)
- Motorized maintenance valves (*Model 750 only*)
- 4", 3" or 2" PVC plumbing connections available
- Heater plumbing connections
- 2" unions on valves, filter and filter pump
- 3" unions on the Model 72-V
- 4" unions on the Model 21-80/33 GS
- Mounting hardware, stainless steel
- Control Box Features:
  - Weatherproof, lockable plastic box
  - 125 Amp load center, 4 wire service
  - GFCI protected through 60 amp main breaker
  - Line connections, heater 115V (for electronic ignition)
  - Line connections, lights 115V
  - Time Clocks
  - Air switches for equipment operation of: (varies by pack model)
    1. Lights
    2. Motorized valves - pool or spa function
    3. SwimJet pump
    4. Spa pump
    5. Maintenance pump



Model 750-42

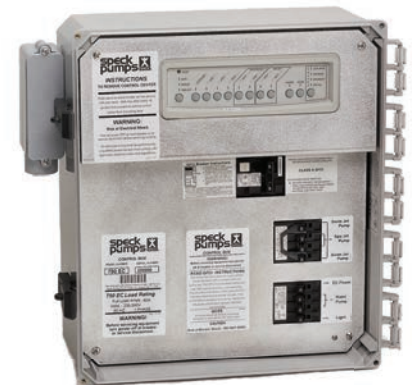
## Trademarks and Certifications



Spa/Maintenance pumps are UL listed and NSF compliant. Swimjet pumps are UL listed. The controls are NRTL Listed # E212034 (complies with UL 508A Standard)

## Applications

- Perfect match for commercial swim spas (indoor & outdoors)
- In-ground spa & swim pools



Example of the control box with Jandy® System. Designed to control pool and/or spa from in house or spa side.

## Model 750-42

### For Dual Body Swim-Spas and Spa & Swim Pool Combinations

This is a full feature, builder ready equipment pack. Fully equipped with a 4.0 HP SwimJet pump, 2.5 HP Spa pump, 0.75 HP Maintenance pump, 120 sq. ft. cartridge filter with heater, and light connections. Motorized valves, time clock, and unions. Pre-plumbed and pre-wired. All components are GFCI protected.

## Pricing

Order #	Description	List Price
Call for part number	Speck Equipment Packs, fully customizable to fit your needs	On request

# CONTROL BOXES

For SwimJet Systems & Equipment Packs



## Features

- The control box is the perfect way to operate your equipment.
- Manufactured from high quality plastic materials and is developed with safety in mind.
- Most control boxes are GFCI protected
- Designed for use with air buttons or automated control systems.
- NTRL Listed #E110213 (complies with UL508A Standard)
- The control box comes with a full 12 month warranty.



## Trademarks and Certifications



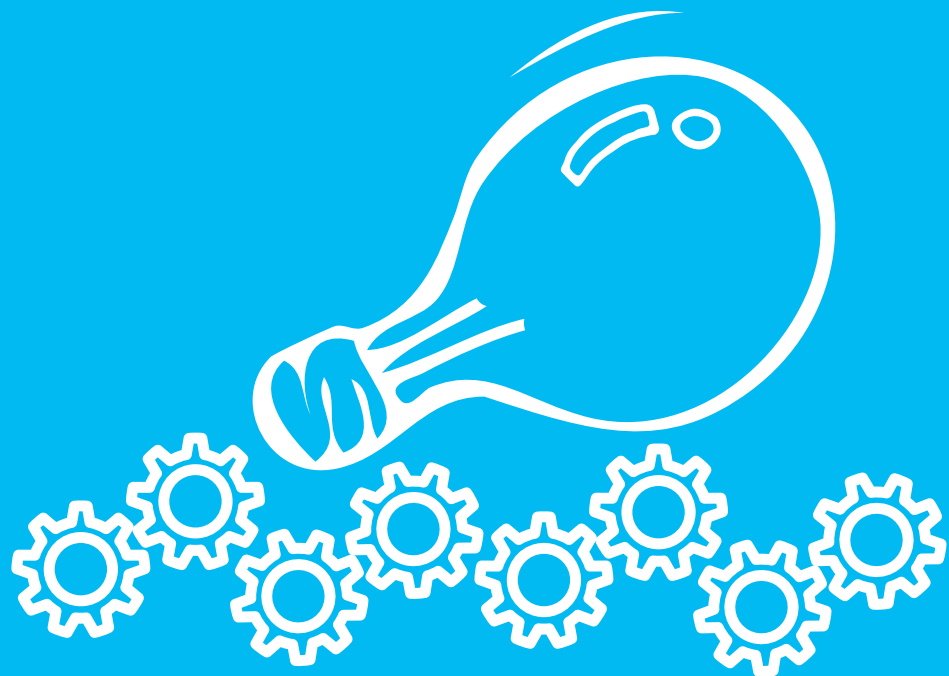
Complies with UL 508A  
Swimming Pool Equipment  
Listing #E212034

## Pricing

Order #	Description	List Price
2920280728	Control Box <b>BJC-7-GFCI+CP</b> for SwimJet Systems, single phase, with Contactor, Solenoid, Air Switch and GFCI (can also be used with in-house style remote control)	\$ 1,164.00
2920280728A	Control Box <b>BJC-7-GFCI+CP</b> for SwimJet Systems, single phase, with Contactor, Solenoid, Air Switch and GFCI (comes with 50 ft. air tubing and button)	1,225.00
2920280736	Control Box <b>BJC-7-GFCI-P2+CP</b> for SwimJet Systems, single phase, with Contactors, Solenoid, Air Switch and GFCI (comes with 50 ft. air tubing and button)	1,373.00
2920280729	Control Box <b>BJC-7-GFCI+CP SSII</b> for the BaduJet Imperial & BaduJet super-sport II SwimJet Systems, single phase, with Contactor, Solenoid, Air Switch and GFCI (can also be used with in-house style remote control)	1,264.00
2920280701	Control Box <b>BJC-7</b> for SwimJet Systems, single phase, with Contactor, Solenoid, Air Switch without GFCI	609.00
2902807011	Control Box <b>BJC-98</b> for SwimJet Systems, three phase, 208-230V with Contactor, Solenoid and Air Switch	790.00
2902807012	Control Box <b>BJC-98 HV</b> for SwimJet Systems, three phase, 460V with Contactor, Solenoid and Air Switch	790.00

See page 152-154 for replacement parts

# Replacement Parts






---

## replacement parts

Model ES90 Series.....	90
Model S90 & BADU® EcoM2/S90 .....	92
BADU® EcoM3 V (1.65).....	94
EasyFit® Series .....	96
Model 72 & BADU® EcoM2/72.....	100
BADU® EcoMV .....	102
Model 433 .....	104
Model A91 Series .....	106
Model E71 Series .....	108
Model E45 .....	110
Model E75 .....	112
Model 21-80/30 G .....	114
Model 21-80 G .....	116
Model 21-80 GS.....	118
Model 21-80 BS.....	120
Model 95-V, 95-VI, 95-VIII.....	122
Model 95-IX, 95-X.....	124
Sand Filters (16", 19", 24", & 31").....	126
Multiport Valve (1.5").....	128
Multiport Valve (2.0").....	130
Cartridge Filters (Models ACF 30, 60, 90, 120, 150 & 180).....	132
AquaSkim™ Skimmer.....	134
Badu®Stream II.....	136
Badu®Jet super-sport .....	138
Badu®Jet super-sport II .....	142
Badu®Jet Imperial.....	144
Badu®Jet Inspiration .....	148
Control Box (Model BJC-7-GFCI+CP).....	152
Control Box (Model BJC-7-GFCI-P2+CP).....	153
Control Box (Model BJC-7-GFCI+CP SSII) .....	154
Replacement Motors (56 frame).....	155

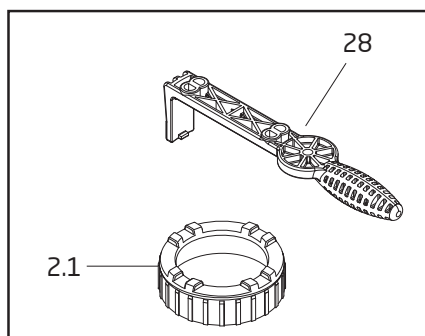
Looking for replacement parts for an older Speck Model, check our website [usa.speck-pumps.com](http://usa.speck-pumps.com) or call 800-223-8538

# MODEL ES90 Series

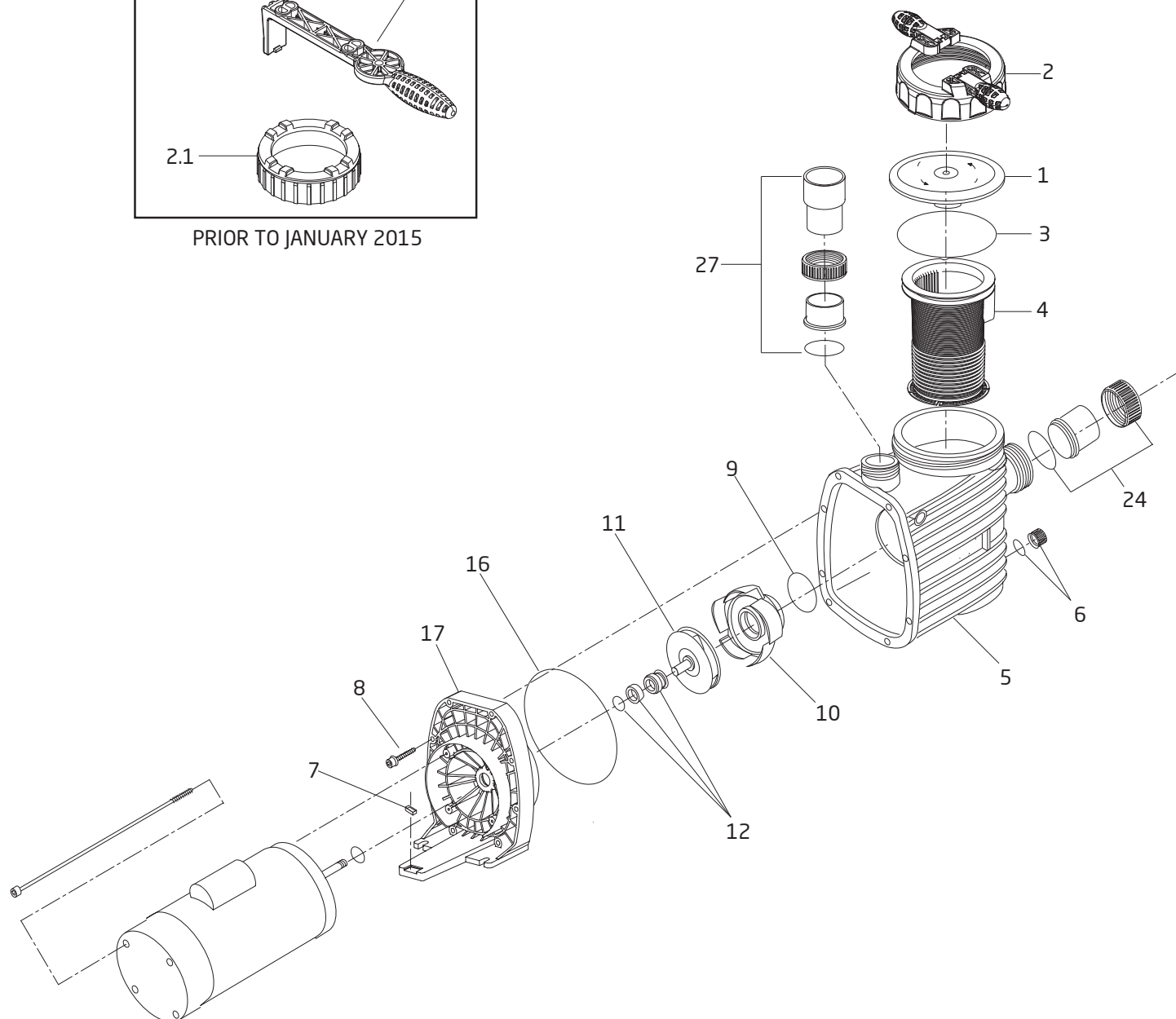
Swimming Pool Pump



Model ES90-I, ES90-II, ES90-III, ES90-IV & ES90-II VSP



PRIOR TO JANUARY 2015



# MODEL ES90 Series

## Swimming Pool Pump




### Model ES90-I, ES90-II, ES90-III, ES90-IV & ES90-II VSP

Order #	Drawing Number	Qty Required	Description	List Price
2901116010	1	1	LID - CLEAR	\$ 18.70
2921116012B	NOT SHOWN	1	LID - CLEAR WITH LED LIGHT	41.20
2921116022	2	1	LOCK RING WITH HANDLES - LID	34.40
2921141210	3	1	O-RING - LID 137 x 5mm	4.90
2901114300	4	1	BASKET - ONE PIECE	16.20
2921110130	5	1	CASING	169.30
2901158200	6	1	DRAIN CAP 3/8" WITH GASKET - CASING	2.60
2920889410	7	3	LEGO SPACER	0.50
2991000091	8	8	SCREW - CASING HEX/SLOT M7 x 48mm SS	4.00
2920141210	9	1	O-RING - DIFFUSER 90 x 5mm	3.20
2921117412	10	1	DIFFUSER	46.60
2921923091	11	1	IMPELLER (-I) 0.75 HP S.F. 1.0 99 / 4.5mm (3/8") 6V	50.30
2921923192	11.1	1	IMPELLER (-II) 1.0 HP S.F. 1.0 98 / 9mm (3/8") 6V w/INSERT	50.30
2921223040	11.2	1	IMPELLER (-II VSP) 1.1 THP 115 / 9mm (3/8") 6V	50.30
2921923193	11.3	1	IMPELLER (-III) 1.5 HP S.F. 1.0 106 / 9mm (3/8") 6V w/INSERT	50.30
2921923094	11.4	1	IMPELLER (-IV) 2.0 HP S.F. 1.0 111 / 9mm (3/8") 6V w/INSERT	65.30
2921606204	12	1	MECHANICAL SEAL (5/8") - CARBON/CERAMIC	14.00
2921141222	16	1	O-RING - CASING 190 x 6mm	9.80
2921116112	17	1	FLANGE/SEAL HOUSING	119.80
2921770005	24	1	SET - SUCTION UNION COMPLETE	13.30
2500300902	27	1	SET - DISCHARGE UNION COMPLETE	31.30
2500300914	24 & 27	1	SET - SUCTION/DISCHARGE UNION COMPLETE	44.60

#### Parts Below Are Unique To The Model ES90 Shipped Prior To January, 2015

2901116020	2.1	1	LOCK RING - LID	20.20
2921157700	28	1	SPANNER - LID (OPTIONAL PART)	13.20

#### Go Kits For The Model ES90 Series

SPK-ES90-GOKIT	KIT INCLUDES THE FOLLOWING PARTS:			36.80
			2921141210 - O-RING LID 137 x 5mm	
			2920141210 - O-RING DIFFUSER 90 x 5mm	
			2921606204 - MECHANICAL SEAL (5/8") CARBON/CERAMIC	
			2921141222 - O-RING CASING 190 x 6mm	
			2920241220 - O-RING UNION 50 x 3mm	
			2901141211 - O-RING UNION 68 x 3.5mm	

#### REPLACEMENT MOTORS

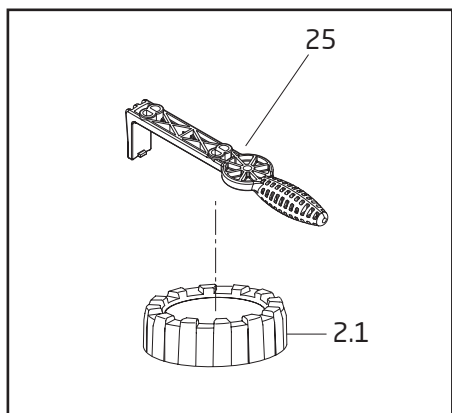
Order #	Model	THP	Volts	Motor/Frame	Speed	List Price
<b><i>SINGLE SPEED, 48 Frame, 3/8" Threaded Stainless Steel Shaft, 50/60Hz Motor</i></b>						
K055RMD2237	-I	0.75	230/115	PSC 48	single	\$ 337.50
K055RME2238	-II	1.0	230/115	PSC 48	single	350.90
K055RMF2239	-III	1.5	230/115	PSC 48	single	426.60
K055RMG2240	-IV	2.0	230	PSC 48	single	478.40
<b><i>VARIABLE SPEED, 48 Frame, 3/8" Threaded Stainless Steel Shaft, 50/60Hz Motor</i></b>						
ECPM750011	-II	1.1	115-230	TEFC 48	single	684.30



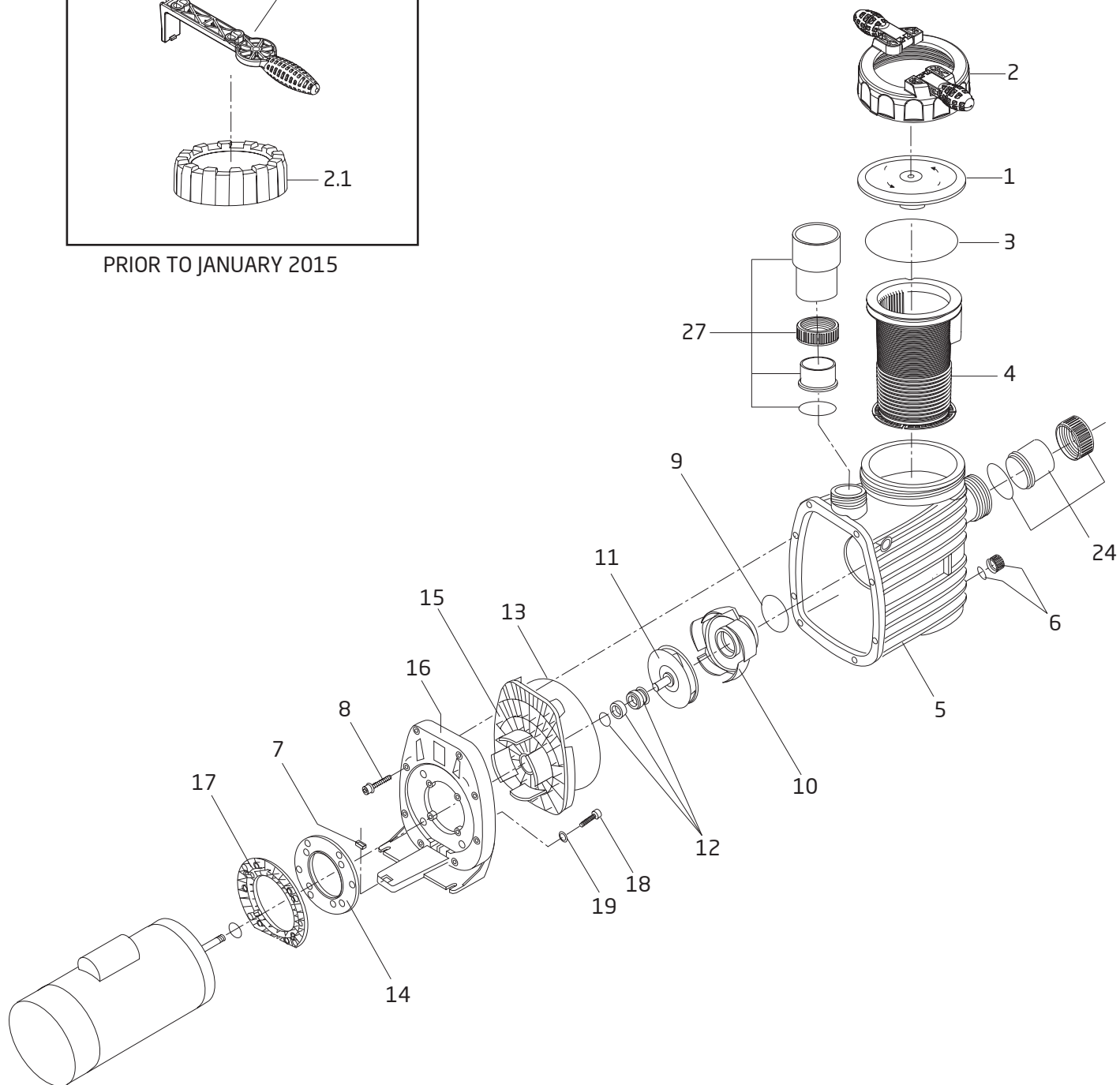
# MODEL S90 / BADU<sup>®</sup> EcoM2



## Swimming Pool Pump



PRIOR TO JANUARY 2015



# MODEL S90 / BADU® EcoM2



## Swimming Pool Pump

Order #	Drawing Number	Qty Required	Description	List Price
2901116010	1	1	LID - CLEAR	\$ 18.70
2921116012B	NOT SHOWN	1	LID - CLEAR WITH LED LIGHT	41.20
2921116022	2	1	LOCK RING WITH HANDLES - LID	34.40
2921141210	3	1	O-RING - LID 137 x 5mm	4.90
2901114300	4	1	BASKET - ONE PIECE	16.20
2921110130	5	1	CASING	169.30
2901158200	6	1	DRAIN CAP 3/8" WITH GASKET - CASING	2.60
2920889410	7	1	LEGO SPACER	0.50
2991000091	8	8	SCREW - CASING HEX/SLOT M7 x 48mm SS	4.00
2920141210	9	1	O-RING - DIFFUSER 90 x 5mm	3.20
2921117412	10	1	DIFFUSER	46.60
2920223090	11	1	IMPELLER (-II) 1.0 HP S.F. 1.0 101/9.0mm	72.50
2920223091	11.1	1	IMPELLER (-III) 1.5 HP S.F. 1.0 106/9.0mm	72.50
2920223092	11.2	1	IMPELLER (-IV) 2.0 HP S.F. 1.0 114/9.0mm	72.50
2920343310	12	1	MECHANICAL SEAL (20mm) COMPLETE	53.40
2921141222	13	1	O-RING - CASING 190 x 6mm	9.80
2920216110	14	1	INTERMEDIATE FLANGE	8.40
2921116110	15	1	SEAL HOUSING	31.30
2921111300	16	1	FLANGE	39.50
2920110200	17	1	MOTOR FLANGE - 56 FRAME	14.20
2991400029	18	4	BOLT - MOTOR (3/8-16 x 2.25")	2.60
2991400035	19	4	WASHER - MOTOR BOLT (3/8") SS	0.60
2921770005	24	1	SET - SUCTION UNION COMPLETE	13.30
2500300902	27	1	SET - DISCHARGE UNION COMPLETE	31.30
2500300914	24 & 27	1	COMPLETE UNION PACKAGE - SUCTION/DISCHARGE	44.60

### Parts Below Are Unique To The Model S90/BADU EcoM2 Shipped Prior To January, 2015

2901116020	2.1	1	LOCK RING - LID	20.20
2921157700	25	1	SPANNER - LID (OPTIONAL PART)	13.20

### Go Kits For The Model S90/BADU EcoM2

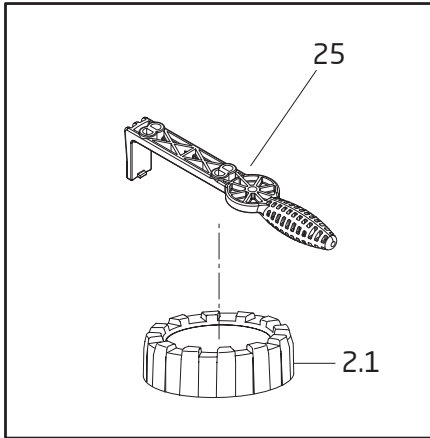
SPK-S90-GOKIT	1	KIT INCLUDES THE FOLLOWING PARTS:		74.00
			2921141210 - O-RING LID 137 x 5mm	
			2920141210 - O-RING DIFFUSER 90 x 5mm	
			2920343310 - MECHANICAL SEAL (20mm) CPL	
			2921141222 - O-RING CASING 190 x 6mm	
			2920241220 - O-RING UNION 50 x 3mm	
			2901141211 - O-RING UNION 68 x3.5mm	



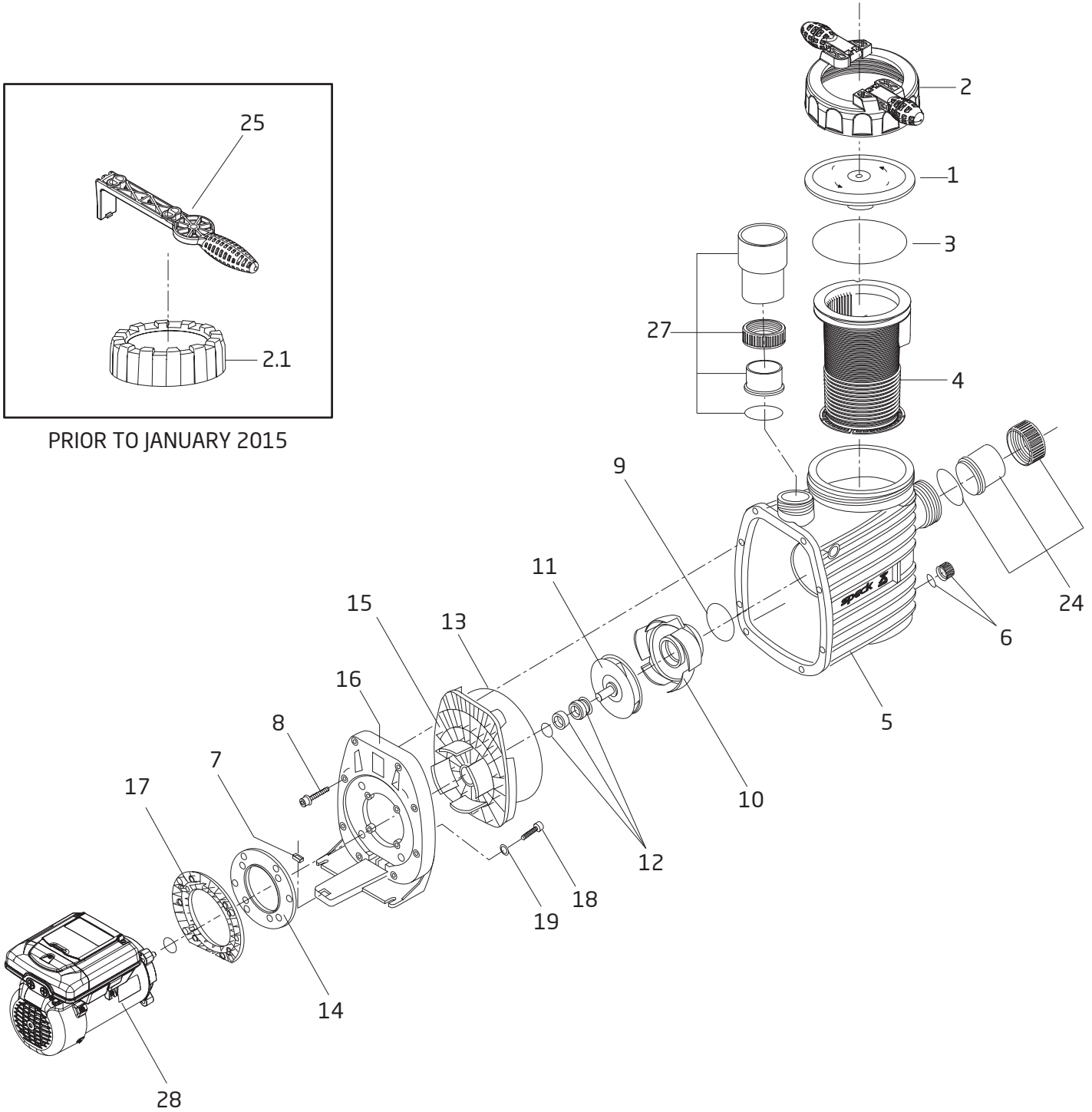
**\*\*SEE PAGE 155 FOR REPLACEMENT MOTORS**

# BADU<sup>®</sup> EcoM3 V (1.65)

Variable Speed Swimming Pool Pump



PRIOR TO JANUARY 2015



# BADU® EcoM3 V (1.65)



## Variable Speed Swimming Pool Pump

Order #	Drawing Number	Qty Required	Description	List Price
2901116010	1	1	LID - CLEAR	\$ 18.70
2921116012B	NOT SHOWN	1	LID - CLEAR WITH LED LIGHT	41.20
2921116022	2	1	LOCK RING WITH HANDLES - LID	34.40
2921141210	3	1	O-RING - LID 137 x 5mm	4.90
2901114300	4	1	BASKET - ONE PIECE	16.20
2921110130	5	1	CASING	169.30
2901158200	6	1	DRAIN CAP 3/8" WITH GASKET - CASING	2.60
2920889410	7	3	LEGO SPACER	0.50
2991000091	8	8	SCREW - CASING HEX/SLOT M7 x 48mm SS	4.00
2920141210	9	1	O-RING - DIFFUSER 90 x 5mm	3.20
2921117412	10	1	DIFFUSER	46.60
2920223090	11	1	IMPELLER 101 / 9.0mm	72.50
2920343310	12	1	MECHANICAL SEAL (20mm) COMPLETE	53.40
2921141222	13	1	O-RING - CASING 190 x 6mm	9.80
2920216110	14	1	INTERMEDIATE FLANGE	8.40
2921116110	15	1	SEAL HOUSING	31.30
2921111300	16	1	FLANGE	39.50
2920110200	17	1	MOTOR FLANGE - 56 FRAME	14.20
2991400029	18	4	BOLT - MOTOR (3/8"-16 x 2.25")	2.60
2991400035	19	4	WASHER - MOTOR BOLT (3/8") SS	0.60
2921770005	24	1	SET - SUCTION UNION COMPLETE	13.30
2500300902	27	1	SET - DISCHARGE UNION COMPLETE	31.30
2500300914	24 & 27	1	COMPLETE UNION PACKAGE - SUCTION/DISCHARGE	44.60
M48AA85A01	28	1	MOTOR - VARIABLE SPEED 1.65 THP, 1 PH, 208-230V	742.00

### Optional Parts

2901116020	2.1	1	LOCK RING - LID	20.20
2921157700	25	1	SPANNER - LID	13.20





Order #	Drawing Number	Qty Required	Description	List Price
2921116022	160.2	1	LOCK RING WITH HANDLES - LID	\$ 34.40
2901410122	101	1	CASING	142.70
2901413002	130	2	NAME PLATE - ORANGE	2.60
2901411304	113	1	FLANGE	44.30
2901489400	894	1	BASE	53.40
2901416102	161.2	1	SEAL HOUSING (-I, -II, -IV, -V, -VI)	20.90
2901416103A	161.2	1	SEAL HOUSING (1.65, -III)	43.90
2901417421	174.2	1	DIFFUSER (-I, -II)	30.00
2921317421	174.2	1	DIFFUSER (1.65, -III)	18.70
2901417422	174.2	1	DIFFUSER (-IV, -V)	30.90
2901417420	174.2	1	DIFFUSER (-VI)	23.40
2920750200	502	1	FLOATING EYE SEAL (-I, -II)	7.50
2901450700	502	1	FLOATING EYE SEAL (-IV, -V)	7.00
2901423130	230	1	IMPELLER (-I)	44.20
2901423015	230.1	1	IMPELLER (-II) 113 / 5.3mm	44.20
2901423009R	230.2	1	IMPELLER (-III) 118 / 5.0mm	51.30
2901423009	230.3	1	IMPELLER (1.65 THP) 124 / 5.0mm	51.30
2901423016	230.4	1	IMPELLER (-IV) 120 / 8.7mm	57.00
2901423017	230.5	1	IMPELLER (-V) 118 / 10.0mm	57.00
2901423013	230.6	1	IMPELLER (-VI) 120 / 7.8mm	39.30
2901490300	903	1	PLUG WINGED - CASING DRAIN (1/4")	2.70
2920141240	412.4	1	O-RING - DRAIN PLUG 11 x 2.5mm	1.20
2921141210	412.1	1	O-RING - LID 137 x 5.0mm	4.90
2901441210	412.2	1	O-RING - CASING 206 x 6.0mm	9.70
2920141210	412.5	1	O-RING - DIFFUSER 90 x 5.0mm	3.20
2991000091	900	10	SCREW - CASING HEX/SLOT M7 x 48mm SS	4.00
2901116010	160.1	1	LID - CLEAR	18.70
2921116012B	NOT SHOWN	1	LID - CLEAR WITH LED LIGHT	41.20
2920343310	433	1	MECHANICAL SEAL (20mm) COMPLETE	53.40
2920110200	598	1	MOTOR FLANGE - 56 FRAME	14.20
2991400028	914.2	4	SCREW - 3/8"-1.6 x 2" (ALLEN HEAD)	4.90
2901414303	143	1	BASKET - TALL STRAINER	28.50
5879006023	917	8	SCREW - 6 x 22mm, A4	2.40
2901441270	918	1	O-RING - SUCTION FITTING (ALL) 76 x 6.0mm	3.10
2901441282	919	1	O-RING - DISCHARGE FITTING (ALL) 67 x 6.0mm	3.70
2901489420	920	1	MOTOR SUPPORT - BASE (h=50mm)	4.00
2902089420	920.1	1	MOTOR SUPPORT - BASE (h=57mm)	11.80
2920889410	921	0-7	LEGO SPACER	0.40
2901415300A	153, 918	1	FITTING - STANDARD SUCTION KIT	12.20
2901415600A	156, 919	1	FITTING - STANDARD DISCHARGE KIT	13.80
2901418213	182.1	1	RISER - FRONT	0.70
2901418223	182.2	2	RISER - REAR	2.80
2921770005	721	2	SET - 2" PVC UNION COMPLETE - (-I, -II, -III, 1.65, -IV, -V)	13.30
2921770006	721	2	SET - 3" PVC UNION COMPLETE - (-VI)	30.80
2500300926	721	1	2" PVC UNION PACKAGE - SUCTION & DISCHARGE (-I, -II, -III, 1.65, -IV, -V)	26.80
2500300918	721	1	3" PVC UNION PACKAGE - SUCTION & DISCHARGE (-VI)	61.30

### Optional Parts

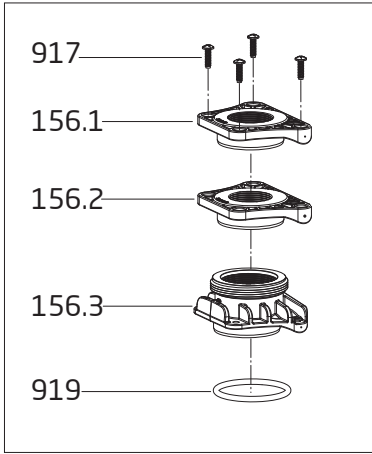
2901415306	153.1	1	SUCTION FITTING - 1.5" NPT (Ultra-Flow®)	17.40
2901415316	153.1	1	SUCTION FITTING - 2" NPT (Ultra-Flow®)	16.50
2901415307	153.2	1	SUCTION FITTING - 1.5" NPT (WhisperFlo® / IntelliFlo®)	15.50
2901415317	153.2	1	SUCTION FITTING - 2" NPT (WhisperFlo® / IntelliFlo® / Challenger®)	14.50
2901415305	153.3	1	SUCTION FITTING - 1.5" NPT (Super Pump® / SuperFlo®)	11.90
2901415315	153.3	1	SUCTION FITTING - 2" NPT (Super Pump® / SuperFlo®)	11.90
2901415308	153.4	1	SUCTION FITTING - 1.5" (Dura-Glas / Max-E-Glas™)	11.50
2901415318	153.4	1	SUCTION FITTING - 2" (Dura-Glas II / Max-E-Glas II™)	10.40
2901415323	153.6	1	SUCTION FITTING - 2" NPT (Dyna-Glas II™)	22.50

**\*\*SEE NEXT PAGE FOR ADDITIONAL PARTS**

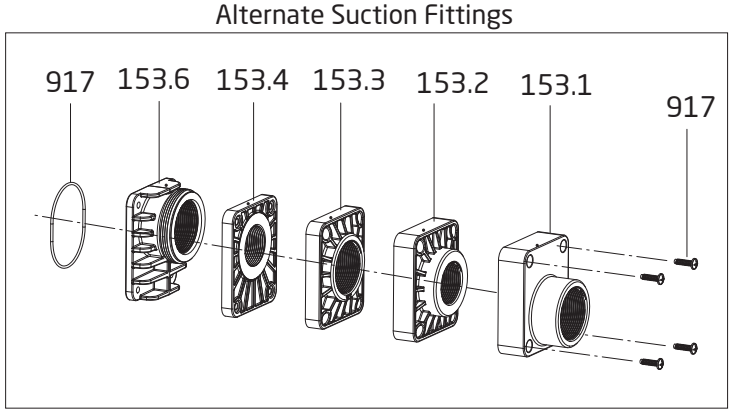
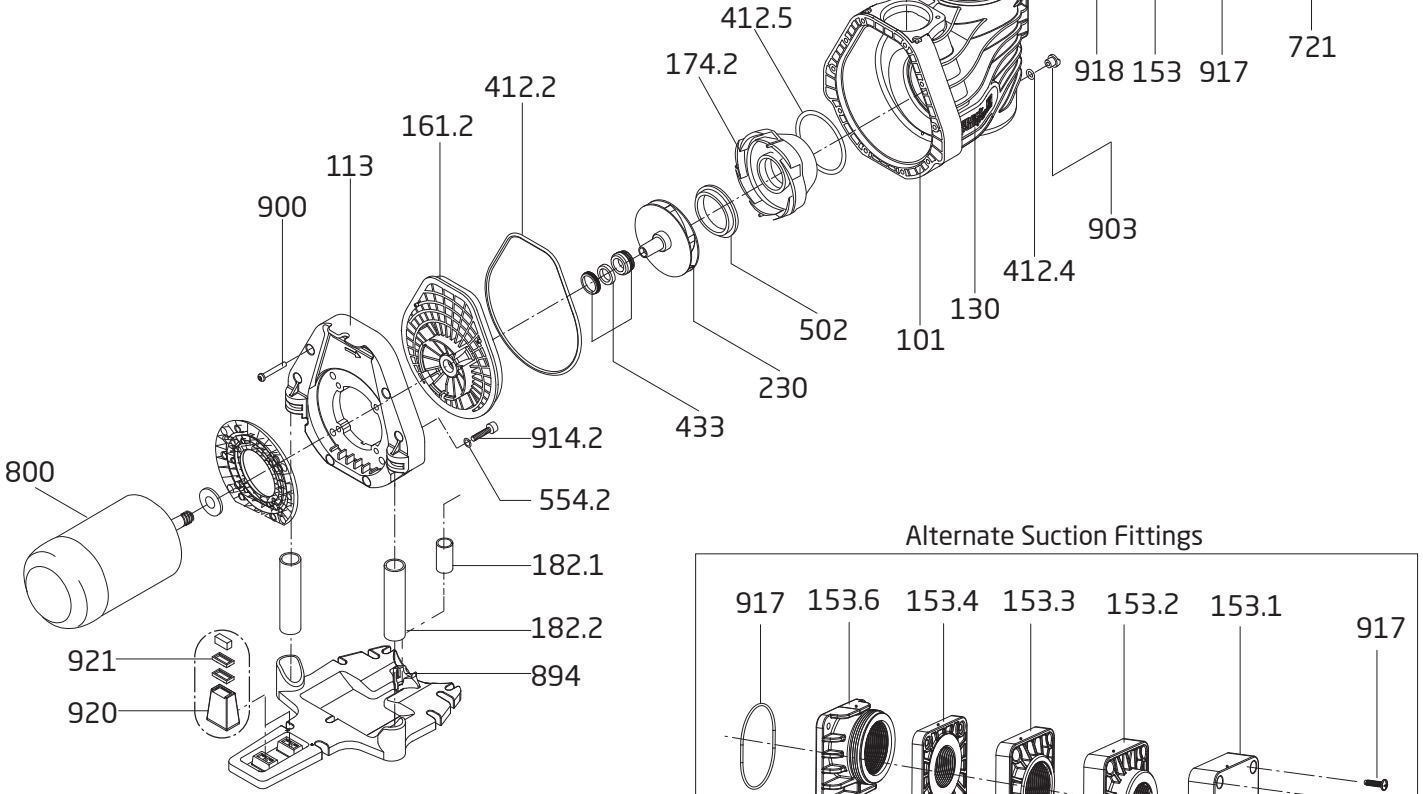
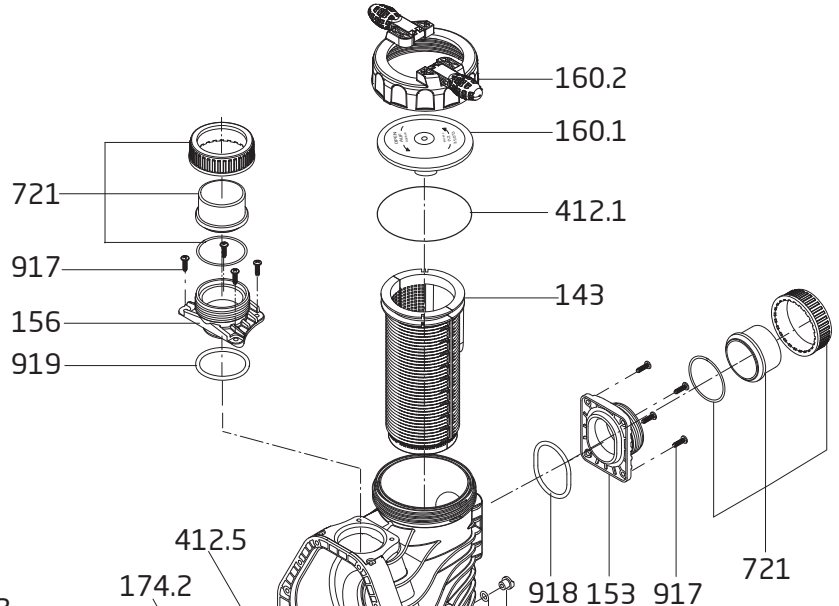


# EasyFit® SERIES

## Universal Replacement Swimming Pool Pump



Alternate Discharge Fittings




# EasyFit® SERIES

## Universal Replacement Swimming Pool Pump



Order #	Drawing Number	Qty Required	Description	List Price
2901415602	156.1	1	DISCHARGE FITTING - 1.5" NPT(Pentair®, Hayward®, STA-RITE®)	\$ 11.50
2901415612	156.2	1	DISCHARGE FITTING - 2" NPT (Pentair®, Hayward®, STA-RITE®)	10.10
2901415623	156.3	1	DISCHARGE FITTING - 2" NPT (STA-RITE® Dyna-Glas™)	21.40
2901418212	182.1	1	RISER - FRONT (Ultra-Flow® / Challenger®)	1.10
2901418213	182.1	1	RISER - FRONT (WhisperFlo® / IntelliFlo® / Dyna-Glas™)	0.70
2901418214	182.1	1	RISER - FRONT (Dura-Glas / Max-E-Glas™)	1.10
2901418215	182.1	1	RISER - FRONT (Super II®)	0.50
2901418222	182.2	2	RISER - REAR (Ultra-Flow® / Challenger®)	3.50
2901418223	182.2	2	RISER - REAR (WhisperFlo® / IntelliFlo® / Dyna-Glas™)	2.80
2901418221	182.2	2	RISER - REAR (Super Pump® / SuperFlo®)	2.20
2901418224	182.2	2	RISER - REAR (Dura-Glas / Dyna-Glas™)	3.70
2901418225	182.2	2	RISER - REAR (Super II®)	2.30

### Go Kits For The Model EasyFit

EasyFit-GOKIT	1	KIT INCLUDES THE FOLLOWING PARTS:	78.30
		2920141240 - O-RING DRAIN PLUG 11 x 2.5mm	
		2921141210 - O-RING LID 137 x 5mm	
		2920141210 - O-RING DIFFUSER 90 x 5mm	
		2920343310 - MECHANICAL SEAL (20mm) CPL	
		2901441210 - O-RING CASING 206 x 6mm	
		2901441270 - O-RING SUCTION FITTING 76 x 6mm	
		2901441282 - O-RING DISCHARGE FITTING 67 x 6mm	

### REPLACEMENT MOTORS

Order #	MFR #	Model	THP	HP	S.F.	Volts	Frame	List Price
<b><i>SINGLE SPEED, Standard Efficient Max Rated, 56 Frame, C-Face, 7/16" Threaded Shaft</i></b>								
0817749000	EB227	-I	0.98	0.75	1.25	115/230	56	\$ 332.00
0817750000	EB228	-II	1.25	1.0	1.25	115/230	56	348.70
0817750100	EB229	-III	1.65	1.5	1.10	115/230	56	386.20
0817750200	EB230	-IV	2.25	2.0	1.10	115/230	56	425.40
<b><i>TWO SPEED, Premium Energy Efficient, 56 Frame, C-Face, 7/16" Threaded Shaft</i></b>								
B63GZABR1036	ASB2973H	-II	1.25	0.75	1.67	230	56	540.10
B63GZABS1037	ASB2975	-III	1.65	1.0	1.65	230	56	552.70
B63GZABT1038	ASB2977	-IV	2.25	1.5	1.47	230	56	597.50
B63GZABU1039	ASB2979	-V	2.60	2.0	1.30	230	56	756.40
<b><i>SINGLE SPEED, Premium Energy Efficient, 56 Frame, C-Face, 7/16" Threaded Shaft</i></b>								
0816529800	ASB657	-I	0.98	0.5	1.95	208-230/115	56j	346.70
0816511800	ASB638	-II	1.25	0.75	1.67	208-230/115	56j	372.40
0816512000	ASB654	-III	1.65	1.0	1.65	208-230/115	56j	422.20
0816512200	ASB796	-IV	2.25	1.5	1.50	208-230/115	56j	588.60
0816512400	ASB809	-V	2.60	2.0	1.30	208-230	56j	710.10
0816512600	ASB818	-VI	3.45	3.0	1.15	208-230	56j	875.10
<b><i>THREE PHASE, 56 Frame, C-Face, 7/16" Threaded Shaft, 50/60Hz Motor</i></b>								
0815176800	EH282	-I	0.80	0.50	1.60	208-230/460	56j	356.80
0815177000	EH451	-II	1.125	0.75	1.50	208-230/460	56j	425.20
0815177200	EH514	-III	1.40	1.0	1.40	208-230/460	56j	483.50
0815177400	EH617	-IV	1.95	1.5	1.30	208-230/460	56j	627.90
0815177600	EH705	-V	2.40	2.0	1.20	208-230/460	56j	696.60
0815177800	EH741	-VI	3.45	3.0	1.15	208-230/460	56j	833.50
<b><i>VARIABLE SPEED, 56 Frame, C-Face, 7/16" Threaded Shaft, 50/60Hz Motor</i></b>								
M48AA85A01		-III	1.65			208-230	56	742.00
M48AA69D29		-V	2.7			230	56	1,297.00
M48AA91D29		-V	2.7 (w/SVRS)			230	56	1,459.00



# MODEL 72 / BADU® EcoM2

## Swimming Pool Pump



Order #	Drawing Number	Qty Required	Description	List Price
2921116022	1	1	LOCK RING WITH HANDLES - LID	\$ 34.40
2901116010	2	1	LID - CLEAR	18.70
2921116012B	NOT SHOWN	1	LID - CLEAR WITH LED LIGHT	41.20
2921141210	3	1	O-RING - LID 137 x 5mm	4.90
2901114300	4	1	BASKET - ONE PIECE	16.20
2921770006	5*	2	SET - 3" UNION COMPLETE - (STANDARD -VI)	30.80
2500300918	5**	1	3" UNION PACKAGE CPL - SUCTION & DISCHARGE (STANDARD -VI)	61.30
2921770005	6*	2	SET - 2" PVC UNION COMPLETE - (STANDARD -IV, -V)	13.30
2500300926	6**	1	2" PVC UNION PACKAGE CPL - SUCTION & DISCHARGE (STANDARD -IV, -V)	26.80
2901158200	7	1	DRAIN CAP 3/8" WITH GASKET - CASING	2.60
2901410101	8	1	CASING (PPGF30) - LIGHT GRAY	158.60
2920141210	9	1	O-RING - DIFFUSER 90 x 5mm	3.20
2921317420	10	1	DIFFUSER	46.60
2920423020	11	1	IMPELLER (-IV) 2.0 HP S.F. 1.0 118/11.5mm	48.20
2920523040	11.1	1	IMPELLER (-V) 2.5 HP S.F. 1.0 113/16.0mm	48.20
2921700003	11.2	1	IMPELLER (-VI) 3.5 HP S.F. 1.0 117/21.0mm	48.20
2901441220	12	1	O-RING - CASING 225 x 6mm	14.60
2920343310	13	1	MECHANICAL SEAL (20mm) COMPLETE	53.40
2901416101A	14	1	SEAL HOUSING	41.20
2991000096	15	4	BOLT - MOTOR, HEX (3/8 - 16 x 1-1/2") SS	2.70
2991400035	15	4	WASHER - MOTOR BOLT (3/8") SS	0.60
2901411301	16	1	FLANGE	51.70
2920889410	17	2	LEGO SPACER	0.50
2991000091	18	10	SCREW - CASING HEX/SLOT M7 x 48mm SS	4.00

\* 3" SUCTION & DISCHARGE UNION SET - INCLUDES NUT, O-RING, AND ADAPTOR

\*\* 2" SUCTION & DISCHARGE UNION SET - INCLUDES NUT, AND O-RING

### Parts Below Are Unique To The Model 72/BADU EcoM2 Shipped Prior To January, 2015

2901116020	1.1	1	LOCK RING - LID	20.20
2921157700	19	1	SPANNER - LID (OPTIONAL PART)	13.20

### Motor Units For The Model 72

2072210020M	1	MOTOR UNIT COMPLETE (72-IV) 2.0 HP, SINGLE PHASE, EE	797.00
2072210027M	1	MOTOR UNIT COMPLETE (72-IV) 1.5 HP, THREE PHASE	920.00
2072260020M	1	MOTOR UNIT COMPLETE (72-V) 2.5 HP, SINGLE PHASE	913.00
2072320000M	1	MOTOR UNIT COMPLETE (72-VI) 3.5 HP, SINGLE PHASE	1,025.00
2072320027M	1	MOTOR UNIT COMPLETE (72-VI) 3.0 HP, THREE PHASE	1,027.00

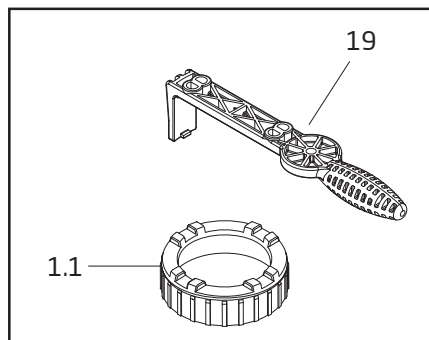
### Go Kits For The Model 72 & BADU EcoM2/72

SPK-72-GOKIT	1	KIT INCLUDES THE FOLLOWING PARTS:	78.30
		2921141210 - O-RING LID 137 x 5mm	
		2920141210 - O-RING DIFFUSER 90 x 5mm	
		2920343310 - MECHANICAL SEAL (20mm) CPL	
		2901441220 - O-RING CASING 225 x 6mm	
		2901141211 - O-RING UNION 68 x 3.5mm	

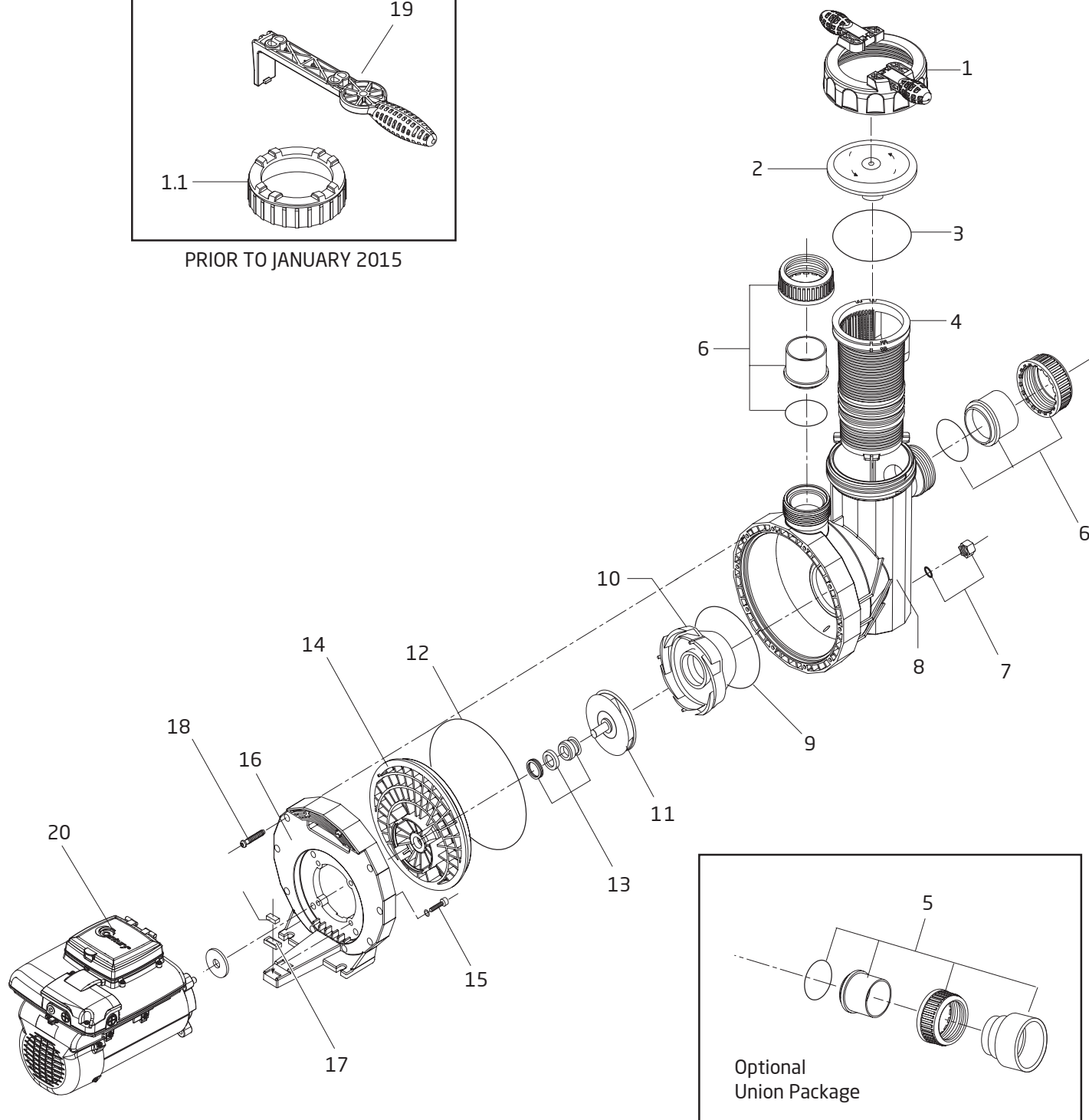
\*\*SEE PAGE 155 FOR REPLACEMENT MOTORS

# BADU<sup>®</sup> EcoMV

## Variable Speed Swimming Pool Pump



PRIOR TO JANUARY 2015





## Variable Speed Swimming Pool Pump

Order #	Drawing Number	Qty Required	Description	List Price
2921116022	1	1	LOCK RING WITH HANDLES - LID	\$ 34.40
2901116010	2	1	LID - CLEAR	18.70
2921116012B	NOT SHOWN	1	LID - CLEAR WITH LED LIGHT	41.20
2921141210	3	1	O-RING - LID 137 x 5mm	4.90
2901114300	4	1	BASKET - ONE PIECE	16.20
2921770006	5	2	SET - 3" UNION COMPLETE - (STANDARD -VI)	30.80
2500300918	5.1	1	3" UNION PACKAGE CPL - SUCTION & DISCHARGE (STANDARD -VI)	61.30
2921770005	6	2	SET - 2" PVC UNION COMPLETE - (STANDARD -V)	13.30
2500300926	6.1	1	2" PVC UNION PACKAGE CPL - SUCTION & DISCHARGE (STANDARD -V)	26.80
2901158200	7	1	DRAIN CAP 3/8" WITH GASKET - CASING	2.60
2901410101	8	1	CASING (PPGF30) - LIGHT GRAY	158.60
2920141210	9	1	O-RING - DIFFUSER 90 x 5mm	3.20
2921317420	10	1	DIFFUSER (-V, -VI) 2.4 THP, 3.45 THP	46.60
2901417422	10.1	1	DIFFUSER (-V) 2.7 THP	30.90
2901423017	11	1	IMPELLER (-V) 2.7 THP 118/10.0mm	57.00
2920523030	11.1	1	IMPELLER (-V) 2.4 THP 116/16.0mm	48.20
2921700002	11.2	1	IMPELLER (-VI) 3.45 THP 118.5/21.0mm	48.20
2901450700	NOT SHOWN	1	FLOATING EYE SEAL - WEAR RING (-V) 2.7 THP	7.00
2901441220	12	1	O-RING - CASING 225 x 6mm	14.60
2920343310	13	1	MECHANICAL SEAL (20mm) COMPLETE	53.40
2901416101A	14	1	SEAL HOUSING (-V, -VI) 2.4 THP, 3.45 THP 49mm	41.20
2901416100	14.1	1	SEAL HOUSING (-V) 2.7 THP 39mm	26.40
2991000096	15	4	BOLT - MOTOR, HEX (3/8 - 16 x 1-1/2") SS	2.70
2991400035	15	4	WASHER - MOTOR BOLT (3/8") SS	0.60
2901411301	16	1	FLANGE	51.70
2920889410	17	2	LEGO SPACER	0.50
2991000091	18	10	SCREW - CASING HEX/SLOT M7 x 48mm SS	4.00
M48AA69D29	20	1	MOTOR - 2.7 THP	1,297.00
M48AA91D29	20.1	1	MOTOR - 2.7 THP WITH SVRS	1,459.00

### Optional Parts

2921770006	5	2	SET - 3" UNION COMPLETE	30.80
2500300918	5	1	3" UNION PACKAGE CPL - SUCTION & DISCHARGE	61.30
5881778987	NOT SHOWN	1	INTERFACE ADAPTOR (for 3rd party controllers)	110.00
2991000130	NOT SHOWN	1	SOCKET WRENCH W/ EXT F/HEX/SLOT M7 x 48mm	93.00

### Parts Below Are Unique To The BADU EcoMV Shipped Prior To January, 2015

2901116020	1.1	1	LOCK RING - LID	20.20
2921157700	19	1	SPANNER - LID (OPTIONAL PART)	13.20

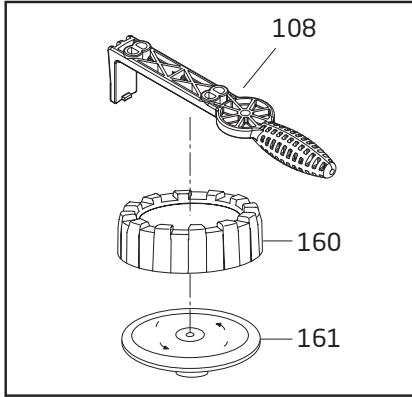
### Go Kits For The Model BADU EcoMV

SPK-72-GOKIT	1	KIT INCLUDES THE FOLLOWING PARTS:		78.30
		2921141210 - O-RING LID 137 x 5mm		
		2920141210 - O-RING DIFFUSER 90 x 5mm		
		2920343310 - MECHANICAL SEAL (20mm) CPL		
		2901441220 - O-RING CASING 225 x 6mm		
		2901141211 - O-RING UNION 68 x 3.5mm		

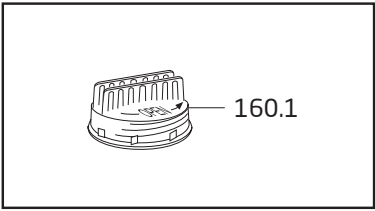
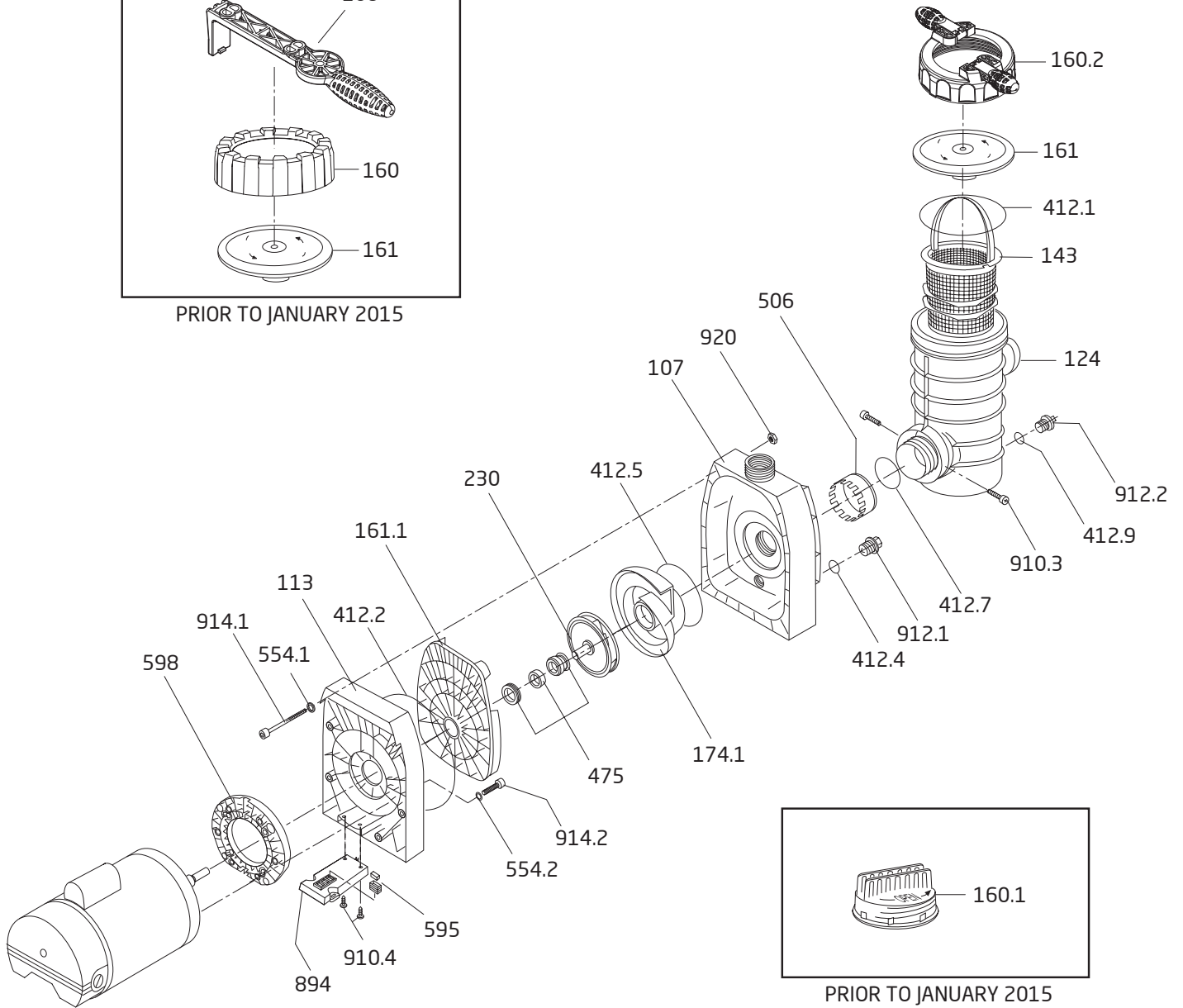


# MODEL 433

## Swimming Pool Pump



PRIOR TO JANUARY 2015



PRIOR TO JANUARY 2015

# MODEL 433

## Swimming Pool Pump



Order #	Drawing Number	Qty Required	Description	List Price
5829340800	920	8	NUT - CASING BOLT, BRASS M8	\$ 3.20
2991000067	914.2	4	BOLT - MOTOR HEX (3/8-16 x 2") SS	4.00
2920391500	914.1	8	BOLT - CASING BOLT, PHILLIPS M8 x 120mm SS	12.00
2920791211	912.1	1	PLUG - CASING DRAIN (3/4")	3.70
2923591201	912.2	1	PLUG - STRAINER TANK DRAIN (1/4")	1.00
2920891030	910.4	2	TAPPING SCREW - BASE, PHILLIPS 6.3 x 16mm	1.80
2920791031	910.3	2	TAPPING SCREW - STRAINER TANK, PHILLIPS # 8 x 1/2"	0.50
2920889403	894	1	BASE	7.80
2920110200	598	1	MOTOR FLANGE - 56 FRAME	14.20
2920889410	595	0-2	LEGO SPACER (QTY DEPENDS ON MOTOR MAKE)	0.50
2991400035	554.2	4	WASHER - MOTOR BOLT (3/8") SS	0.60
5871250800	554.1	8	WASHER - CASING BOLT M8 SS	0.60
2920750600	506	1	LOCK RING (TANK)	7.60
2920343310	475	1	MECHANICAL SEAL (20mm) COMPLETE	53.40
2920141240	412.9	1	O-RING - STRAINER TANK DRAIN PLUG 11 x 2.5mm	1.20
2920741271	412.7	1	O-RING - STRAINER TANK 57 x 4.5mm	3.00
2920141210	412.5	1	O-RING - DIFFUSER 90 x 5mm	3.20
2923241231	412.4	1	O-RING - CASING DRAIN PLUG (3/4") 24 x 3.5mm	0.80
2920341220	412.2	1	O-RING - CASING 215 x 6mm	8.30
2921141210	412.1	1	O-RING - LID 137 x 5mm	4.90
2920823000	230	1	IMPELLER (-I) 0.75 HP S.F. 1.0 102 / 3.5mm	78.80
2920825010	230.1	1	IMPELLER (-II) 1.0 HP S.F. 1.0 114 / 3.5mm	78.80
2920825000	230.2	1	IMPELLER (-III) 1.5 HP S.F. 1.0 122-130 / 3.5mm	78.80
2920826000	230.3	1	IMPELLER (-IV) 2.0 HP S.F. 1.0 122 / 6mm	78.80
2920827000	230.4	1	IMPELLER (-V) 2.5 HP S.F. 1.0 128 / 7mm	78.80
2920829000	230.5	1	IMPELLER (-VI) 3.0 HP S.F. 1.15 130 / 11mm	78.80
2920817403	174.1	1	DIFFUSER	25.90
2920816103	161.1	1	SEAL HOUSING	38.00
2901116010	161	1	LID - CLEAR	18.70
2921116012	NOT SHOWN	1	LID - CLEAR WITH LED LIGHT	41.20
2921116022	160.2	1	LOCK RING WITH HANDLES - LID	34.40
2920814300	143	1	BASKET - COMPLETE	15.50
2920812430	124	1	STRAINER TANK (1.5") PP/GLASS (09/1994)	DISCONTINUED
2920812431	124.1	1	STRAINER TANK (2.0") PP/GLASS	127.20
2920311300	113	1	FLANGE	61.40
2920810103	107	1	CASING (1.5" x 2.0") PP/GLASS (09/1994)	DISCONTINUED
2920810105	107.1	1	CASING (2.0" x 2.0") PP/GLASS	148.30

### Parts Below Are Unique To The Model 433 Shipped Prior To August, 1988

2920716000	160	1	LID - EXTERNAL THREAD	DISCONTINUED
2920741210	412.1	1	O-RING - LID 146 X 7mm	0
2920314300	143	1	BASKET - COMPLETE	9.80
2920312431	124	1	STRAINER TANK	DISCONTINUED

### Parts Below Are Unique To The Model 433 Shipped Prior To January, 2015

2920816000	160.1	1	LID - ONE PIECE	55.90
2901116020	160	1	LOCK RING - LID	20.20
2921157700	108	1	SPANNER (OPTIONAL PART)	13.20

### Go Kits For The Model 433

SPK-433-GOKIT	KIT INCLUDES THE FOLLOWING PARTS:			75.00
	2920141240 - O-RING STRAINER TANK DRAIN PLUG 11 x 2.5mm			
	2920741271 - O-RING STRAINER TANK 57 x 4.5mm			
	2921141210 - O-RING LID 137 x 5mm			
	2920141210 - O-RING DIFFUSER 90 x 5mm			
	2920343310 - MECHANICAL SEAL (20mm) CPL			
	2923241231 - O-RING CASING DRAIN PLUG (3/4") 24 x 3.5mm			
2920341220 - O-RING CASING 215 x 6mm				

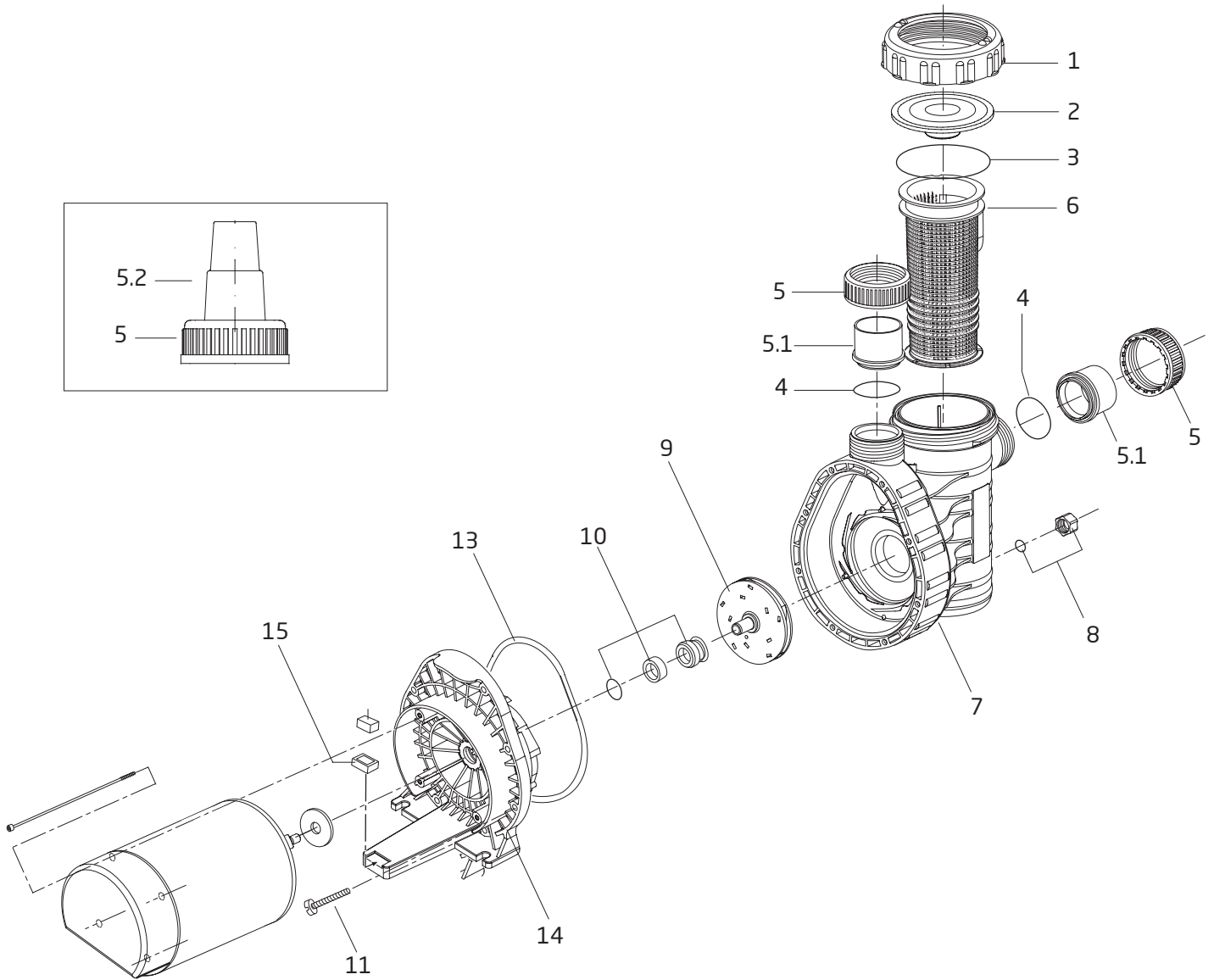
**\*\*SEE PAGE 155 FOR REPLACEMENT MOTORS**

# MODEL A91 Series

Self-Priming Swimming Pool Pump



Model A91R, A91, A91-I, A91-II & A91-II VSP



# MODEL A91 Series

## Self-Priming Swimming Pool Pump



### Model A91R, A91, A91-I, A91-II & A91-II VSP

Order #	Drawing Number	Qty Required	Description	List Price
2901316020	1	1	LOCK RING - LID	\$ 9.20
2901316010	2	1	LID - CLEAR	11.70
2901341220	3	1	O-RING - LID 105 x 5mm	3.50
2500300912	4, 5, 5.1 & 5.2	1	COMPLETE UNION PACKAGE - SUCTION/DISCHARGE - SLIP/HOSE	24.40
2500300915	4, 5, & 5.2	1	COMPLETE UNION PACKAGE - SUCTION/DISCHARGE - HOSE	15.00
2500300916	4, 5, & 5.1	1	COMPLETE UNION PACKAGE - SUCTION/DISCHARGE - SLIP	15.00
2500300913	4, 5, & 5.1	1	COMPLETE UNION PACKAGE - SUCTION/DISCHARGE - NPT	15.00
2500300909	4, 5, & 5.1	2	HALF UNION SET - NPT (INCLUDES NUT, THREADED UNION END & O-RING)	7.60
2500300910	4, 5, & 5.1	2	HALF UNION SET - SLIP (INCLUDES NUT, UNION END & O-RING)	7.60
2500300911	4, 5, & 5.2	2	HALF UNION SET - HOSE (INCLUDES NUT, HOSE ADAPTOR & O-RING)	7.60
2901314300	6	1	BASKET - ONE PIECE	10.20
2901310101	7	1	CASING	48.50
2901158200	8	1	DRAIN CAP 3/8" WITH GASKET - CASING	2.60
2921623131	9	1	IMPELLER (A91R) 0.5 THP (0.75 HP SPL) 92-100 / 4.5mm	20.20
2921623031	9.1	1	IMPELLER 0.5 THP (0.75 HP SPL) 100 / 4.5mm	20.20
2921623132	9.2	1	IMPELLER (-I) 0.75 THP (1.0 HP SPL) 98 / 6.5mm	20.80
2921623034	9.3	1	IMPELLER (-II & -II VSP) 1.0 THP (1.5 HP SPL) 98 / 9mm	20.80
2921606204	10	1	MECHANICAL SEAL (5/8") - CARBON/CERAMIC	14.00
2991000091	11	8	SCREW - CASING, HEX/WASHER/SLOT M7 x 48mm	4.00
2921641223	13	1	O-RING - CASING 165 x 6mm	7.50
2901316101	14	1	FLANGE/SEAL HOUSING	38.60
2920889410	15	1	LEGO (FOOT)	0.50

### Go Kits For The Model A91

SPK-A91-GOKIT	1	KIT INCLUDES THE FOLLOWING PARTS:		29.30
			2901341220 - O-RING LID 105 x 5mm	
			2921606204 - MECHANICAL SEAL (5/8") - CARBON/CERAMIC	
			2921641223 - O-RING CASING 165 x 6mm	
			2920241220 - O-RING UNION 50 x 3mm	



### REPLACEMENT MOTORS

Order #	MFR #	Model	THP	Specially Rated		Volts	List Price
				HP	S.F.		
<b><u>SINGLE SPEED, 48 FRAME, SPLITPHASE MOTOR (WITHOUT BASE)</u></b>							
S55NXPTT8267	S55NXPTT-8267	-I	0.75	1.0	SPL	115	\$ 244.50
S55CXPTU8268	S55CXPTU-8268	-II	1.0	1.5	SPL	115	229.60
<b><u>TWO SPEED, 48 FRAME, SPLITPHASE MOTOR (WITHOUT BASE)</u></b>							
S48AC08D29	S48AC08D29	-I	0.75	1.0	SPL	115	299.60
C48AB35D29	C48AB35D29	-II	1.0	1.5	SPL	115	315.90
<b><u>SINGLE SPEED, 48 FRAME, PSC MOTOR, "ENERGY EFFICIENT" (WITHOUT BASE)</u></b>							
87520TAA11U	87520TA-A11U		0.50	0.75	SPL	115	191.60
8752PTAA13U	8752PTA-A13U	-I	0.75	1.0	SPL	115	200.60
8752QTAA12U	8752QTA-A12U	-II	1.0	1.5	SPL	115	224.50
K055RMD2237	K55JXRMD-2237	-I	0.75			230/115	337.50
K055RME2238	K55JXRME-2238	-II	1.0			230/115	350.90
<b><u>VARIABLE SPEED, 48 Frame, 3/8" Threaded Stainless Steel Shaft, 50/60Hz Motor</u></b>							
ECPM750011		-II	1.1			115-230	684.30

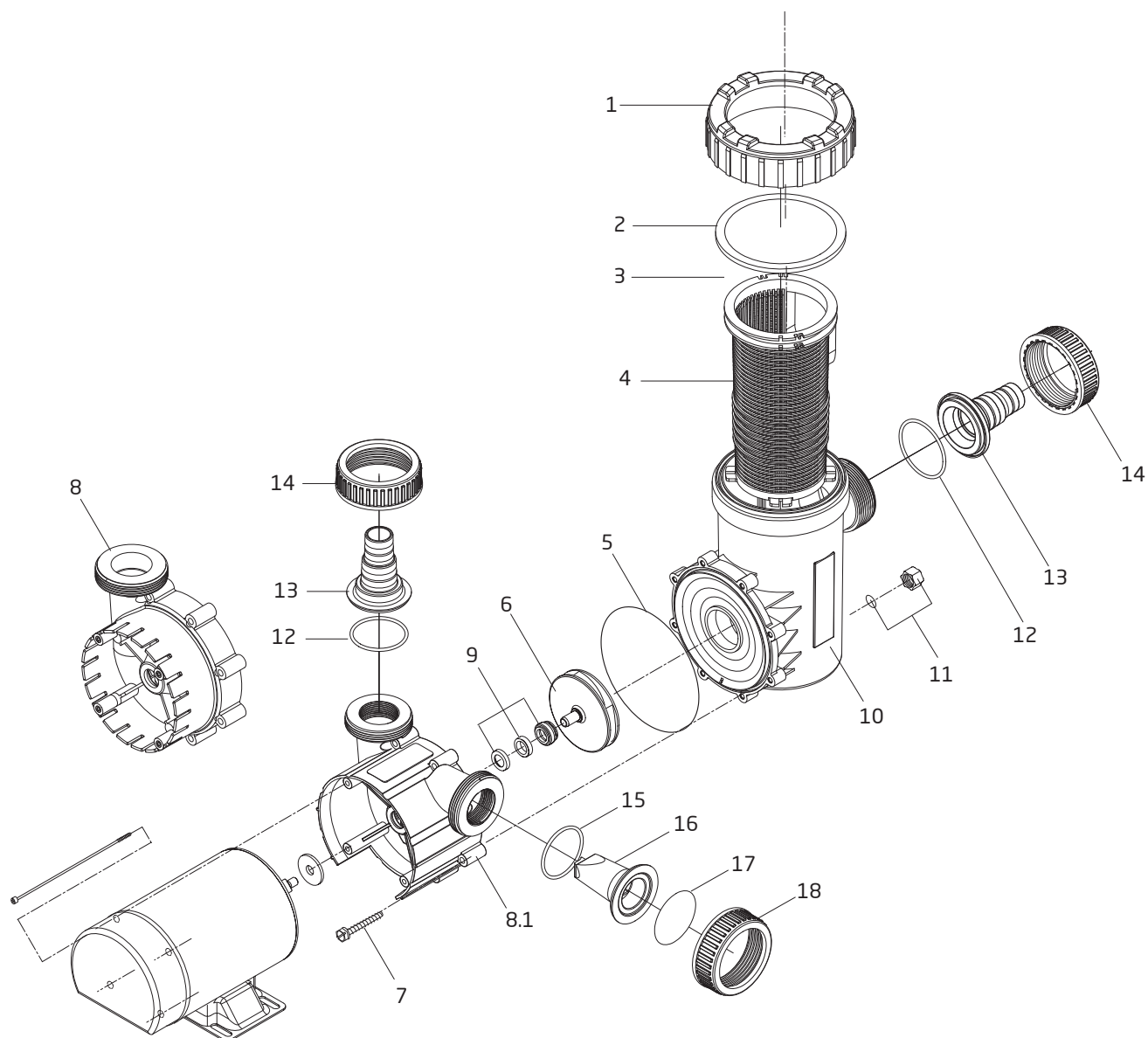
All motors have a 3/8" thread stainless steel shaft

# MODEL E71 Series

Above-Ground Swimming Pool Pump



Model E71-I, E71-II, E71-III & E71-II VHV



# MODEL E71 Series

## Above-Ground Swimming Pool Pump



### Model E71-I, E71-II, E71-III & E71-II VHV

Order #	Drawing Number	Qty Required	Description	List Price
2901116020	1	1	LOCK RING - LID	\$ 20.20
2901116010	2	1	LID - CLEAR	18.70
2901141201	3	1	O-RING - LID 137 x 5mm	3.00
2901114300	4	1	BASKET - ONE PIECE	16.20
2901141200	5	1	O-RING - CASING 144 x 4mm	3.10
2921923091	6	1	IMPELLER (-I) 0.75 THP (1.0 HP SPL) 99 / 4.5mm	50.30
2921923042	6.1	1	IMPELLER (-II) 1.0 THP (1.5 HP SPL) 98 / 9mm	50.30
2921923193	6.2	1	IMPELLER (-II VHV) 1.1 THP 106 / 9mm W/ INSERT	50.30
2921923193	6.3	1	IMPELLER (-III) 1.5 THP (2.0 HP SPL) 106 / 9mm W/ INSERT	50.30
2991000091	7	1	SCREW - CASING (HEX/WASHER/SLOT) M7 x 48mm	4.00
2901172115	8.1	1	CASING - DUAL DISCHARGE	37.90
2921606204	9	1	MECHANICAL SEAL (5/8") - CARBON/CERAMIC	14.00
2901110100B	10	1	STRAINER TANK	70.60
2901158201	11	1	ORANGE DRAIN CAP 3/8" WITH GASKET - CASING	2.60
2901172114	(12-14)	1	UNION PACKAGE - SUCTION/DISCHARGE - HOSE ADAPTOR KIT	24.10
2901191600K	(15-18)	1	PLUG KIT - DISCHARGE PORT ABS	14.70

### Parts Below Are Unique To The Model E71 Shipped Prior To November, 2016

2901210700	8*	1	CASING (**PUMP CASING INSERT REQUIRED)	19.00
2901111830	NOT SHOWN	1	PUMP CASING INSERT (-I)	8.30
2901111840	NOT SHOWN	1	PUMP CASING INSERT (-II)	8.30
2901111850	NOT SHOWN	1	PUMP CASING INSERT (-III)	8.30

### Optional Parts

2500300925	NOT SHOWN	1	UNION PACKAGE (1.5") - SUCTION/DISCHARGE - NPT/HOSE (STANDARD)	28.00
2921770003	NOT SHOWN	1	UNION PACKAGE (1.5") SLIP - SUCTION	13.30
7300313002	NOT SHOWN	1	UNION PACKAGE (1.5") SLIP - DISCHARGE	14.70
7300313000	NOT SHOWN	1	UNION PACKAGE (2.0") SLIP - DISCHARGE	15.20
2921770001	NOT SHOWN	1	UNION PACKAGE (2.0") SLIP - SUCTION	13.30
2921157700	NOT SHOWN	1	SPANNER - LID	13.20
2921116022	NOT SHOWN	1	LOCK RING WITH HANDLES - LID	34.40

### Go Kit for the Model E71, Model E71 VH, and Model E71 VHV

SPK-E71-GOKIT	1	KIT INCLUDES THE FOLLOWING PARTS:		25.00
---------------	---	-----------------------------------	--	-------



- 2901141201 - O-RING LID 137 x 5mm
- 2901141200 - O-RING CASING 144 x 4mm
- 2921606204 - MECHANICAL SEAL (5/8") CPL
- 2901141211 - O-RING UNION 68 x 3.5mm
- 2901141215 - O-RING UNION 60 x 3.5mm

### REPLACEMENT MOTORS

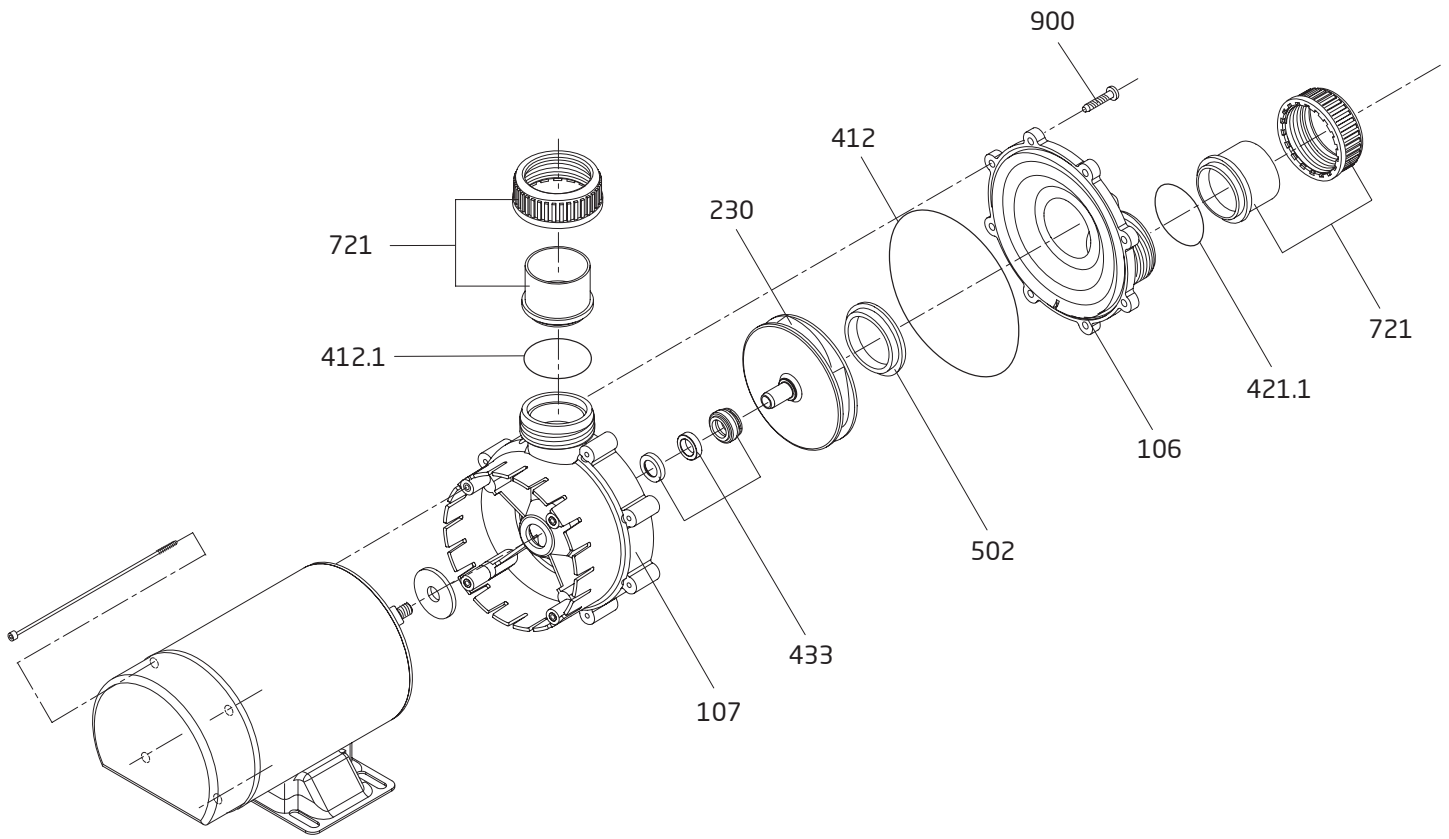
Order #	MFR #	Model	THP	Specially Rated			VOLTS	List Price
				HP	S.F.			
<b>SINGLE SPEED, 48 FRAME, SPLITPHASE MOTOR</b>								
0818688300	EZBN24	-I	0.75	1.0	SPL		115	\$ 204.40
0818688400	EZBN25	-II	1.0	1.5	SPL		115	229.60
0818688600	(EZ)BN35SS	-III	1.5	2.0	SPL		230	356.00
0818688500	(EZ)BN35SS	-IV	1.5	2.0	SPL		115	341.30
<b>TWO SPEED, FLEX-48, 48 FRAME, CAP START MOTOR</b>								
0815996300	BN36	-I	0.75	1.0	SPL		115	338.60
0817778200	BN37	-II	1.0	1.5	SPL		115	349.10
0817780300	BN50	-III	1.5	2.0	SPL		115	331.50
<b>VARIABLE SPEED, 48 FRAME, PERMANENT MAGNET TEFC MOTOR</b>								
ECPM750011		-II	1.1				115-230	684.30

All motors have a 3/8" thread stainless steel shaft



# MODEL E45

## Jetted Bathtub Pump



# MODEL E45

## Jetted Bathtub Pump



Order #	Drawing Number	Qty Required	Description	List Price
2901141200	412	1	O-RING, CASING LID 144 x 4mm	\$ 3.10
2921606204	433	1	MECHANICAL SEAL (5/8") - CARBON/CERAMIC	14.00
2920710751	107	1	CASING	58.10
2920750200	502	1	FLOATING EYE SEAL (WEAR RING)	7.50
2920710600	106	1	CASING LID	41.40
2920241220	421.1	2	O-RING, 50 x 3mm	2.60
2500310001	721	2	NUT - UNION (SAWTOOTH)	4.00
2921672130	721.1	2	UNION END 48.5mm - (1-1.5") SLIP	5.00
5879006035	900	8	SELF TAPPING SCREW 6 x 35mm PH SS	3.00
2921923091	230	1	IMPELLER (-I) 0.75 THP (1.0 HP SPL) 99 / 4.5mm	50.30
2921923042	230.1	1	IMPELLER (-II) 1.0 THP (1.5 HP SPL) 98 / 9mm	50.30
2921923093	230.2	1	IMPELLER (-III) 1.5 THP (2.0 HP SPL) 106 / 9mm	50.30
2500300916	NOT SHOWN	1	UNION PACKAGE COMPLETE 1.5"	15.00
2500300910	NOT SHOWN	2	UNION HALF PACKAGE 1.5"	7.60

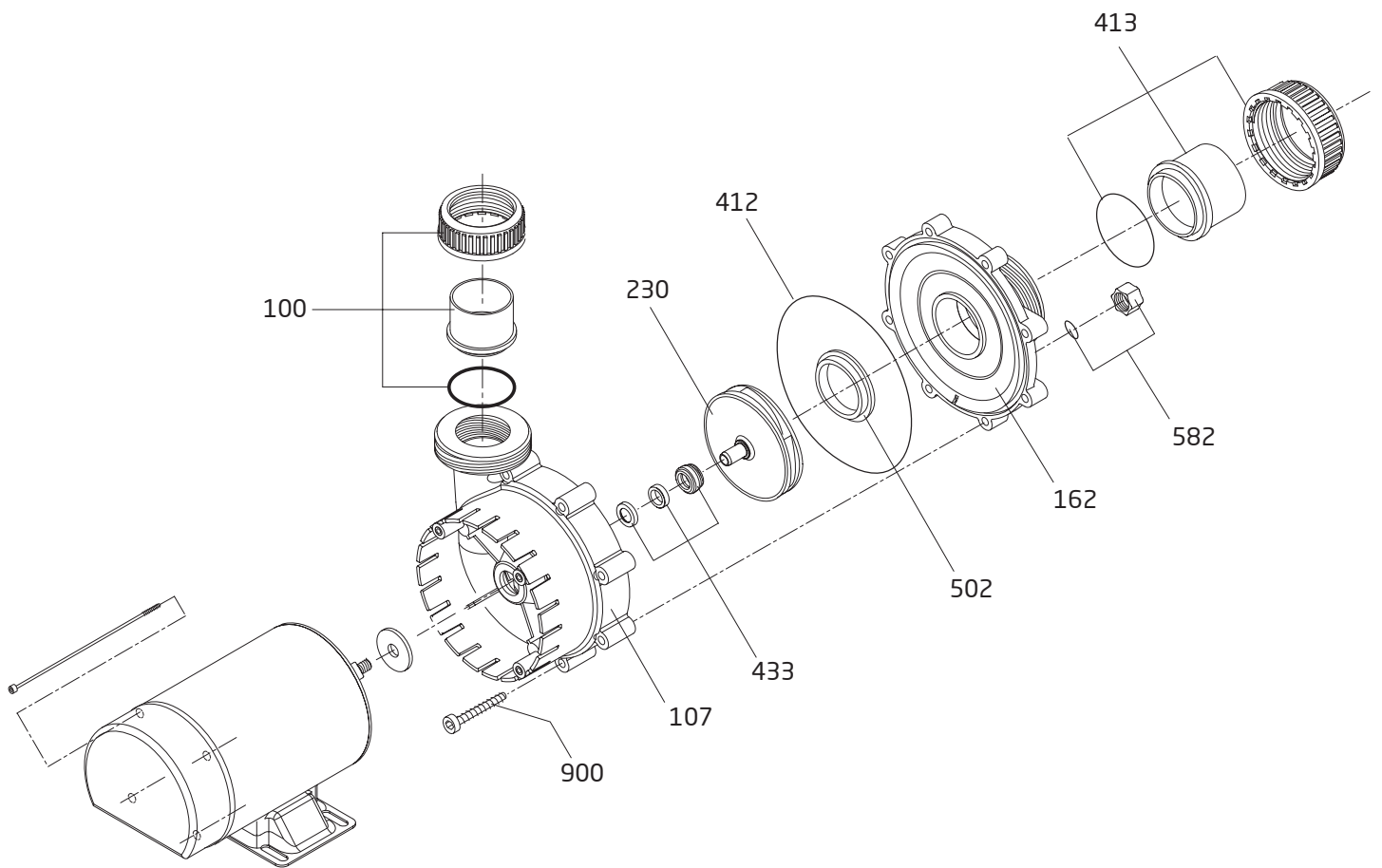
### REPLACEMENT MOTORS

Order #	MFR #	Model	THP	Specially Rated		Volts	List Price
				HP	S.F.		
<b><i>SINGLE SPEED, 48 FRAME, SPLITPHASE MOTOR</i></b>							
0818688300	EZBN24	-I	0.75	1.0	SPL	115	\$ 204.40
0818688400	EZBN25	-II	1.0	1.5	SPL	115	229.60
0818688600	(EZ)BN35SS	-III	1.5	2.0	SPL	230	356.00
<b><i>TWO SPEED, FLEX-48, 48 FRAME, CAP START MOTOR</i></b>							
0815996300	BN36	-I	0.75	1.0	SPL	115	338.60
0817778200	BN37	-II	1.0	1.5	SPL	115	349.10
0817780300	BN50	-III	1.5	2.0	SPL	115	331.50

All motors have a 3/8" thread stainless steel shaft

# MODEL E75

Spa Pump



# MODEL E75

## Spa Pump



Order #	Drawing Number	Qty Required	Description	List Price
2901210700	107	1	CASING	\$ 19.00
2920750200	502	1	FLOATING EYE SEAL (WEAR RING)	7.50
2921770001	413	1	UNION WITH NUT AND O-RING (2.0") - SUCTION (-II, -III, -IV)	13.30
2921770003	413.1	1	UNION WITH NUT AND O-RING (1.5") - SUCTION (-I)	13.30
2991000091	900	8	SCREW - M7 x 48.4mm (3/8") HEX A2	4.00
2921606204	433	1	MECHANICAL SEAL (5/8") - CARBON/CERAMIC	14.00
7300313000	100	1	UNION WITH NUT AND O-RING (2.0") - DISCHARGE (-II, -III, -IV)	15.20
7300313001	100.1	1	UNION WITH NUT AND O-RING (1.5") - DISCHARGE (-I)	14.70
2901141200	412	1	O-RING - CASING 144 x 4mm	3.10
2901158200	582	1	DRAIN CAP 3/8" WITH GASKET - CASING	2.60
2901216108	162	1	CASING LID	13.60
2921923091	230	1	IMPELLER (-I) 0.75 THP (1.0 HP SPL) 99 / 4.5mm (3/8") 6V	50.30
2921923192	230.1	1	IMPELLER (-II) 1.0 THP (1.5 HP SPL) 98 / 9mm (3/8") 6V W/ INS	50.30
2921923193	230.2	1	IMPELLER (-III) 1.5 THP (2.0 HP SPL) 106 / 9mm (3/8") 6V W/ INS	50.30
2921923094	230.3	1	IMPELLER (-IV) 2.0 THP (2.5 HP SPL) 111 / 9mm (3/8") 6V W/ INS	65.30
2500300917	100.1 & 413.1	1	UNION PACKAGE COMPLETE - 1.5"	28.00
2500300920	100 & 413	1	UNION PACKAGE COMPLETE - 2.0"	28.50

### REPLACEMENT MOTORS

Order #	MFR #	Model	THP	Specially Rated		Volts	List Price
				HP	S.F.		
<b><i>SINGLE SPEED, 48 FRAME, SPLITPHASE MOTOR</i></b>							
0818688300	(EZ)BN24	-I	0.75	1.0	SPL	115	\$ 204.40
0818688400	(EZ)BN25	-II	1.0	1.5	SPL	115	229.60
0818688600	(EZ)BN35SS	-III	1.5	2.0	SPL	115/230	356.00
0818688500	(EZ)BV35SS	-III	1.5	2.0	SPL	115	341.30
0818688700	BN40SS	-IV	2.0	2.5	SPL	115/230	435.10
<b><i>TWO SPEED, FLEX-48, 48 FRAME, CAP START MOTOR</i></b>							
0815996300	BN36	-I	0.75	1.0	SPL	115	338.60
0817778200	BN37	-II	1.0	1.5	SPL	115	349.10
0817780300	BN50	-III	1.5	2.0	SPL	115	331.50
0818247700	BN51	-IV	2.0	2.5	SPL	230	566.30

All motors have a 3/8" thread stainless steel shaft



# MODEL 21-80/30 G

## Swimming Pool Pump



Order #	Drawing Number	Qty Required	Description	List Price
2923592200	922	1	NUT - IMPELLER - PLASTIC W/ BRASS INSERT M12	\$ 15.50
5879340600	920.5	8	NUT - CASING BOLT M6 SS	0.80
2923591201	912	1	PLUG - CASING DRAIN (1/4")	1.00
2920191401	910	8	BOLT - CASING, PANHEAD/SLOT M6 x 97mm SS	7.80
2923190120	901.2	4	BOLT - MOTOR, HEX M8 x 16mm	1.70
2923151601	516	1	V-RING 18mm	9.10
2920343310	475	1	MECHANICAL SEAL (20mm) COMPLETE	53.40
2923541229	412.6	1	O-RING - SHAFT 16.9 x 2.75mm VITON	4.80
2923541220	412.2	1	O-RING - CASING DRAIN PLUG 12 x 2.5mm	0.60
2923141240	411	1	SHAFT WASHER 14/22 IT 400	1.00
2923141010	410	1	GASKET - SEAL HOUSING	31.60
2923223015	230	1	IMPELLER 0.50 HP S.F. 1.8 122 / 20mm	80.80
2923116100	161	1	SEAL HOUSING	93.80
2923116010	160.1	1	ALUMINUM FLANGE	163.50
2923110071	107	1	CASING	311.60
5871250600	920.4	8	WASHER M6 SS	0.60
2500200900	721	2	4" UNION PKG - (INCLUDES ADAPTOR, O-RING 123 x 6mm, UNION END, NUT)	115.00
2902041252	NOT SHOWN	2	O-RING - UNION 123 x 6mm	3.50
2902072116	NOT SHOWN	2	UNION END 114mm / 4"	18.40
2902072112	NOT SHOWN	2	NUT - UNION	46.60
2923172101	NOT SHOWN	2	ADAPTOR / UNION	49.60
2923141210	NOT SHOWN	2	O-RING - ADAPTOR/UNION 70 x 4.5mm	2.40
0818488300	800	1	MOTOR - 0.5 HP S.F. 1.8 115/230V	1,232.50

### Parts Unique To The Model 21-80/30G Shipped Prior To March, 2000

2923800040	230, 922, 412.6	1	IMPELLER UPGRADE - IMPELLER W / NUT & O-RING	107.40
2923541220	412.6	1	O-RING - SHAFT 12 x 2.5mm	0.60
2923592300	922	1	NUT - IMPELLER M12 SS	0

### Parts Unique To The Model 21-80/30G Shipped Prior To January 29, 2008

2500223433	721.3	2	ADAPTOR - CASING (2-3/4" x 3" NPT / 4") - THREADED	82.60
2923141210	721.4	2	O-RING - ADAPTOR 70 x 4.5 mm	2.40

### Optional Parts

2902099800	577	1	UNION WRENCH	48.90
------------	-----	---	--------------	-------

### Motor Unit For The Model 21-80

2088300005M		1	MOTOR UNIT COMPLETE (21-80/30) 0.5 HP, SINGLE PHASE	1,446.00
-------------	--	---	---	----------

### Go Kits For The Model 21-80 G

SPK-2180-GOKIT		1	KIT INCLUDES THE FOLLOWING PARTS:	114.20
----------------	--	---	-----------------------------------	--------

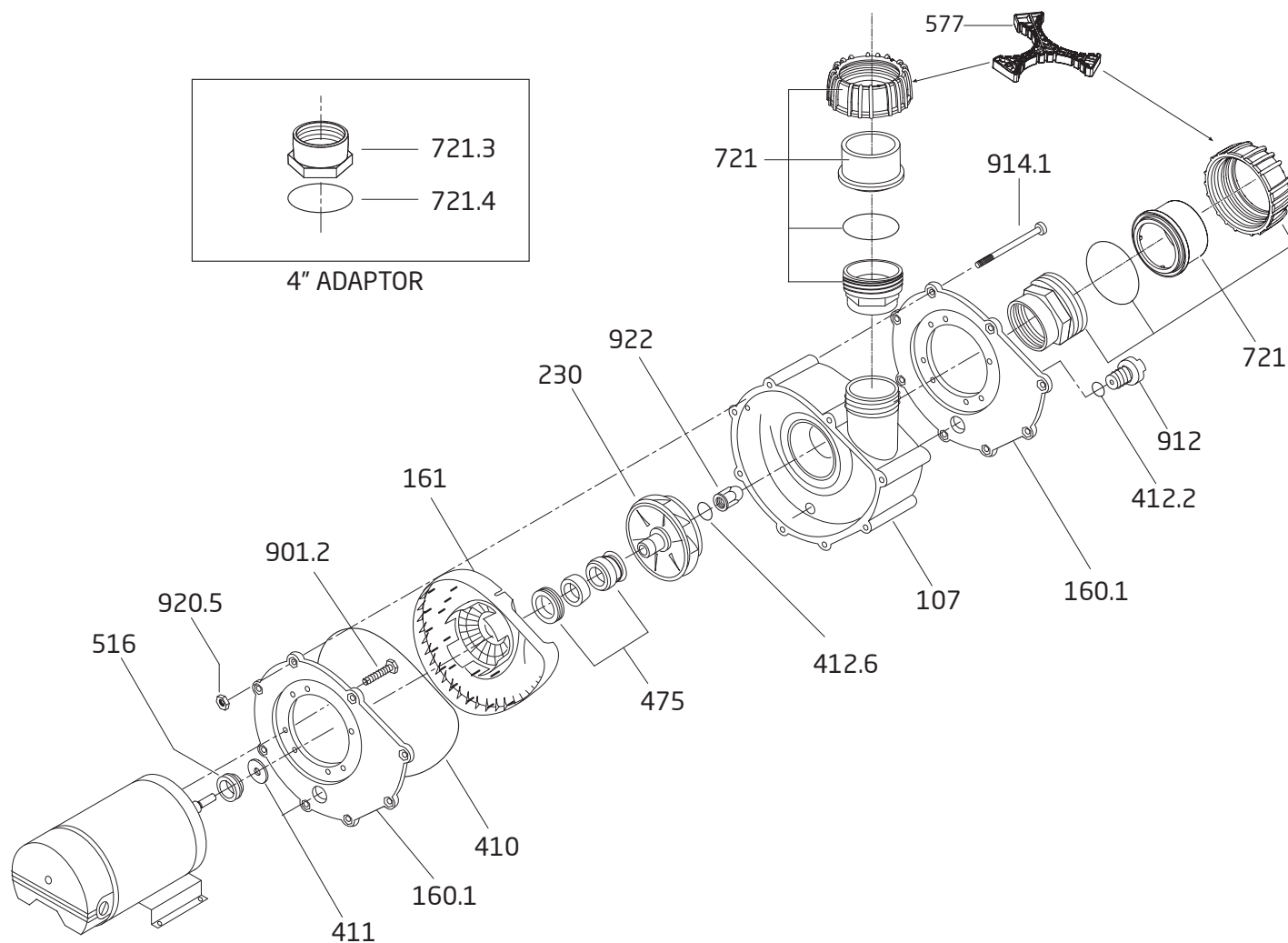


2923241231			O-RING FILLER PLUG 24 x 3.5mm	
2923541220			O-RING CASING DRAIN PLUG 12 x 2.5mm	
2923151601			V-RING 18mm	
2920343310			MECHANICAL SEAL (20mm) CPL	
2923541229			O-RING SHAFT 16.9 x 2.75mm	
2923241200			O-RING CASING 210 x 4mm	
2923141010			SEAL HOUSING GASKET	
2902041252			O-RING UNION 123 x 6mm	
2923141210			O-RING UNION ADAPTER 70 x 4.5mm	



# MODEL 21-80 G

## Swimming Pool Pump



# MODEL 21-80 G

## Swimming Pool Pump



Order #	Drawing Number	Qty Required	Description	List Price
2923592200	922	1	NUT - IMPELLER - PLASTIC W/ BRASS INSERT M12	\$ 15.50
5879340600	920.5	8	NUT - CASING BOLT M6 SS	0.80
2923591201	912	1	PLUG - CASING DRAIN (1/4")	1.00
2920191401	914.1	8	BOLT - CASING, PANHEAD/SLOT M6 x 97mm SS	7.80
2923190120	901.2	4	BOLT - MOTOR, HEX M8 x 16mm	1.70
2923151601	516	1	V-RING 18mm	9.10
2920343310	475	1	MECHANICAL SEAL (20mm) COMPLETE	53.40
2923541229	412.6	1	O-RING - SHAFT 16.9 x 2.75mm VITON	4.80
2923541220	412.2	1	O-RING - CASING DRAIN PLUG 12 x 2.5mm	0.60
2923141240	411	1	SHAFT WASHER 14/22 IT 400	1.00
2923141010	410	1	GASKET - SEAL HOUSING	31.60
2923223013	230	1	IMPELLER 3.0 HP S.F. 1.15 106-122 / 20mm	80.80
2923223014	230.1	1	IMPELLER 4.0 HP S.F. 1.25 113-122 / 20mm	80.80
2923223035	230.2	1	IMPELLER 6.0 HP S.F. 1.0 120-122 / 20mm	80.80
2923116100	161	1	SEAL HOUSING	93.80
2923116010	160.1	2	ALUMINUM FLANGE	163.50
2923110071	107	1	CASING	311.60
2500200900	721	2	4" UNION PKG - (INCLUDES ADAPTOR, O-RING 123 x 6mm, UNION END, NUT)	115.00
2902041252	NOT SHOWN	2	O-RING - UNION 123 x 6mm	3.50
2902072116	NOT SHOWN	2	UNION END 114mm / 4"	18.40
2902072112	NOT SHOWN	2	NUT - UNION	46.60
2923172101	NOT SHOWN	2	ADAPTOR / UNION	49.60
2923141210	NOT SHOWN	2	O-RING - ADAPTOR/UNION 70 x 4.5 mm	2.40

### Parts Unique To The Model 21-80/ G Shipped Prior To March, 2000

2923800050	230, 922, 412.6	1	IMPELLER UPGRADE - IMPELLER (3.0 HP) W / NUT & O-RING	101.20
2923800020	230.1, 922, 412.6	1	IMPELLER UPGRADE - IMPELLER (4.0 HP) W / NUT & O-RING	101.20
2923800060	230.2, 922, 412.6	1	IMPELLER UPGRADE - IMPELLER (6.0 HP) W / NUT & O-RING	101.20
2923541220	412.6	1	O-RING - SHAFT 12 x 2.5mm	0.60
2923592300	922	1	NUT - IMPELLER M12 SS	9.40

### Parts Unique To The Model 21-80/ G Shipped Prior To January 29, 2008

2500223433	721.3	2	ADAPTOR - CASING (2-3/4" x 3" NPT / 4") - THREADED	82.60
2923141210	721.4	2	O-RING - ADAPTOR 70 x 4.5 mm	2.40

### Optional Parts

2902099800	577	1	UNION WRENCH	48.90
------------	-----	---	--------------	-------

### Motor Units For The Model 21-80

2088330005M		1	MOTOR UNIT COMPLETE (21-80/33) 4HP, SINGLE PHASE	1,575.00
2088330007M		1	MOTOR UNIT COMPLETE (21-80/33) 4HP, THREE PHASE	1,624.00
2088340005M		1	MOTOR UNIT COMPLETE (21-80/34) 6HP, SINGLE PHASE	1,813.00
2088340007M		1	MOTOR UNIT COMPLETE (21-80/34) 6HP, THREE PHASE	1,597.00

### Go Kits For The Model 21-80 G

SPK-2180-GOKIT		1	KIT INCLUDES THE FOLLOWING PARTS:	114.20
----------------	--	---	-----------------------------------	--------

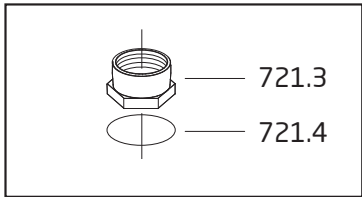


- 2923241231 - O-RING FILLER PLUG 24 x 3.5mm
- 2923541220 - O-RING CASING DRAIN PLUG 12 x 2.5mm
- 2923151601 - V-RING 18mm
- 2920343310 - MECHANICAL SEAL (20mm) CPL
- 2923541229 - O-RING SHAFT 16.9 x 2.75mm
- 2923241200 - O-RING CASING 210 x 4mm
- 2923141010 - SEAL HOUSING GASKET
- 2902041252 - O-RING UNION 123 x 6mm
- 2923141210 - O-RING UNION ADAPTER 70 x 4.5mm

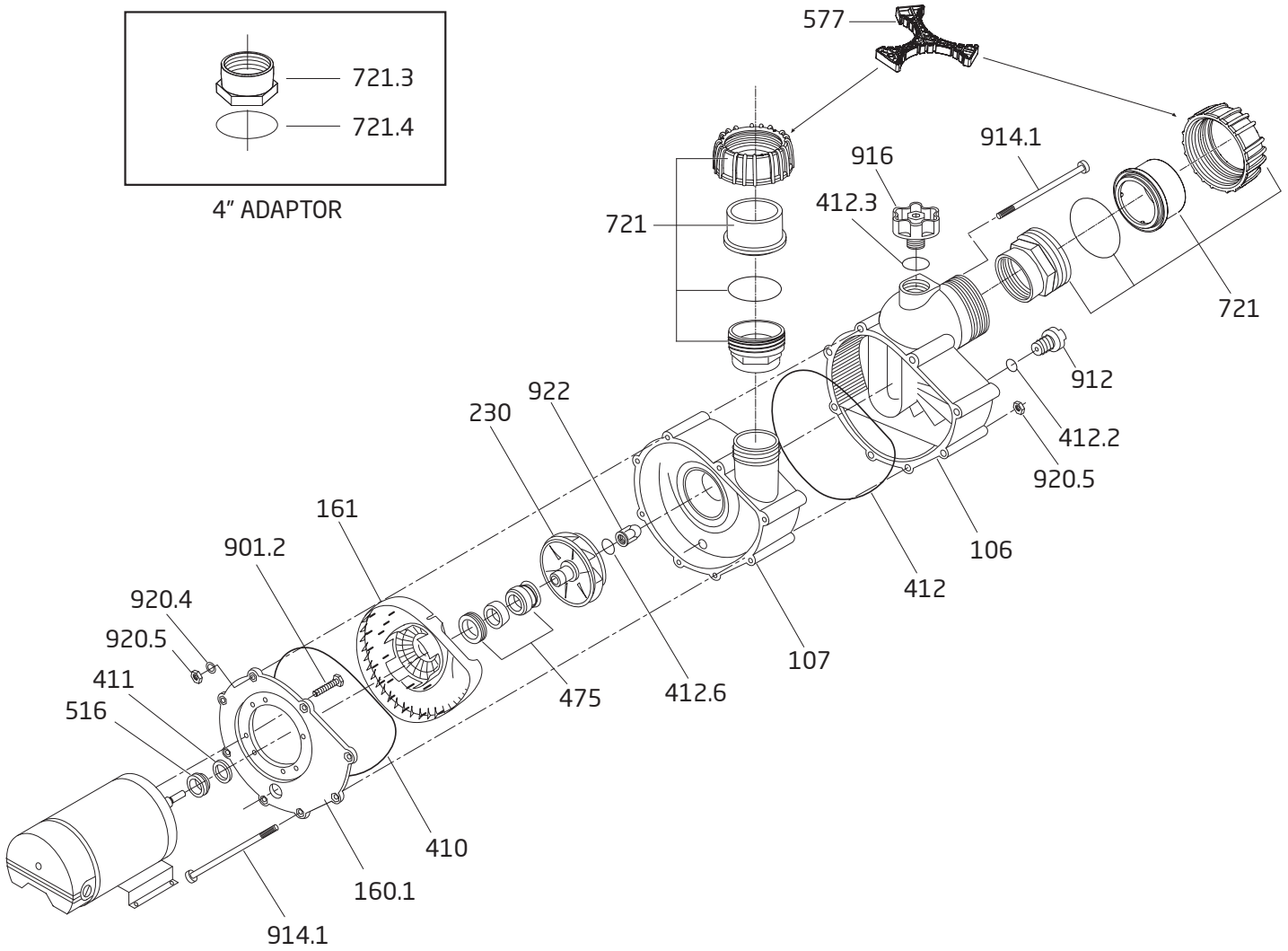
**\*\*SEE PAGE 155 FOR REPLACEMENT MOTORS**

# MODEL 21-80 GS

## Swimming Pool Pump



4" ADAPTOR



# MODEL 21-80 GS

## Swimming Pool Pump



Order #	Drawing Number	Qty Required	Description	List Price
2923592200	922	1	NUT - IMPELLER - PLASTIC W/ BRASS INSERT M12	\$ 15.50
5879340600	920.5	8	NUT - CASING BOLT M6 SS	0.80
2991000012	920.4	2	WASHER - CASING BOLT (#12) TOP 2 BOLTS ONLY SS	0.40
2922091600	916	1	FILLER PLUG (3/4")	10.90
2923241231	412.3	1	O-RING - FILLER PLUG 24 x 3.5mm	0.80
2923541220	412.2	1	O-RING - CASING DRAIN PLUG 12 x 2.5mm	0.60
2923591200	912	1	CASING DRAIN PLUG (1/4") HEX HEAD	5.50
2923291000	914.1	8	BOLT - CASING, PHILLIPS M6 x 170mm SS	16.50
2923190120	901.2	4	BOLT - MOTOR, HEX M8 x 16mm	1.70
2923151601	516	1	V-RING 18mm	9.10
2920343310	475	1	MECHANICAL SEAL (20mm) COMPLETE	53.40
2923541229	412.6	1	O-RING - SHAFT 16.9 x 2.75mm VITON	4.80
2923241200	412	1	O-RING - CASING 210 x 4mm	6.40
2923141240	411	1	SHAFT WASHER 14/22 IT 400	1.00
2923141010	410	1	GASKET - SEAL HOUSING	31.60
2923223013	230	1	IMPELLER 3.0 HP S.F. 1.15 106-122 / 20mm	80.80
2923223014	230.1	1	IMPELLER 4.0 HP S.F. 1.25 113-122 / 20mm	80.80
2923223035	230.2	1	IMPELLER 6.0 HP S.F. 1.0 120-122 / 20mm	80.80
2923116100	161	1	SEAL HOUSING	93.80
2923116010	160.1	1	ALUMINUM FLANGE	163.50
2923210722	107	1	DISCHARGE HOUSING	322.70
2923210620	106	1	SUCTION HOUSING	311.60
2500200900	721	2	4" UNION PKG - (INCLUDES ADAPTOR, O-RING 123 x 6mm, UNION END, NUT)	115.00
2902041252	NOT SHOWN	2	O-RING - UNION 123 x 6mm	3.50
2902072116	NOT SHOWN	2	UNION END 114mm/4"	18.40
2902072112	NOT SHOWN	2	NUT - UNION	46.60
2923172101	NOT SHOWN	2	ADAPTOR / UNION	49.60
2923141210	NOT SHOWN	2	O-RING - ADAPTOR / UNION 70 x 4.5mm	2.40

### Parts Unique To The Model 21-80/ GS Shipped Prior To March, 2000

2923800050	230, 922, 412.6	1	IMPELLER UPGRADE - IMPELLER (3.0 HP) W / NUT & O-RING	101.20
2923800020	230.1, 922, 412.6	1	IMPELLER UPGRADE - IMPELLER (4.0 HP) W / NUT & O-RING	101.20
2923800060	230.2, 922, 412.6	1	IMPELLER UPGRADE - IMPELLER (6.0 HP) W / NUT & O-RING	101.20
2923541220	412.6	1	O-RING - SHAFT 12 x 2.5mm	0.60
2923592300	922	1	NUT - IMPELLER M12 SS (OLD STYLE)	9.40

### Parts Unique To The Model 21-80/ GS Shipped Prior To January 29, 2008

2500223433	721.3	2	ADAPTOR - CASING (2-3/4" x 3" NPT / 4") - THREADED	82.60
2923141210	721.4	2	O-RING - ADAPTOR 70 x 4.5 mm	2.40

### Optional Parts

2902099800	577	1	UNION WRENCH	48.90
------------	-----	---	--------------	-------

### Motor Units For The Model 21-80

2088330005M	1	MOTOR UNIT COMPLETE (21-80/33) 4HP, SINGLE PHASE	1,575.00
2088330007M	1	MOTOR UNIT COMPLETE (21-80/33) 4HP, THREE PHASE	1,624.00
2088340005M	1	MOTOR UNIT COMPLETE (21-80/34) 6HP, SINGLE PHASE	1,813.00
2088340007M	1	MOTOR UNIT COMPLETE (21-80/34) 6HP, THREE PHASE	1,597.00

### Go Kits For The Model 21-80 GS

SPK-2180-GOKIT	1	KIT INCLUDES THE FOLLOWING PARTS:	114.20
----------------	---	-----------------------------------	--------

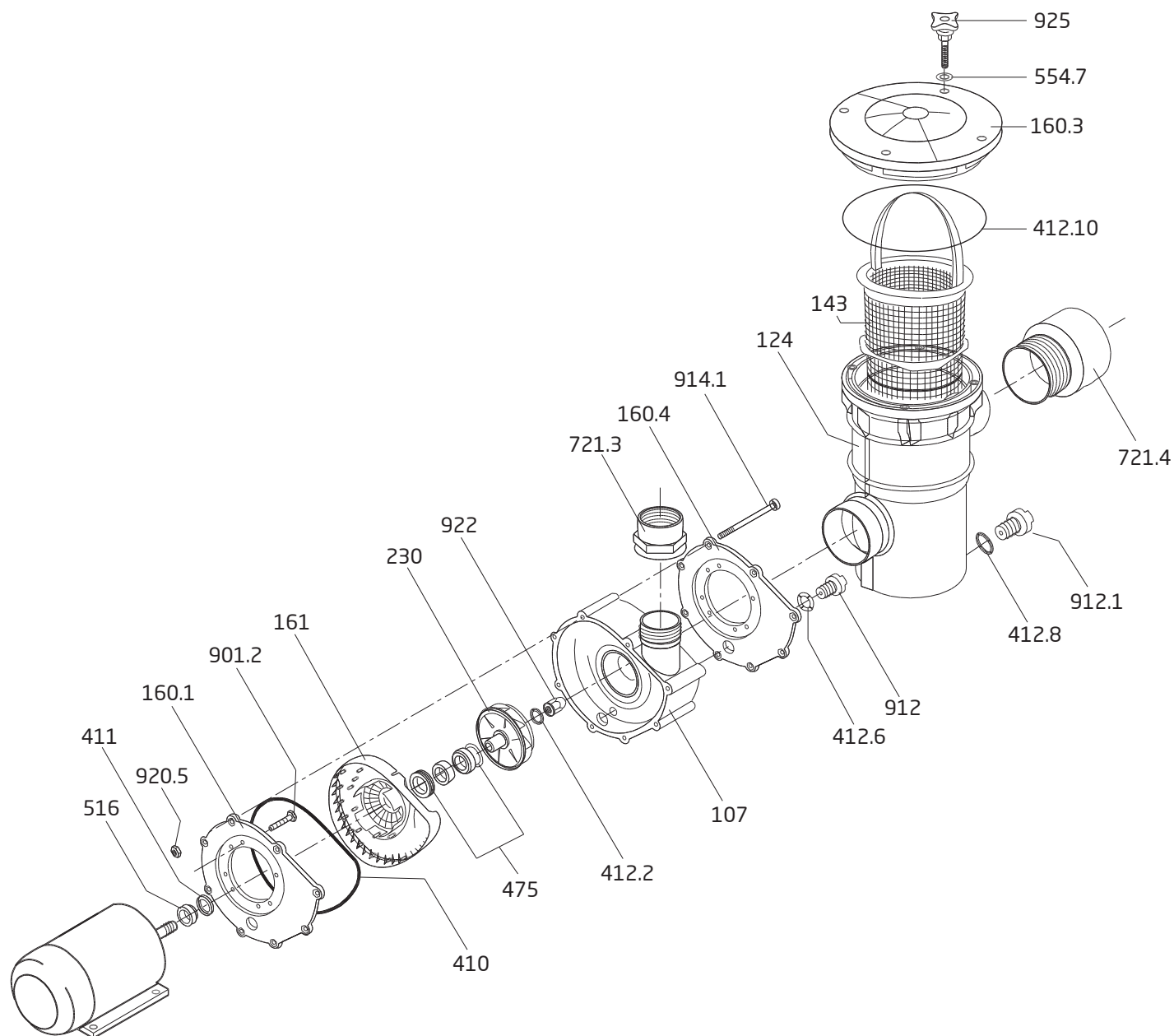


- 2923241231 - O-RING FILLER PLUG 24 x3.5mm
- 2923541220 - O-RING CASING DRAIN PLUG 12 x 2.5mm
- 2923151601 - V-RING 18mm
- 2920343310 - MECHANICAL SEAL (20mm) CPL
- 2923541229 - O-RING SHAFT 16.9 x 2.75mm
- 2923241200 - O-RING CASING 210 x 4mm
- 2923141010 - SEAL HOUSING GASKET
- 2902041252 - O-RING UNION 123 x 6mm
- 2923141210 - O-RING UNION ADAPTER 70 x 4.5mm

**\*\*SEE PAGE 155 FOR REPLACEMENT MOTORS**

# MODEL 21-80 BS

## Swimming Pool Pump



# MODEL 21-80 BS

## Swimming Pool Pump



Order #	Drawing Number	Qty Required	Description	List Price
2923592200	922	1	NUT - IMPELLER - PLASTIC W/ BRASS INSERT M12	\$ 15.50
5879340600	920.5	8	NUT - CASING BOLT M6 SS	0.80
2920912403	124	1	STRAINER TANK	543.00
2920791211	912.1	1	PLUG - STRAINER TANK DRAIN (3/4")	3.70
2923591200	912	1	PLUG - CASING DRAIN (1/4") HEX HEAD	5.50
2923241231	412.8	1	O-RING - STRAINER TANK DRAIN PLUG 24 x 3.5mm	0.80
2923000006M	721.4	1	SUCTION FITTING (3" MPT x 4" SLIP)	111.90
2920191401	914.1	8	BOLT - CASING, PANHEAD/SLOT M6 x 97mm SS	7.80
2923190120	901.2	4	BOLT - MOTOR, HEX M8 x 16mm	1.70
2923151601	516	1	V-RING 18mm	9.10
2920343310	475	1	MECHANICAL SEAL (20mm) COMPLETE	53.40
2920914300	143	1	BASKET - COMPLETE	53.00
2923541229	412.2	1	O-RING - SHAFT 16.9 x 2.75mm VITON	4.80
2923541220	412.6	1	O-RING - CASING DRAIN PLUG 12 x 2.5mm	0.60
2920916000	160.3	1	LID - CLEAR	174.40
2920941210	412.10	1	O-RING - LID 185 x 6mm	16.10
2920992501	925	4	LID KNOB WITH BOLT M10	41.40
2991000026	554.7	4	WASHER - LID BOLT M10	1.00
2923141240	411	1	SHAFT WASHER 14/22 IT 400	1.00
2923141010	410	1	GASKET - SEAL HOUSING	31.60
2923223015	230	1	IMPELLER (21-80/30) 0.5 HP S.F. 1.8 122 / 20mm	78.50
2923223014	230.1	1	IMPELLER (21-80/33) 4.0 HP S.F. 1.25 113 - 122 / 20mm	80.80
2923223035	230.2	1	IMPELLER (21-80/34) 6.0 HP S.F. 1.0 120 - 122 / 20mm	80.80
2923116100	161	1	SEAL HOUSING	93.80
2923116010	160.1	1	ALUMINUM FLANGE - MOTOR	163.50
2923116040	160.4	1	ALUMINUM FLANGE - CASING	186.50
2923110726	107	1	CASING	311.60
2500223433	721.3	1	ADAPTOR - CASING (2-3/4" x 3" NPT/4")	82.60
2923141210	NOT SHOWN	1	O-RING - ADAPTOR 70 x 4.5mm	2.40

### Parts Unique To The Model 21-80/BS Shipped Prior To March, 2000

2923800040	230, 922, 412.2	1	IMPELLER UPGRADE - IMPELLER (3.0 HP) W / NUT & O-RING	107.40
2923800020	230.1, 922, 412.2	1	IMPELLER UPGRADE - IMPELLER (4.0 HP) W / NUT & O-RING	101.20
2923800060	230.2, 922, 412.2	1	IMPELLER UPGRADE - IMPELLER (6.0 HP) W / NUT & O-RING	101.20
2923541220	412.6	1	O-RING - SHAFT 12 x 2.5mm	0.60
2923592300	922	1	NUT - IMPELLER M12 SS	9.40

### Parts For The Extra Large Strainer Tank Shipped Prior To January, 1995

2500223403	NOT SHOWN	1	ADAPTOR - CASING (2-3/4" x 3" BSP)	82.70
2920141210	NOT SHOWN	1	O-RING - ADAPTOR 90 x 5mm	3.20
2920941210	412.10	1	O-RING - LID 185 x 6mm	16.10
2920916003	160.3	1	LID COMPLETE (LID BOLT 8 mm)	197.10
2920914300	143	1	BASKET - COMPLETE	53.00
2920912402	124	1	STRAINER TANK	DISCONTINUED
2920791211	912.1	1	PLUG - STRAINER TANK DRAIN (3/4")	3.70
2923241231	412.8	1	O-RING - STRAINER TANK DRAIN PLUG 24 x 3.5mm	0.80

**\*\*SEE PAGE 155 FOR REPLACEMENT MOTORS**

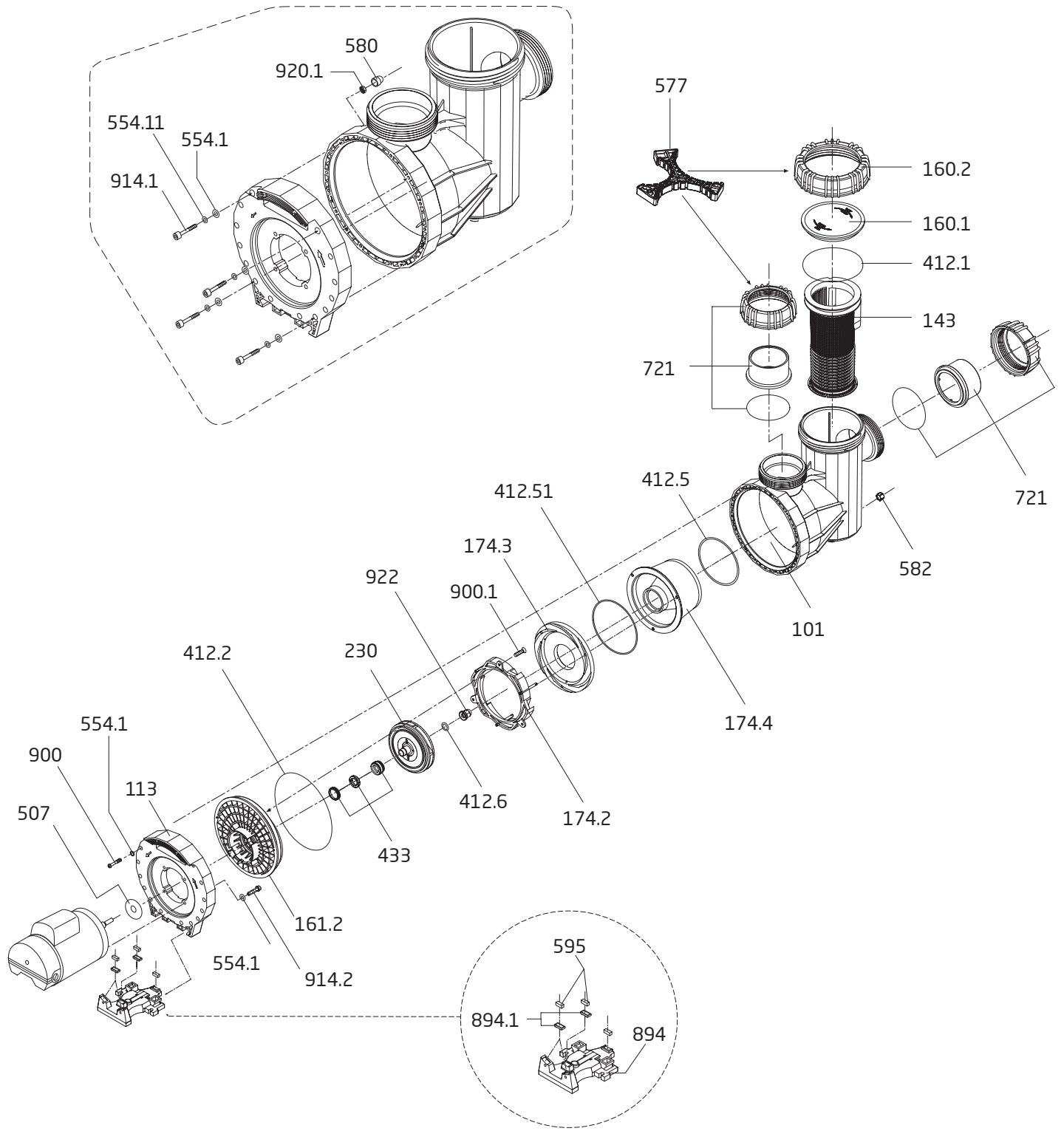


# MODEL 95

## Swimming Pool Pump



### Model 95-V, 95-VI & 95-VIII



# MODEL 95

## Swimming Pool Pump



### Model 95-V, 95-VI & 95-VIII

Order #	Drawing Number	Qty Required	Description	List Price
2902016020	160.2	1	LOCK RING - LID	\$ 41.60
2902016010	160.1	1	LID - CLEAR	40.00
2902041210	412.1	1	O-RING - LID 175 x 6.5mm	39.30
2902099800	577	1	SPANNER - LID, UNIONS	48.90
2902014300	143	1	BASKET - ONE PIECE	25.30
2902072154	721	2	UNION HALF PACKAGE - COMPLETE	67.50
2901158200	582	1	DRAIN CAP 3/8" WITH GASKET - CASING	2.60
2902010158	101	1	CASING	297.00
5879120665	914.1	4	BOLT - CASING ALLEN HEAD M6 x 65mm	7.20
5871250600	554.11	4	WASHER - CASING BOLT M6	0.50
2921192015	920.1	4	NUT - M6 SERRATED - CASING BOLT	1.40
2902058000	580	4	PROTECTIVE CAP - CASING BOLT	2.50
2902041252A	412.5	1	O-RING - DIFFUSER 123 x 5mm	2.70
2902017425	174.2	1	DIFFUSER	13.50
2902017421	174.4	1	CONFUSOR FOR DIFFUSER	50.00
2902017424	174.3	1	COVER DISK - DIFFUSER	13.80
2902041251	412.51	1	O-RING - CONFUSOR 145 x 2.5mm	13.50
2902021129	230	1	IMPELLER (-V) 2.4 THP (2.0 HP S.F. 1.2) 112 / 9mm	59.70
2902011411	230.1	1	IMPELLER (-VI) 3.45 THP (3.0 HP S.F. 1.15) 114 / 11.75mm	59.70
2902012112	230.2	1	IMPELLER (-VIII) 5.0 THP (4.0 HP S.F. 1.25) 123 / 12.5mm	59.70
2923541229	412.6	1	O-RING - SHAFT 16.9 x 2.75mm	4.80
2902041220	412.2	1	O-RING - CASING 265 x 6mm	44.20
2923592200	922	1	NUT - IMPELLER - PLASTIC W/ BRASS INSERT M12	15.50
2920343310	433	1	MECHANICAL SEAL (20mm) COMPLETE	53.40
2902016121	161.2	1	SEAL HOUSING 150mm	57.80
5879120835	914.2	4	BOLT - MOTOR ALLEN HEAD M8 x 35mm	3.70
5871250800	554.1	20	WASHER - MOTOR BOLT - CASING SCREW 8.4mm	0.60
2902011300	113	1	FLANGE	67.40
5879825522	900.1	3	SCREW - DIFFUSER 5.5 x 22mm	2.40
2921690002	900	12	SCREW - CASING - ALLEN HEAD M7 x 48mm	2.70
2902089400	894	1	BASE - MOTOR	38.60
2901489420	NOT SHOWN	1	MOTOR SUPPORT - MOTOR BASE	4.00
2902090020	NOT SHOWN	2	SCREW - BASE 4 x 16mm	1.00
2920359501	595	2	RUBBER BUFFER 10 x 10 x 27mm	3.80
2920889420	595.1	1	GASKET - MOTOR SUPPORT 1.4" x 7/16" x 1"	0.70
2920889410	894.1	10	LEGO	0.50
2923151601	NOT SHOWN	1	V-RING 18mm	9.10

#### Go Kits For The Model 95

SPK-95-GOKIT	1	KIT INCLUDES THE FOLLOWING PARTS:	152.30
--------------	---	-----------------------------------	--------



- 2902041210 - O-RING LID 175 x 6.5mm
- 2902041252A - O-RING DIFFUSER 123 x 5mm
- 2920343310 - MECHANICAL SEAL (20mm) CPL
- 2902041220 - O-RING CASING 265 x 6mm
- 2902041252 - O-RING UNION 123 x 6mm
- 2923541229 - O-RING SHAFT 16.9 x 2.75mm

#### REPLACEMENT MOTORS

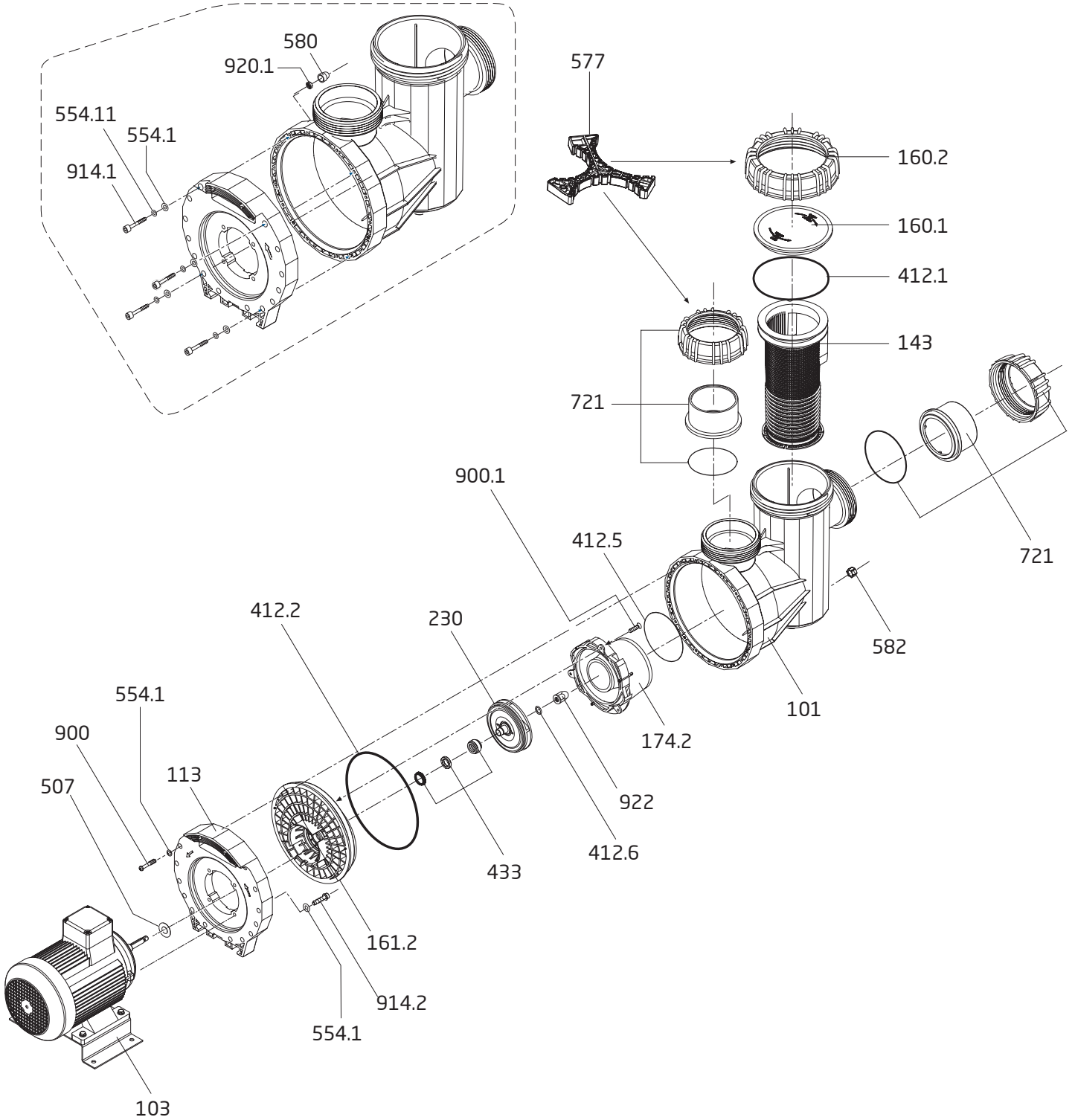
Order #	MFR #	Model	THP	Full Rate HP	S.F.	Volts	Motor/Frame	List Price
<b>SINGLE SPEED</b>								
K63FLD5114	K63FLD-5114	-VIII	5.0	4.0	1.25	208-230	ODP 56	\$ 883.90
<b>TWO SPEED</b>								
B63SVABA1022	B63SVABA-1022	-VIII	5.0	4.0	1.25	230	ODP 56	0
<b>THREE PHASE</b>								
080000DS98	DS98	-VIII	5.0	4.0	1.25	208-230/460	ODP 56	968.00

# MODEL 95

## Swimming Pool Pump



### Model 95-IX & 95-X



# MODEL 95

## Swimming Pool Pump




### Model 95-IX & 95-X

Order #	Drawing Number	Qty Required	Description	List Price
2902016020	160.2	1	LOCK RING - LID	\$ 41.60
2902016010	160.1	1	LID - CLEAR	40.00
2902041210	412.1	1	O-RING - LID 175 x 6.5mm	39.30
2902099800	577	1	SPANNER - LID, UNIONS	48.90
2902014300	143	1	BASKET - ONE PIECE	25.30
2902072154	721	2	UNION HALF PACKAGE - COMPLETE	67.50
2901158200	582	1	DRAIN CAP 3/8" WITH GASKET - CASING	2.60
2902010158L	101	1	CASING	297.00
5879120665	914.1	4	BOLT - CASING M6 x 65mm (ALLEN HEAD)	7.20
5871250600	554.11	4	WASHER - CASING BOLT M6	0.50
2921192015	920.1	4	NUT - M6 SERRATED - CASING BOLT	1.40
2902058000	580	4	PROTECTIVE CAP - CASING BOLT	2.50
2902041252A	412.5	1	O-RING - DIFFUSER 123 x 5mm	2.70
2902017422	174.2	1	DIFFUSER	53.10
2923223025	230	1	IMPELLER (-IX) 5.75 THP (5.0 HP S.F. 1.15) 115-122/20mm	80.80
2902023008	230.1	1	IMPELLER (-X) 8.6 THP (7.5 HP S.F. 1.15) 3 PHASE 127/20mm	80.80
2923223037	230.2	1	IMPELLER (-X) 8.6 THP (7.5 HP S.F. 1.15) 1 PHASE 125/20mm	80.80
2923541229	412.6	1	O-RING - SHAFT 16.9 x 2.75mm	4.80
2902041220	412.2	1	O-RING - CASING 265 x 6mm	44.20
2923592200	922	1	NUT - IMPELLER - PLASTIC W/ BRASS INSERT M12	15.50
2920343310	433	1	MECHANICAL SEAL (20mm) COMPLETE	53.40
2902016122	161.2	1	SEAL HOUSING 135mm	57.80
5879120835	914.2	4	BOLT - MOTOR ALLEN HEAD M8 x 35mm	3.70
5871250800	554.1	20	WASHER - MOTOR BOLT - CASING SCREW 8.4mm	0.60
2902011300	113	1	FLANGE	67.40
2920850702	507	1	SLINGER (SPLASH RING) 45 x 18 x 4mm	3.50
5879825522	900.1	3	SCREW - DIFFUSER 5.5 x 22mm	2.40
2921690002	900	12	SCREW - CASING - ALLEN HEAD M7 x 48mm	2.70
2923000003	103	1	MOTOR BASE	105.00
2991000150	NOT SHOWN	1	SOCKET WRENCH EXTENSION TOOL	29.80

#### Motor Units For The Model 95

2195360001M	NOT SHOWN	1	MOTOR UNIT COMPLETE (95-IX) 5.0 HP, SINGLE PHASE	2,306.00
2195360007M	NOT SHOWN	1	MOTOR UNIT COMPLETE (95-IX) 5.0 HP, THREE PHASE	2,150.00
2195370001M	NOT SHOWN	1	MOTOR UNIT COMPLETE (95-X) 7.5 HP, SINGLE PHASE	3,281.00
2195370007M	NOT SHOWN	1	MOTOR UNIT COMPLETE (95-X) 7.5 HP, THREE PHASE	2,254.00

#### Go Kits For The Model 95

SPK-95-GOKIT	1	KIT INCLUDES THE FOLLOWING PARTS:	152.30
		2902041210 - O-RING LID 175 x 6.5mm	
		2902041252A - O-RING DIFFUSER 123 x 5mm	
		290343310 - MECHANICAL SEAL (20mm) CPL	
		2902041220 - O-RING CASING 265 x 6mm	
		2902041252 - O-RING UNION 123 x 6mm	
		2923541229 - O-RING SHAFT 16.9 x 2.75mm	

#### REPLACEMENT MOTORS

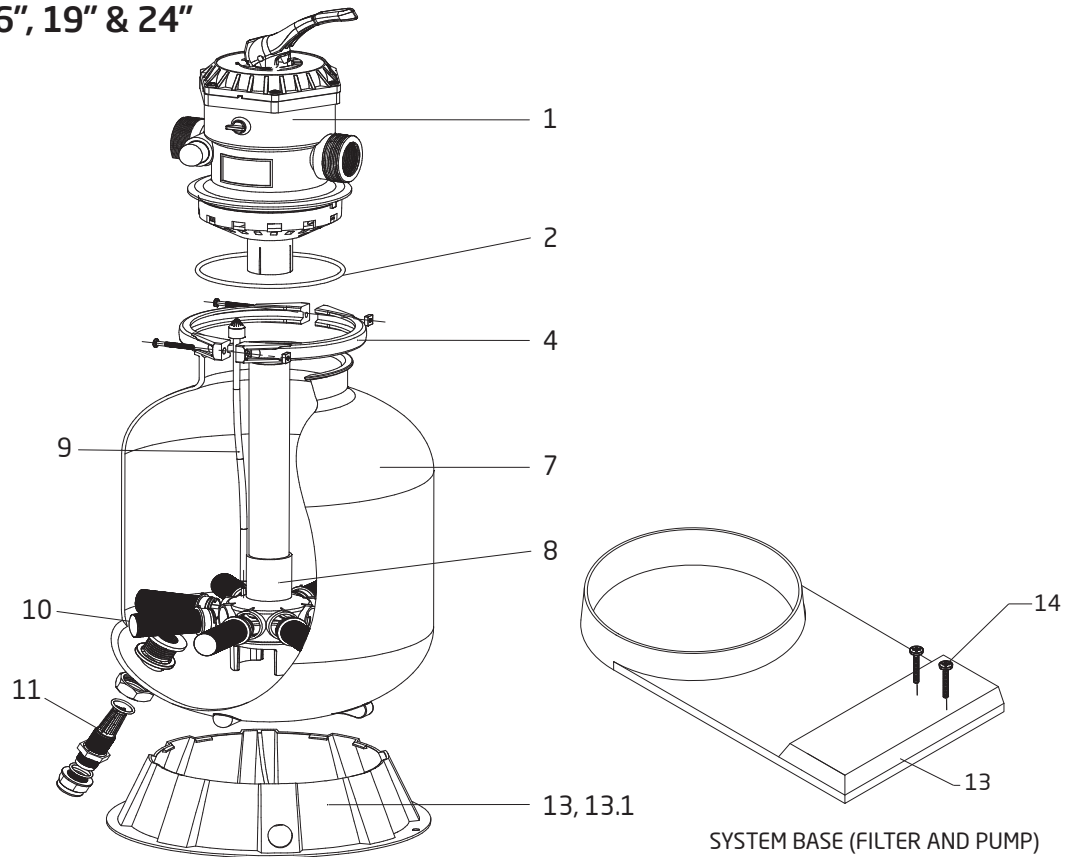
Order #	MFR #	Model	HP	S.F.	THP	Volts	Motor/Frame	List Price
<b>SINGLE SPEED</b>								
08471682008	8471682008	-IX	5.0	1.15	5.75	208-230	TEFC 112M	\$ 2,018.90
0812930846	0812930846	-X	7.5	1.15	8.625	208-230	TEFC 112M	2,883.50
<b>THREE PHASE</b>								
0821869911	498950	-IX	5.0	1.15	5.75	208-230/460	TEFC 112M	1,887.40
08217475102	498901	-X	7.5	1.15	8.625	208-230/460	TEFC 112M	1,907.80

# SAND FILTER

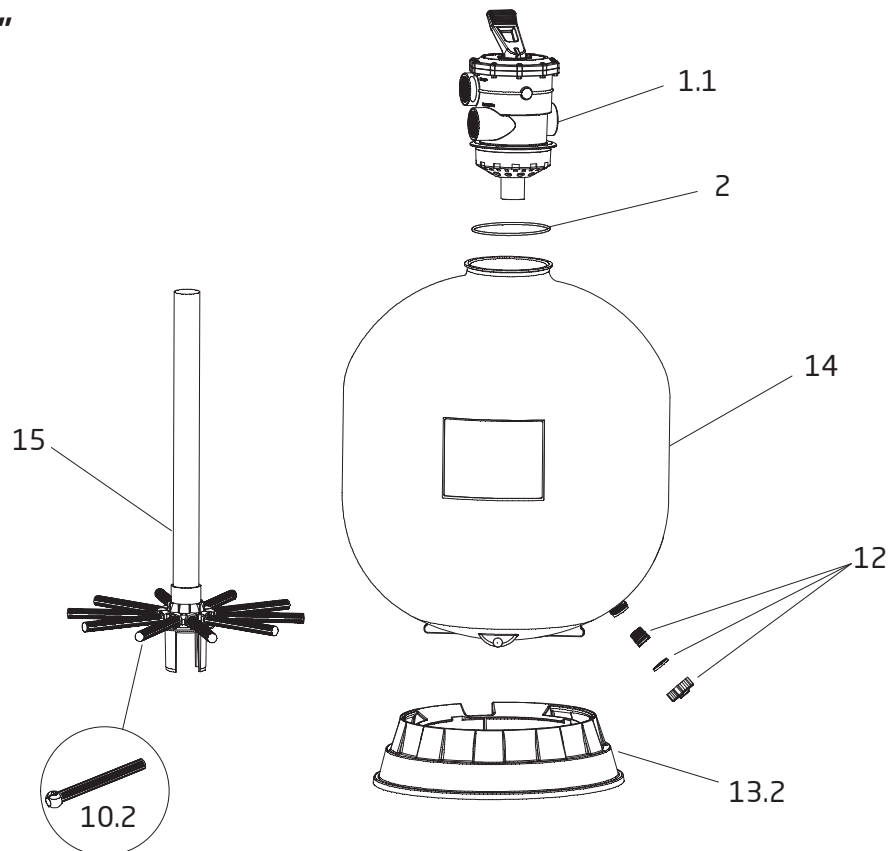
Sand Filter - 16", 19", 24" & 31"



## Models 16", 19" & 24"



## Model 31"



# SAND FILTER

Sand Filter - 16", 19", 24" & 31"

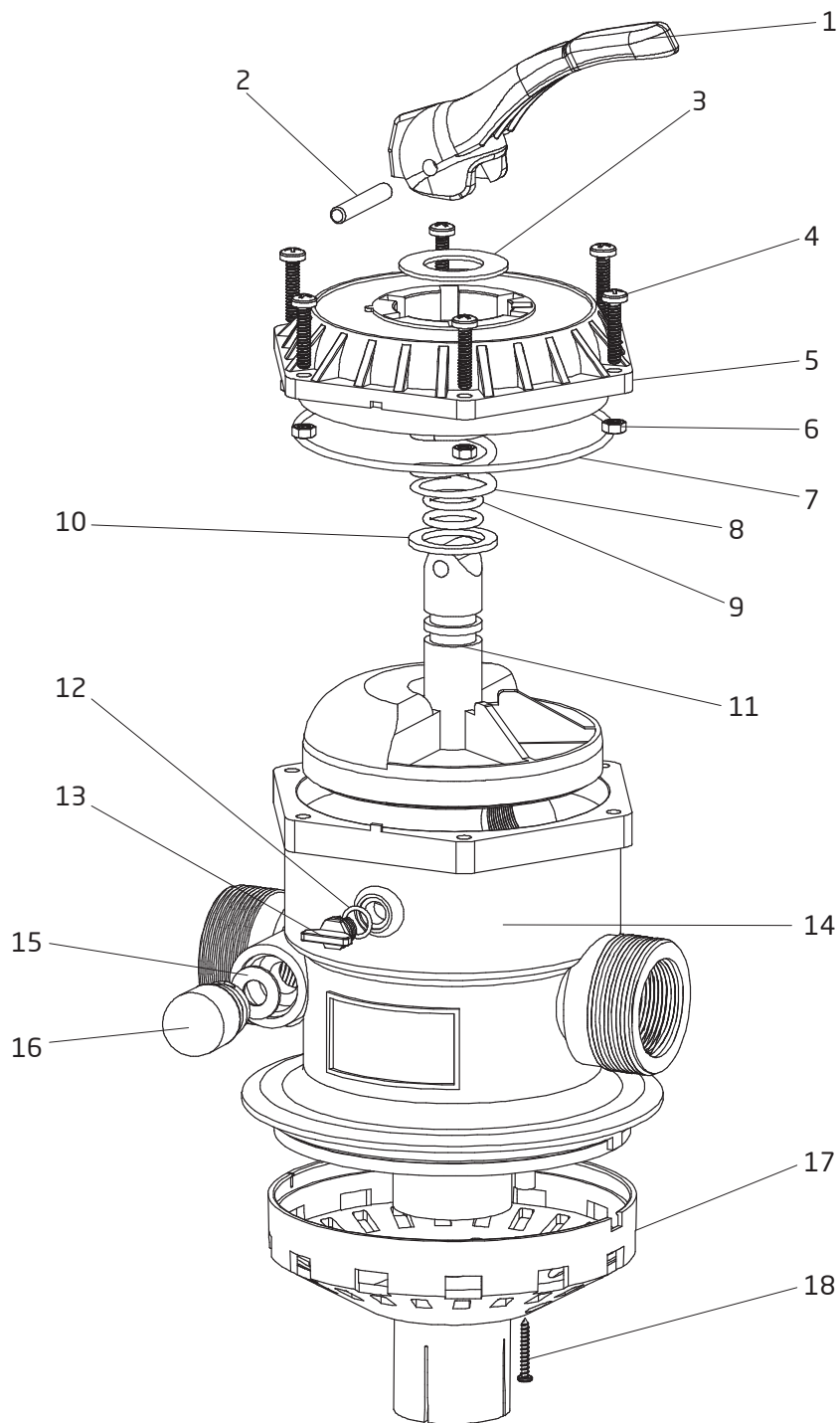


Order #	Drawing Number	Qty Required	Description	List Price
647304071000	1	1	1.5" MULTIPOINT VALVE 6-WAY CPL. - (16", 19", 24")	\$ 114.50
647309071000	1.1	1	2" MULTIPOINT VALVE 6-WAY CPL. - (24", 31")	263.40
654310120800	2	1	O-RING - TANK - (16", 19", 24", 31")	30.40
647304072000	4	1	FLANGE V CLAMP ASSEMBLY - (16", 19", 24", 31")	42.10
647304008000	7	1	TANK - (16")	TBD
647305008000	7.1	1	TANK - (19")	TBD
647306008000	7.2	1	TANK - (24")	TBD
647308072000	12, 13.2, 14, 15	1	TANK CPL WITH BASE, DRAIN PLUG, AND LATERAL ASSEMBLY - (31")	TBD
647304079000	8	1	HUB WITH STANDPIPE - (16")	60.30
647305071000	8.1	1	HUB WITH STANDPIPE - (19")	65.30
647306072000	8.2	1	HUB WITH STANDPIPE - (24", 1.5" VALVE)	70.80
647309078000	NOT SHOWN	1	FOLDING LATERAL ASSEMBLY WITH STANDPIPE - (24", 2" VALVE)	143.80
647308071000	15	1	FOLDING LATERAL ASSEMBLY WITH STANDPIPE - (31", 2" VALVE)	156.80
647304172000	9	1	AIR RELEASE ASSEMBLY - (16")	16.60
647305173000	9.1	1	AIR RELEASE ASSEMBLY - (19")	21.50
647306173000	9.2	1	AIR RELEASE ASSEMBLY - (24", 1.5" VALVE)	21.50
647304017000	10	8	LATERAL - (16", 19")	16.50
647306016000	10.1	8	LATERAL - (24", 1.5" VALVE)	18.50
647304073000	11	1	DRAIN PLUG ASSEMBLY CPL. - (16", 19", 24")	22.20
702038000000	NOT SHOWN	1	DRAIN PLUG WITH GASKET - (16", 19", 24")	9.80
647309074000	12	1	DRAIN PLUG ASSEMBLY CPL. - (31")	19.60
647309073000	NOT SHOWN	1	DRAIN PLUG WITH GASKET - (31")	TBD
647304009000	13	1	PEDESTAL BASE - (16")	39.50
647305009000	13.1	1	PEDESTAL BASE - (19", 24")	46.80
647309010000	13.2	1	PEDESTAL BASE - (31")	142.00
647202701000	14	1	FILTER AND PUMP SYSTEM BASE - (16" 19", 24")	62.60
972020000000	NOT SHOWN	1	PRESSURE GAUGE - (16", 19", 24")	11.50



# MODEL 1.5"

## Multiport Valve



# MODEL 1.5"

## Multiport Valve



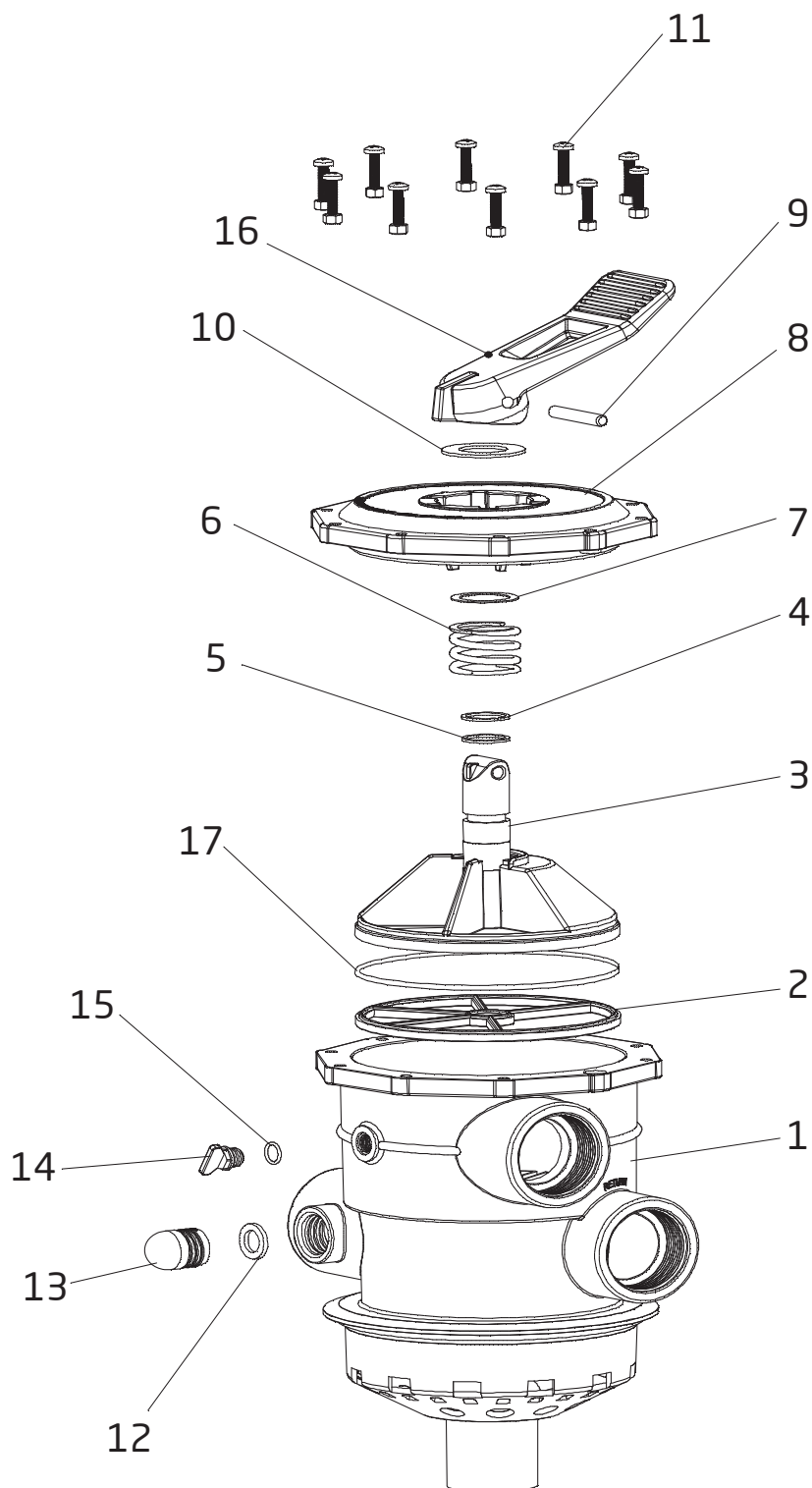
Order #	Drawing Number	Qty Required	Description	List Price
473040060800	1	1	HANDLE	\$ 15.00
524300400000	2	1	DRIVE PIN - HANDLE	7.20
488906060000	3	1	WASHER - HANDLE	3.70
522400500000	4 & 6	6	SCREW WITH NUT - VALVE LID	19.80
473040050800	5	1	VALVE LID	20.50
543104308000	7	1	O-RING - VALVE LID	14.80
524500200000	8	1	SPRING	15.20
543101608000	9	2	O-RING - DIVERTER STEM	1.90
488906070000	10	2	WASHER - SPRING	3.50
473040030800	11	1	DIVERTER	22.60
488906100800	12 & 13	1	PLUG WITH O-RING	1.80
473040010800	14	1	MAIN BODY	134.10
889060050000	15 & 16	1	SIGHT GLASS WITH O-RING	5.60
473040040800	17	1	BOTTOM TRANSITION COVER	18.90
521201000000	18	1	SCREW - BOTTOM TRANSITION COVER	1.90
647304071000		1	VALVE COMPLETE (1.5")	114.50

*\*\*Not for Aquaswim and Ranger filters sold prior to 2015*

*Looking for replacement parts for an older Speck Model, check our website [usa.speck-pumps.com](http://usa.speck-pumps.com) or call 800-223-8538*

# MODEL 2.0"

## Multiport Valve



# MODEL 2.0"

## Multiport Valve



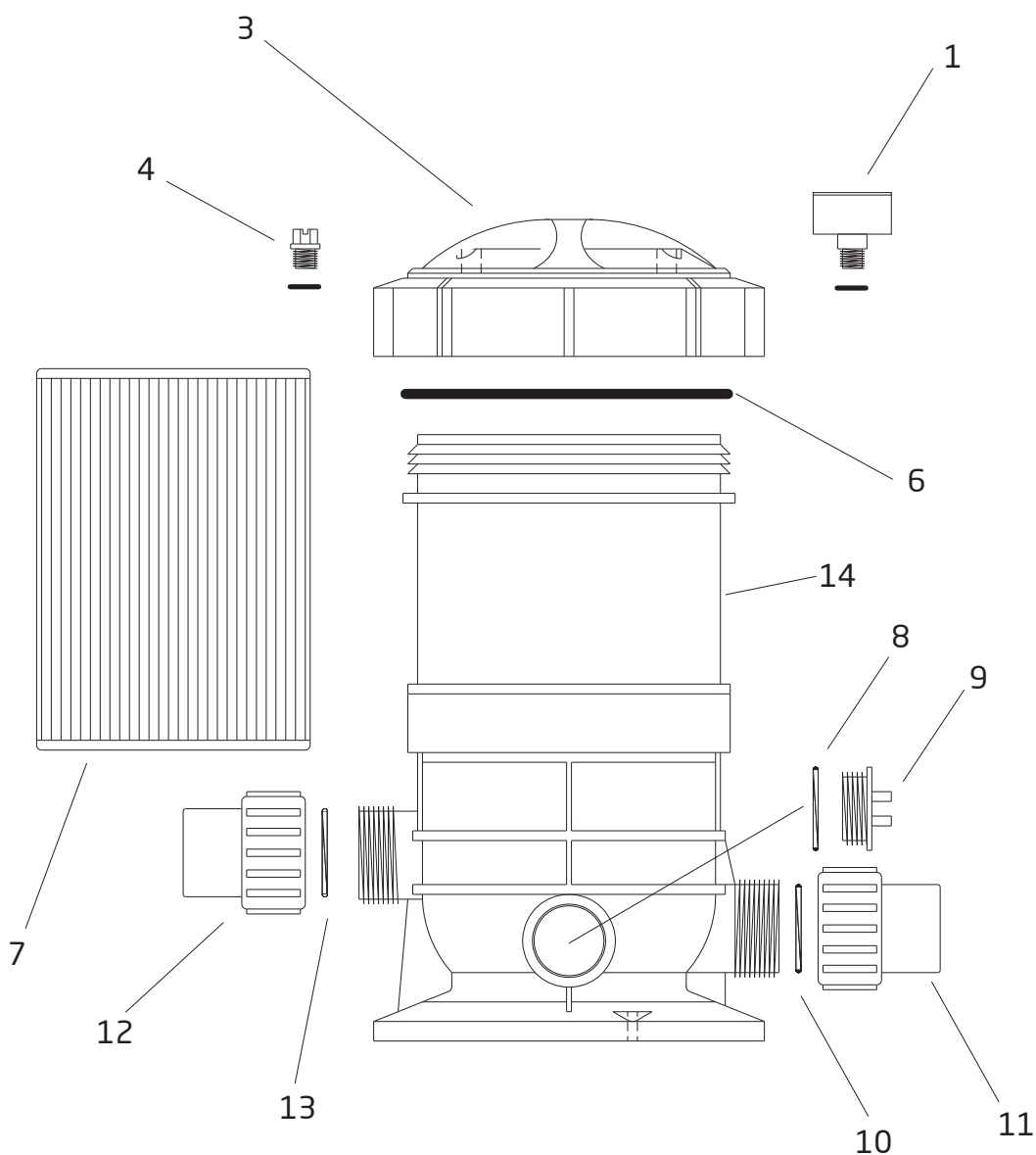
Order #	Drawing Number	Qty Required	Description	List Price
473090750000	1	1	BODY WITH BOTTOM TRANSITION COVER	\$ 194.20
543203608000	2	1	GASKET - SPIDER	24.40
473090040800	3	1	DIVERTER	36.30
473090160000	4	1	O-RING - DIVERTER STEM	1.90
543101608000	5	1	O-RING - DIVERTER STEM	1.90
524501400000	6	1	SPRING	21.20
524402100000	7	1	WASHER - SPRING	4.10
473090020800	8	1	VALVE LID	36.60
524300400000	9	1	DRIVE PIN - HANDLE	7.20
488906060000	10	1	WASHER - HANDLE	3.70
473090760000	11	10	SCREW WITH NUT - VALVE LID	32.70
488906090000	12 & 13	1	SIGHT GLASS WITH O-RING	6.30
488906100800	14 & 15	1	PLUG WITH O-RING	1.80
473090030800	16	1	HANDLE	19.80
543104308000	17	1	O-RING - VALVE LID	14.80
647309071000		1	VALVE COMPLETE (2.0")	263.40

*\*\*Not for Aquaswim and Ranger filters sold prior to 2015*

*Looking for replacement parts for an older Speck Model, check our website [usa.speck-pumps.com](http://usa.speck-pumps.com) or call 800-223-8538*

# MODEL ACF

## Cartridge Filter



# MODEL ACF

## Cartridge Filter

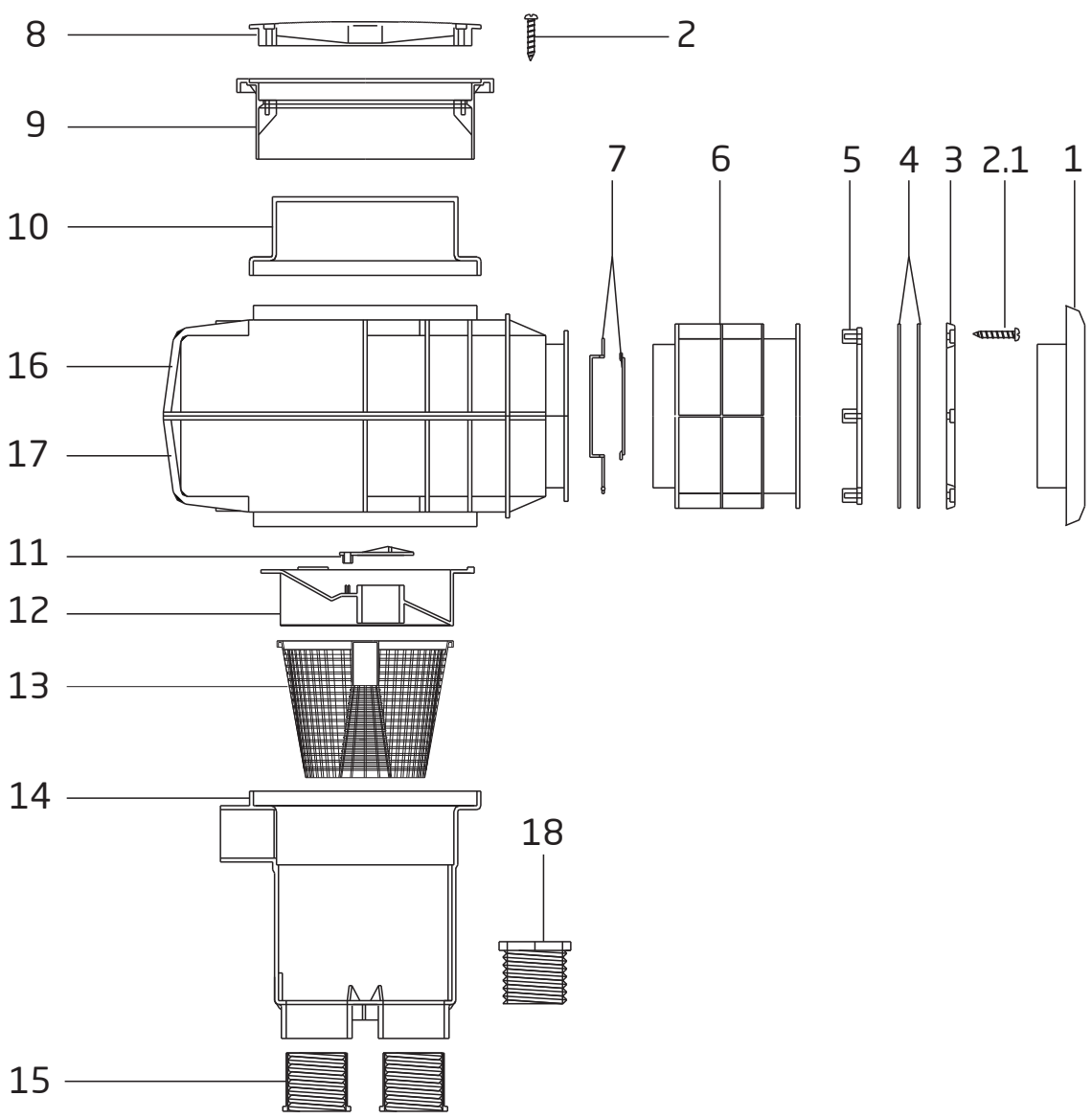


Order #	Drawing Number	Qty Required	Description	List Price
7200039349	1	1	PRESSURE GAUGE	\$ 11.80
7200055000	3 & 4	1	LID ASSEMBLY - COMPLETE	66.40
7200009601	4	1	SCREW - AIR BLEED W/ GASKET	3.50
7200055003	6	1	O-RING - LID	9.80
7200080853	NOT SHOWN	1	LOCKING RING LATCH - LID (FOR 60/90/120/150/180)	7.10
7300000305	7	1	CARTRIDGE - REPLACEMENT (FOR 30 SQ FT)	93.30
7300000605	7.1	1	CARTRIDGE - REPLACEMENT (FOR 60 SQ FT)	86.40
7300000905	7.2	1	CARTRIDGE - REPLACEMENT (FOR 90 SQ FT)	116.30
7300001205	7.3	1	CARTRIDGE - REPLACEMENT (FOR 120 SQ FT)	160.50
7300001505	7.4	1	CARTRIDGE - REPLACEMENT (FOR 150 SQ FT)	201.70
7300001805	7.5	1	CARTRIDGE - REPLACEMENT (FOR 180 SQ FT)	252.10
7300055006	8	1	O-RING - DRAIN PLUG	1.10
7300055005	9	1	DRAIN PLUG	2.20
7200055010	(10-13)	2	UNION END (1.5") SLIP W/NUT & O-RING	8.40
7200000030	14	1	FILTER BODY (FOR 30 SQ FT)	248.00
7200000060	14.1	1	FILTER BODY (FOR 60 SQ FT)	298.30
7200000090	14.2	1	FILTER BODY (FOR 90 SQ FT)	342.80
7200000120	14.3	1	FILTER BODY (FOR 120 SQ FT)	393.90
7200000150	14.4	1	FILTER BODY (FOR 150 SQ FT)	441.40
7200000180	14.5	1	FILTER BODY (FOR 180 SQ FT)	499.30



# AquaSkim™

Skimmer

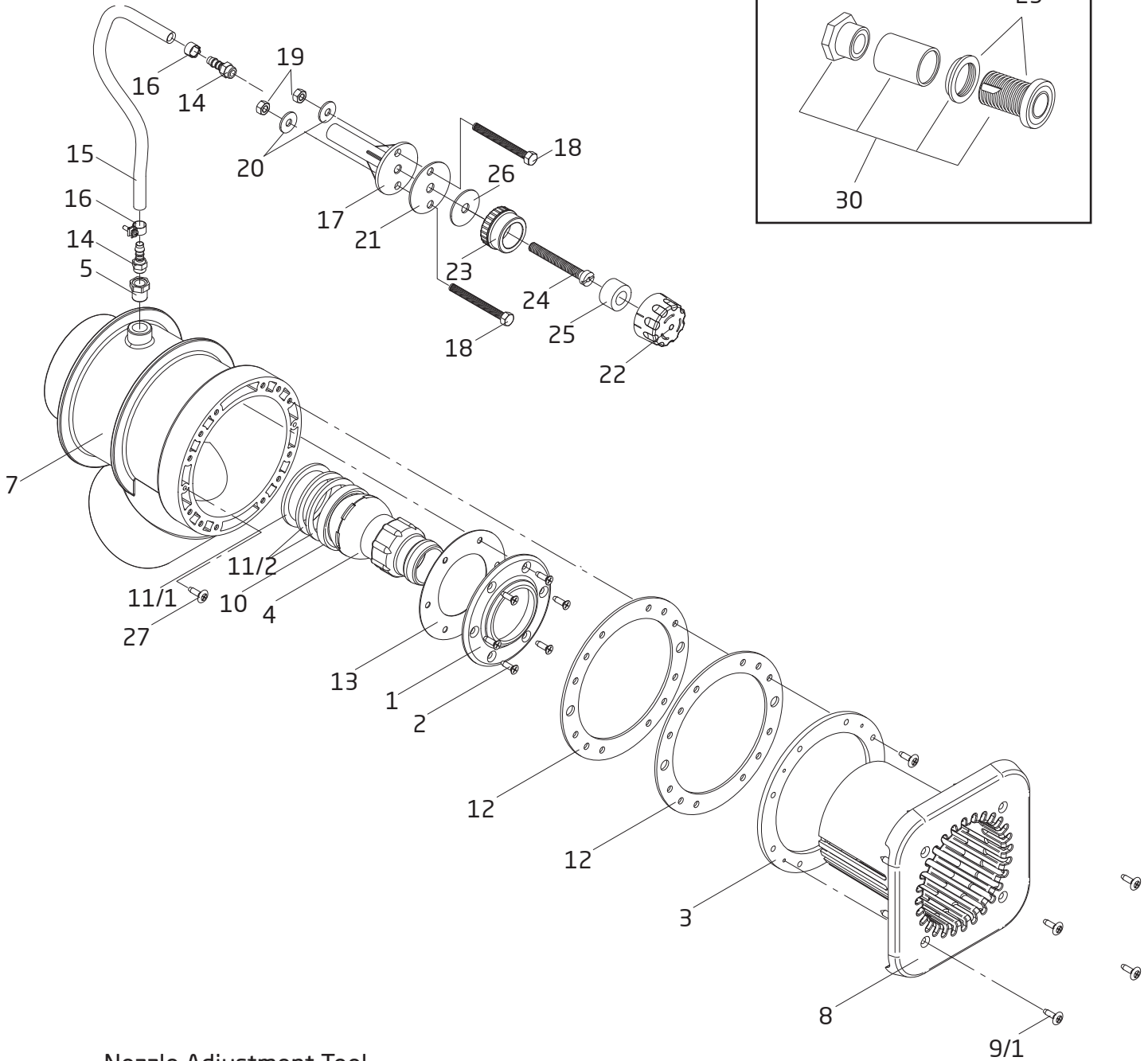




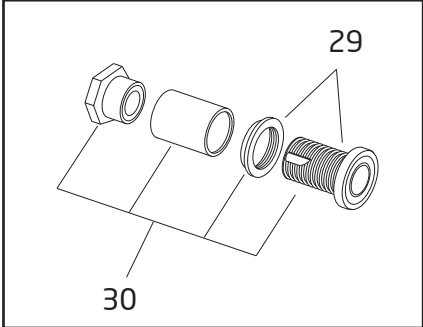
Order #	Drawing Number	Qty Required	Description	List Price
2730010111	1	1	FACE PLATE COVER	\$ 21.70
2991400002	2	2	SCREW - 10 x 1" SS (DECK LID)	0.70
2991400002	2.1	10	SCREW - 10 x 1" SS (FACE PLATE)	0.70
2991400005	2.2	10	SCREW - 10 x 1.25" SS (VINYL/FIBERGLASS ONLY)	0.60
2991400006	2.3	10	SCREW - 10 x 1.5" SS (VINYL/FIBERGLASS ONLY)	0.70
2730016011	3	1	FRONT FACE PLATE (VINYL/FIBERGLASS ONLY)	20.60
2730016311	4	2	GASKET (VINYL/FIBERGLASS ONLY)	20.30
2730016310	5	2	BACK FACE PLATE (VINYL/FIBERGLASS ONLY)	10.90
2730010110	6	1	THROAT EXTENSION	19.80
2730074600	7	1	WEIR	16.20
2730016001	8	1	DECK LID	20.00
2730016101	9	1	ADJUSTING COLLAR	27.00
2730014200	10	1	COLLAR EXTENSION	15.10
2730016012	11	1	CONTROL FLAP	3.20
2730016010	12	1	VACUUM LID	22.40
2730014300	13	1	BASKET	15.20
2730036200	14	1	BASE	64.00
2730026312	15	2	INSERT 2" NPT	7.10
2730036100	16	1	TOP BODY FG	57.00
2730046200	17	1	LOWER BODY FG	57.00
7300050989	18	1	PLUG 2" MIPT	8.30

# BADU<sup>®</sup> Stream II

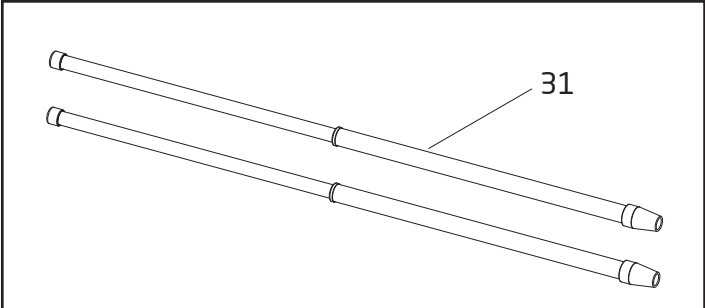
## SwimJet System



Air Button



Nozzle Adjustment Tool





Order #	Drawing Number	Qty Required	Description	List Price
2306002009	1	1	FACE RING - NOZZLE	\$ 29.10
5879006021	2	6	THREAD CUTTING SCREW - FACE RING K60 x 20 A2	3.10
2308762004	3	1	RING - CLAMPING	23.60
2302002857	4	1	NOZZLE - ADJUSTABLE FLOW 40mm	28.00
2308761001A	5 & 7	1	HOUSING WITH BUSHING REDUCER 16 x 1/4"	175.40
2308750003	8	1	COVER - SQUARE WHITE	67.20
5879650625	9/1	4	SCREW - SQUARE COVER, PHILLIPS/PAN M6 x 25mm	2.20
2991000077	9/2	8	SCREW - CLAMPING RING, PHILLIPS FLAT HEAD M6 x 20mm	0.70
5879650625	9/3	8	SCREW - CLAMPING RING, PHILLIPS/PAN M6 x 25mm	2.20
5879650640	9/4	8	SCREW - CLAMPING RING, PHILLIPS/PAN M6 x 40mm	2.60
2991000038	9/5	4	SCREW - SQ.COVER (EXT. RING) SLOT/PAN M6 x 45mm	2.20
2302002056	10	1	SEAT - NOZZLE	7.50
2302002057	11/1	1	SPACER - NOZZLE 6.2mm	6.40
2302002157	11/2	2	SPACER - NOZZLE 4mm	4.10
2308750005	12	2	GASKET - CLAMPING RING	15.90
2306002013	13	1	GASKET - FACE RING	7.10
2303004000	(14-21)	1	HOLDER WITH HOSE SUBASSEMBLY	86.50
2301001005	14	2	NIPPLE - HOSE, AIR REGULATOR, PLASTIC 1/4"	5.00
2301001007	15	1	HOSE - AIR REGULATOR, PLASTIC 8 x 3mm	7.90
2301001008	16	2	CLAMP - HOSE, AIR REGULATOR 14/9 SS A4	5.40
2301001009	17	1	HOLDER - AIR REGULATOR	30.00
2991000049	18	2	SCREW - AIR HOLDER, SLOT/PAN 1/4-20 x 1-1/2"	1.70
2991000052	19	2	NUT - AIR HOLDER, HEX NUT 1/4-20 SS	0.60
2991400024	20	2	WASHER - AIR HOLDER 1/4" SS	0.40
2301001013	21	1	GASKET - AIR HOLDER 60 x 11 x 2mm	1.90
2301002000	(22-26)	1	AIR REGULATOR (SUB-ASSEMBLY COMPLETE) - WHITE	55.20
2301002021	22	1	TOP PART - AIR REGULATOR - WHITE	15.20
2301002022	23	1	BOTTOM PART - AIR REGULATOR - WHITE	10.90
2301002023	24	1	SCREW W/HOLE - AIR REGULATOR, BRASS M10 x 80	23.20
2301002024	25	1	RING - HOSE, AIR REGULATOR 16 x 30 x 18mm	4.50
2301002025	26	1	GASKET - AIR REGULATOR 42 x 11 x 2mm	3.50
2991000059	27	2	THREAD CUTTING SCREW - JET HOUSING, PHILLIPS/PAN 14 x 1	1.20
2304910010	NOT SHOWN	1	RING - EXTENSION, JET HOUSING (FLANGE)	25.10
7400000026	29	1	#10 AIR BUTTON	37.40
7400000027	NOT SHOWN	50'	AIR TUBE 1/8" x 1' (PRICE PER FOOT)	0.60
7400000062	30	1	AIR BUTTON WITH CONCRETE ADAPTOR	40.60
2920280729	NOT SHOWN	1	CONTROL BOX - BJC-7-GFCI+CP (FOR BADUSTREAM II PACKAGE A, B, AND C)	1,264.00
2920280736	NOT SHOWN	1	CONTROL BOX - BJC-7-GFCI-P2+CP (FOR BADUSTREAM II PACKAGE D)	1,373.00

### Optional Parts For The BaduStream II

2308752006K	NOT SHOWN	1	WINTER COVER KIT - cover, gasket and 4 screws	39.50
2308750003B	8.1	1	COVER - SQUARE BLACK	65.10
2308760004	NOT SHOWN	1	COVER - ROUND WHITE	65.10
2308760004B	NOT SHOWN	1	COVER - ROUND BLACK	65.10
2308760004G	NOT SHOWN	1	COVER - ROUND GRAY	65.10
2301002000B	(22.1-26)	1	AIR REGULATOR (SUB-ASSEMBLY COMPLETE) - BLACK	55.20
2301002029	22.1	1	TOP PART - AIR REGULATOR - BLACK	15.20
2301002028	23.1	1	BOTTOM PART - AIR REGULATOR - BLACK	10.90
2308750006	NOT SHOWN	1	BUTTERFLY GASKET - CLAMPING RING	20.80
2300022010	NOT SHOWN	1	CAP - NOZZLE & HAND GRIP, CLOSE OFF	68.60
2300003010	NOT SHOWN	1	MESSAGE HOSE 5 FT. WITH PULSATOR & HAND GRIP	181.60
2300003310	NOT SHOWN	1	MESSAGE HOSE 15 FT. WITH PULSATOR & HAND GRIP	286.80
2308799007	31	1	KIT - NOZZLE ADJUSTMENT TOOL	48.00





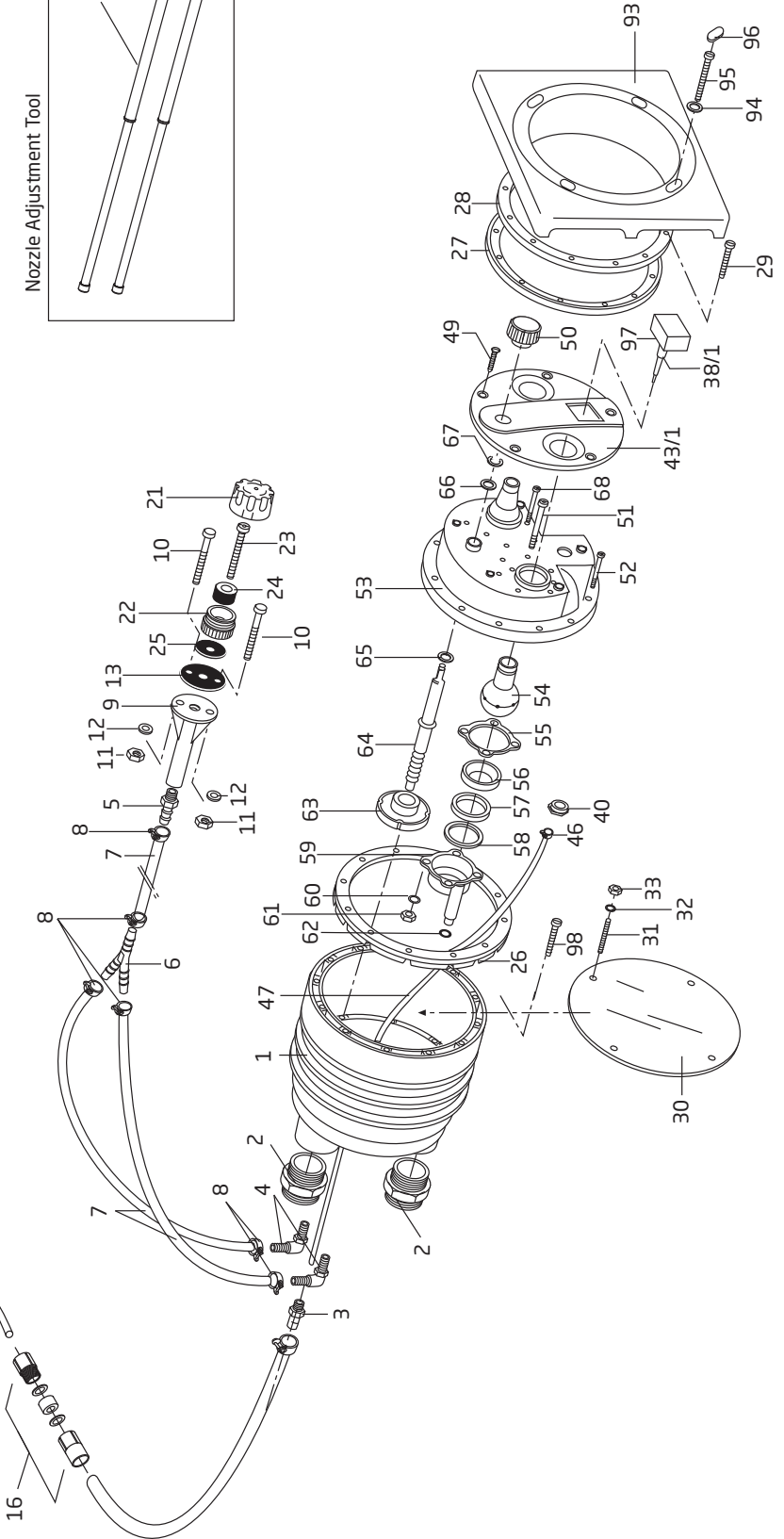
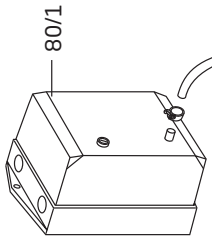
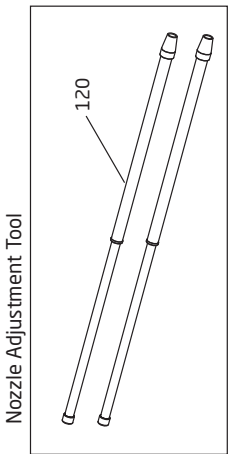
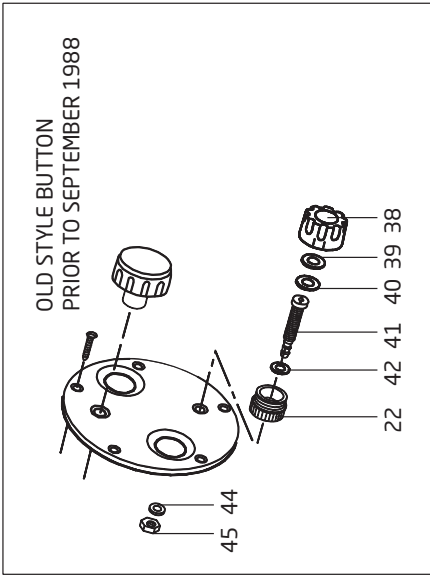
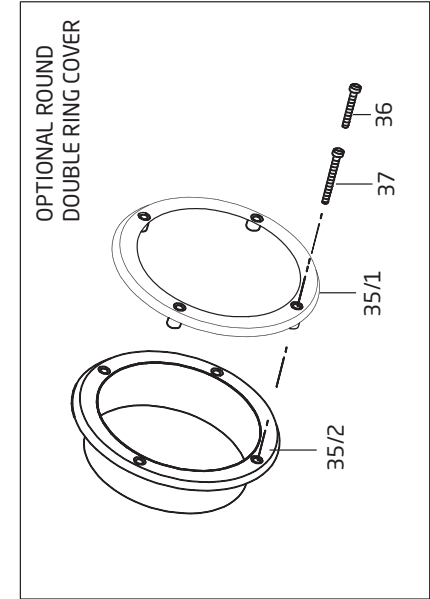
Order #	Drawing Number	Qty Required	Description	List Price
2301003000	(1-4)	1	JET HOUSING WITH ADAPTORS	\$1,497.20
5862811080	2	2	ADAPTOR - MALE, HOUSING, PVC 2-1/2" x 110mm/4"	51.20
5862711000	NOT SHOWN	2	COUPLING - HOUSING, PVC 110mm/4"	51.20
2991400044	3	2	ADAPTOR - MALE, HOUSING, PVC 1/2"	1.20
2991400045	3	1	ADAPTOR - FEMALE, HOUSING, PVC 1/2"	1.70
2301001004	4	2	90° HOSE SOCKET - AIR REGULATOR, PLASTIC 1/4"	5.50
2301004000	(5-13)	1	HOLDER WITH HOSE SUBASSEMBLY	86.50
2301001005	5	1	FITTING - HOSE, AIR REGULATOR, PLASTIC 1/4"	5.00
2301001006	6	1	Y-SOCKET - AIR REGULATOR	5.70
2301001007	7	1	HOSE - AIR REGULATOR 8 x 3mm (1.4 METERS)	7.90
2301001008	8	6	CLAMP - HOSE, AIR REGULATOR 14/9 SS A4	5.40
2301001009	9	1	HOLDER - AIR REGULATOR	30.00
5879630630	10	2	SCREW - AIR HOLDER, SLOT/FLAT M6 x 30mm SS	3.10
5879340600	11	2	NUT - AIR HOLDER, M6, A2	0.80
5879021060	12	2	WASHER - AIR HOLDER, M6 A4	0.50
2301001013	13	1	GASKET - AIR HOLDER 60 x 11 x 2mm	1.90
5882831000	16	1	AIR TUBING SEAL ASSEMBLY	5.50
2301002000	(21-25)	1	AIR REGULATOR (SUBASSEMBLY COMPLETE) - WHITE	55.20
2301002000B	(21.1-25)	1	AIR REGULATOR (SUBASSEMBLY COMPLETE) - BLACK	55.20
2301002021	21	1	TOP PART - AIR REGULATOR - WHITE	15.20
2301002029	21.1	1	TOP PART - AIR REGULATOR - BLACK	15.20
2301002022	22	1	BOTTOM PART - AIR REGULATOR - WHITE	10.90
2301002028	22.1	1	BOTTOM PART - AIR REGULATOR - BLACK	10.90
2301002023	23	1	BOLT w/HOLE - AIR REGULATOR, BRASS M10 x 80	23.20
2301002024	24	1	RING - HOSE, AIR REGULATOR 16 x 30 x 18mm	4.50
2301002025	25	1	GASKET - AIR REGULATOR 42 x 11 x 2mm	3.50
2301000026	26	1	GASKET WITH KNOBS - JET HOUSING	103.50
2301000027	27	1	GASKET - CLAMPING RING	101.00
2301000028	28	1	RING - CLAMPING	112.90
5879860830	29	12	BOLT - CLAMPING RING, POZIDRIV/PAN M8 x 30 A4	4.00
2301000030	30	1	COVER - GUNITE	60.30
5805510880	31	4	STUD - GUNITE COVER, ALL THREAD, ZINC M8 x 80	3.80
5809021080	32	4	WASHER - GUNITE COVER, ZINC M8	0.50
5879340800	33	4	NUT - STUD, GUNITE COVER M8 A2	1.00
2302001900K	38/1	1	PNEUMATIC BUTTON (WHITE)	72.00
2302001140	40	1	NUT - PNEUMATIC BUTTON, PLASTIC	3.50
2302001044	43/1	1	COVER - NOZZLE	38.20
2302001046	46	1	CLAMP - HOSE, PNEUMATIC BUTTON 8.7mm	7.90
2300202061	47	1 Roll	AIR TUBE 4 x 1.5mm (PRICED PER ROLL)	26.80
5879834822	49	5	TAPPING SCREW - NOZZLE COVER, PHIL. 4.8 x 22m	1.40
2302002050	50	1	VOLUME CONTROL KNOB	24.90
5870840893	51	10	BOLT - NOZZLE HOUSING, SLOT/BAR M8 x 130 A2	20.20
5879860830	52	12	BOLT - NOZZLE HOUSING, PH/BAR M8 x 30 A4	4.00
2302002000	(53-62/68)	1	HOUSING - NOZZLE, COMPLETE	534.30
2302002053	53	1	HOUSING - NOZZLE	555.80
2302002954	54	2	NOZZLE - 40mm	96.10
2302002060	55	2	IT GASKET - TENSION CUP 103 x 81.5 x .6mm	8.20
2302002056	56	2	SEAT - NOZZLE	7.50
2302002057	57	2	SPACER - NOZZLE 6.2mm	6.40
2302002158	58	2	SPACER - NOZZLE 1.5mm	1.90
2302002059	59	2	TENSION CUP - NOZZLE	48.90
5871270600	60	8	WASHER - LOCK TENSION CUP M6 A2	0.50
5879340600	61	8	NUT-TENSION CUP M6 A2	0.80
2920141240	62	2	O-RING - TENSION CUP 11 x 2.5mm	1.20
2302002063	63	1	VOLUME CONTROL DISC	41.40
2302002964	64	1	CONTROL SPINDLE	40.10
2302002065	65	2	WASHER - CONTROL SPINDLE, 23 x 16.2 x 1.5mm	2.40

**\*\*SEE NEXT PAGE FOR ADDITIONAL PARTS**



# BADU® JET super-sport

## SwimJet System





Order #	Drawing Number	Qty Required	Description	List Price
2302002067	67	1	RETAINER - SHAFT, CONTROL SPINDLE	\$ 1.90
5870840625	68	8	BOLT - TENSION CUP, PHILLIPS M6 x 25 A2	1.80
2920280728	80/1	1	CONTROL BOX BJC-7-GFCI+CP	1,164.00
2302005236	93	1	COVER - RECTANGULAR	100.80
5871250800	94	4	WASHER - RECTANGULAR COVER 8.4mm A4	0.60
5879860820	95	4	BOLT - RECTANGULAR COVER, PHILLIPS M8 x 20mm	3.10
5879860880	95.1	4	BOLT - RECTANGULAR COVER, PHILLIPS M8 x 80mm	5.60
2302005237	96	4	PLUG - RECTANGULAR COVER	2.80
2302001301	97	1	COVER - BUTTON	20.60
5879860830	98	2	BOLT - JET HOUSING, POZIDRIV/PAN M8 x 30 A4	4.00
2302005000	(93-96)	1	KIT - RECTANGULAR COVER	149.10
2300022010	NOT SHOWN	1	CAP - NOZZLE & HAND GRIP, CLOSE OFF	68.60
2300003010	NOT SHOWN	1	MASSAGE HOSE 5 FT. WITH PULSATOR & HAND GRIP	181.60
2300003310	NOT SHOWN	1	MASSAGE HOSE 15 FT. WITH PULSATOR & HAND GRIP	286.80
2308799007	120	1	NOZZLE ADJUSTMENT TOOLS	48.00

### Optional Round Style, Double Ring, Anti-entrapment Cover For Curved Pool Walls

2302005135	35/1	1	ROUND COVER WITH SPACERS	186.50
2302005235	35/2	1	ROUND RING COVER	130.40
5879650845	36	4	BOLT - ROUND COVER, PHILLIPS M8 x 45mm	11.40
5879658100	37	4	BOLT - ROUND COVER, PHILLIPS M8 x 100mm	25.10
2302005002	35/1, 35/2, 36, 37	1	KIT - ROUND RING COVER	266.10

### Parts Listed Below Are Unique To The BaduJet Shipped Prior To October, 1994

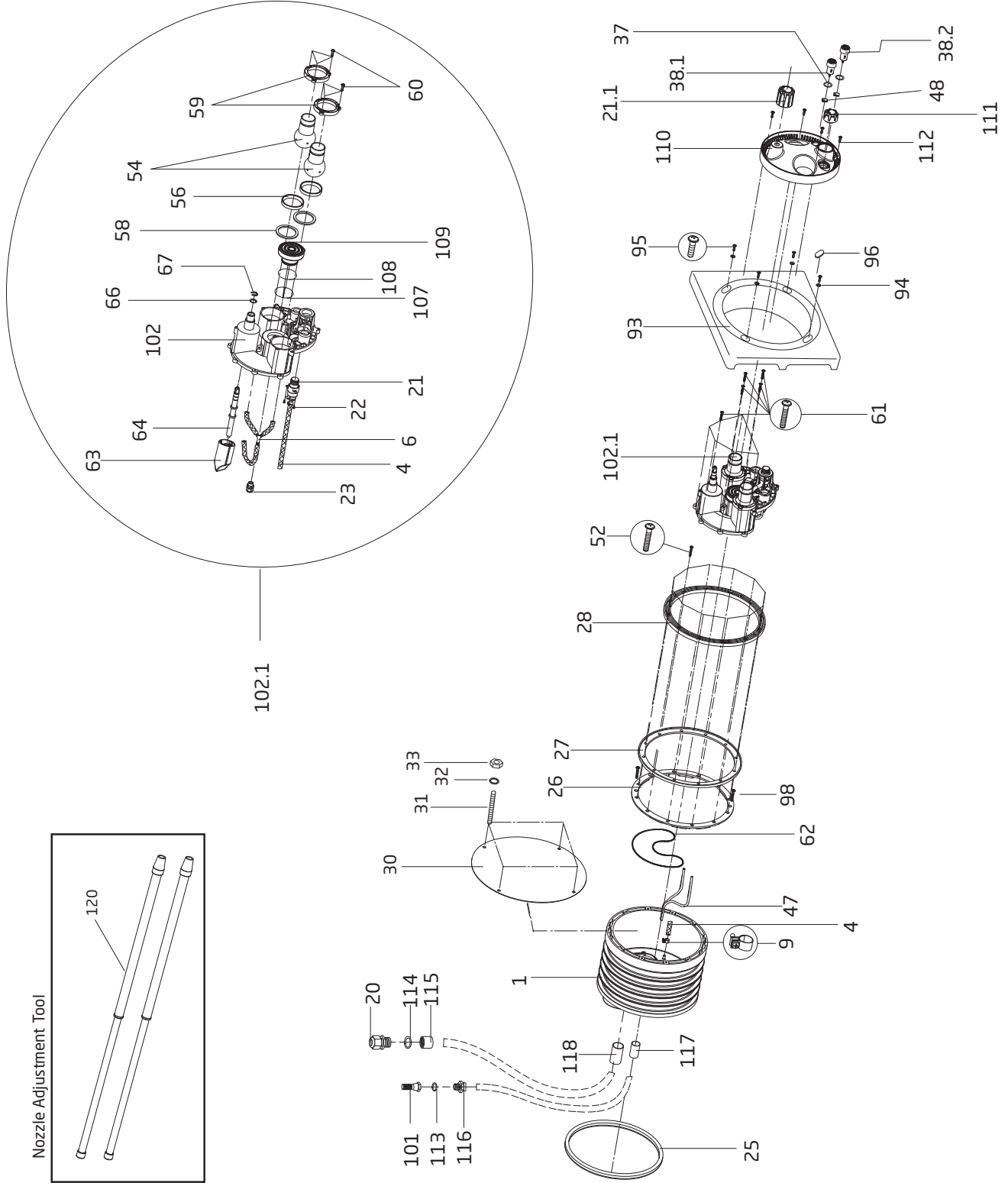
2302001800K	NOT SHOWN	1	PNEUMATIC BUTTON (BLACK)	106.00
2302001043	43	1	COVER - NOZZLE	76.90
2302002964	64.1	1	CONTROL SPINDLE	40.10
5879724816	49.1	5	TAPPING SCREW - NOZZLE COVER 4.8 x 16 A2	0.70

### Parts Listed Below Are Unique To The BaduJet Shipped Prior To The September, 1988

2301002200	38	1	TOP - PNEUMATIC BUTTON	13.60
2301002022	22	1	BOTTOM - PNEUMATIC BUTTON	10.90
2302001040	40	1	MEMBRANE-E - PNEUMATIC BUTTON	22.60
2302001039	39	1	RING-E - PNEUMATIC BUTTON	1.70
2302001041	41	1	BOLT W/HOLE - PNEUMATIC BUTTON, BRASS M10	20.90

# BADU® JET super-sport //

SwimJet System



# BADU® JET super-sport //

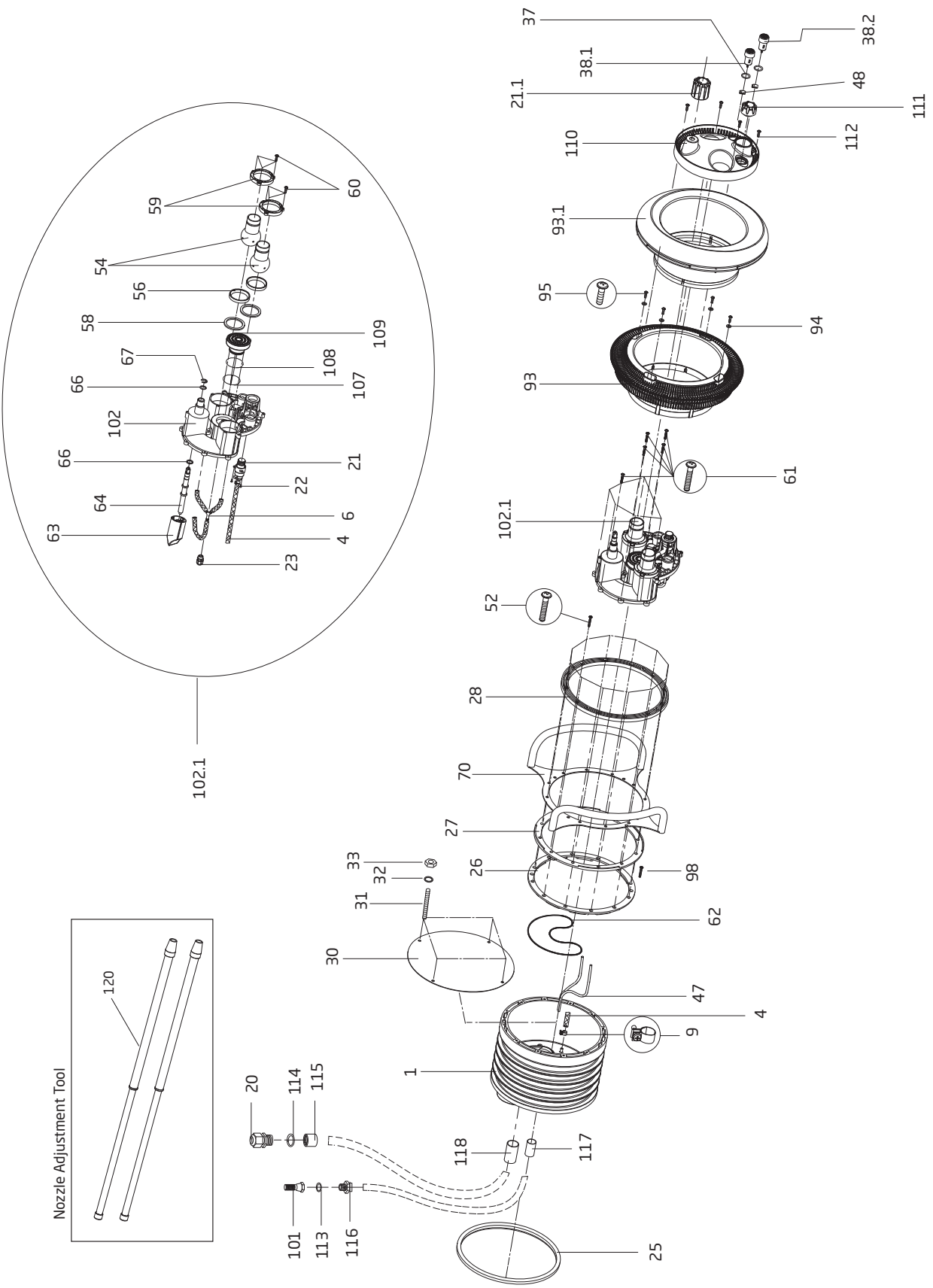
## SwimJet System



Order #	Drawing Number	Qty Required	Description	List Price
232600002A	1	1	JET HOUSING	\$ 513.40
2301001007	4	3 FT	HOSE - AIR REGULATOR 8 x 3mm (PRICE PER FOOT)	7.90
2326000408	6	1	HOSE (3X) WITH Y- HOSE BARB	8.40
2301001008	9	2	CLAMP - HOSE, AIR REGULATOR 14/9 SS A4	5.40
2326000031	20	1	STRAIN RELIEF - LIGHT CABLE, 3/4" NPT	21.30
2321000409	21	1	AIR REGULATOR COMPLETE	46.70
2326000006	21.1	1	VOLUME CONTROL KNOB	22.40
5879812996	22	3	SCREW - AIR REGULATOR, 2.9 x 9.5	2.20
5882501619	23	1	STRAIN RELIEF - LIGHT CABLE, M16 x 1.5	17.80
2326000020	25	1	ROUND SEALING CORD	6.50
2301000026	26	1	GASKET WITH KNOBS - JET HOUSING	103.50
2326000021	27	1	GASKET - CLAMPING RING	94.70
2301000028	28	1	RING - CLAMPING	112.90
2301000030K	30-33	1	GUNITE COVER KIT	80.90
2326000014	37	2	O-RING PNEUMATIC BUTTONS 24 x 3mm	0.50
2321000401	38.1	1	PNEUMATIC BUTTON COMPLETE - PUMP	19.40
2321000404	38.2	1	PNEUMATIC BUTTON COMPLETE - LIGHTS	19.40
2300202060	47	2	AIR TUBING - LIGHT/PUMP 4 x 1.5mm (PRICE PER 10M)	30.60
2302001046	48	2	CLAMP - HOSE, PNEUMATIC BUTTON 6.8 - 8mm	7.90
5879860830	52	12	SCREW - CLAMPING RING, POZIDRIV/PAN M8 x 30mm A4	4.00
2302002954	54	2	NOZZLE - 40mm	96.10
2302002056	56	2	SEAT - NOZZLE	7.50
2302002057	58	2	SPACER - NOZZLE 6.2mm	6.40
2319800817	59	2	NOZZLE FLANGE	11.50
5879006023	60	6	TAPPING SCREW - BALL NOZZLE FLANGE, 6 x 22mm A4	2.40
5879006023	61	10	TAPPING SCREW - NOZZLE HOUSING, 6 x 22mm A4	2.40
2326000013	62	1	O-RING - NOZZLE HOUSING 257 x 3mm	7.00
2326000004	63	1	VOLUME CONTROL CYLINDER	22.20
2302002964	64	1	VOLUME CONTROL SPINDLE (COMPLETE)	40.10
2302002065	66	2	WASHER - VOLUME CONTROL SPINDLE, 23 x 16.2 x1.5mm	2.40
2302002067	67	1	RETAINER - SHAFT, VOLUME CONTROL SPINDLE	1.90
2302005236	93	1	COVER - RECTANGULAR	100.80
5871250800	94	4	WASHER - RECTANGULAR COVER 8.4mm A4	0.60
5879860820	95	4	BOLT - RECTANGULAR COVER, PHILLIPS M8 x 20mm	3.10
5879860880	95.1	4	BOLT - RECTANGULAR COVER, PHILLIPS M8 x 80mm	5.60
2302005237	96	4	PLUG - RECTANGULAR COVER	2.80
2991000140	98	2	SCREWS - COUNTERSUNK PHILLIPS M8 x 30mm	3.30
5030000105	101	1	VALVE - CHECK 1/2"	39.60
2326000003	102	1	HOUSING - NOZZLE	70.50
2326000401	102.1	1	HOUSING - NOZZLE COMPLETE	337.60
3932541201	107	1	O-RING - LIGHT 48 x 2mm	1.40
2607101019	108	1	O-RING - LIGHT 49 x 3.5mm	1.00
2326000037	109	1	LIGHT LED 12V AC - WHITE, 10M	149.50
2326000035	110	1	LIGHT COVER	48.90
2321000022	111	1	AIR REGULATOR KNOB	7.30
5879006023	112	4	TAPPING SCREW - LIGHT COVER, 6 x 22mm A4	2.40
2920141230	113	1	O-RING - CHECK VALVE, 19 X 3mm	0.50
2326000032	114	1	O-RING - STRAIN RELIEF	1.60
2326000034	115	1	ADAPTOR - STRAIN RELIEF, FEMALE, PVC 3/4"	1.60
2301001030	116	1	ADAPTOR - CHECK VALVE, MALE, PVC 1/2"	0.80
5862432021	117	1	CONNECTOR - AIR REGULATION LINE M20 x 1/2"	19.40
5862432531	118	1	CONNECTOR - CONDUIT M25 x 3/4"	20.60
2920280729	NOT SHOWN	1	CONTROL BOX BJC-7-GFCI+CP SSI	1,264.00
<b>Optional Parts</b>				
2326000036	109.1	1	LIGHT LED 12V AC - MULTICOLOR, 10M	186.10
2326000038	109.2	1	LIGHT LED 12V AC - BLUE, 10M	186.10
2326000010K	NOT SHOWN	1	WINTER COVER KIT	220.40
2300003010	NOT SHOWN	1	MASSAGE HOSE 5 FT. WITH PULSATOR & HAND GRIP	181.60
2300003310	NOT SHOWN	1	MASSAGE HOSE 15 FT. WITH PULSATOR & HAND GRIP	286.80
2300022010	NOT SHOWN	1	CAP - NOZZLE & HAND GRIP, CLOSE OFF	68.60
2308799007	120	1	NOZZLE ADJUSTMENT TOOLS	48.00

# BADU® JET Imperial

## SwimJet System





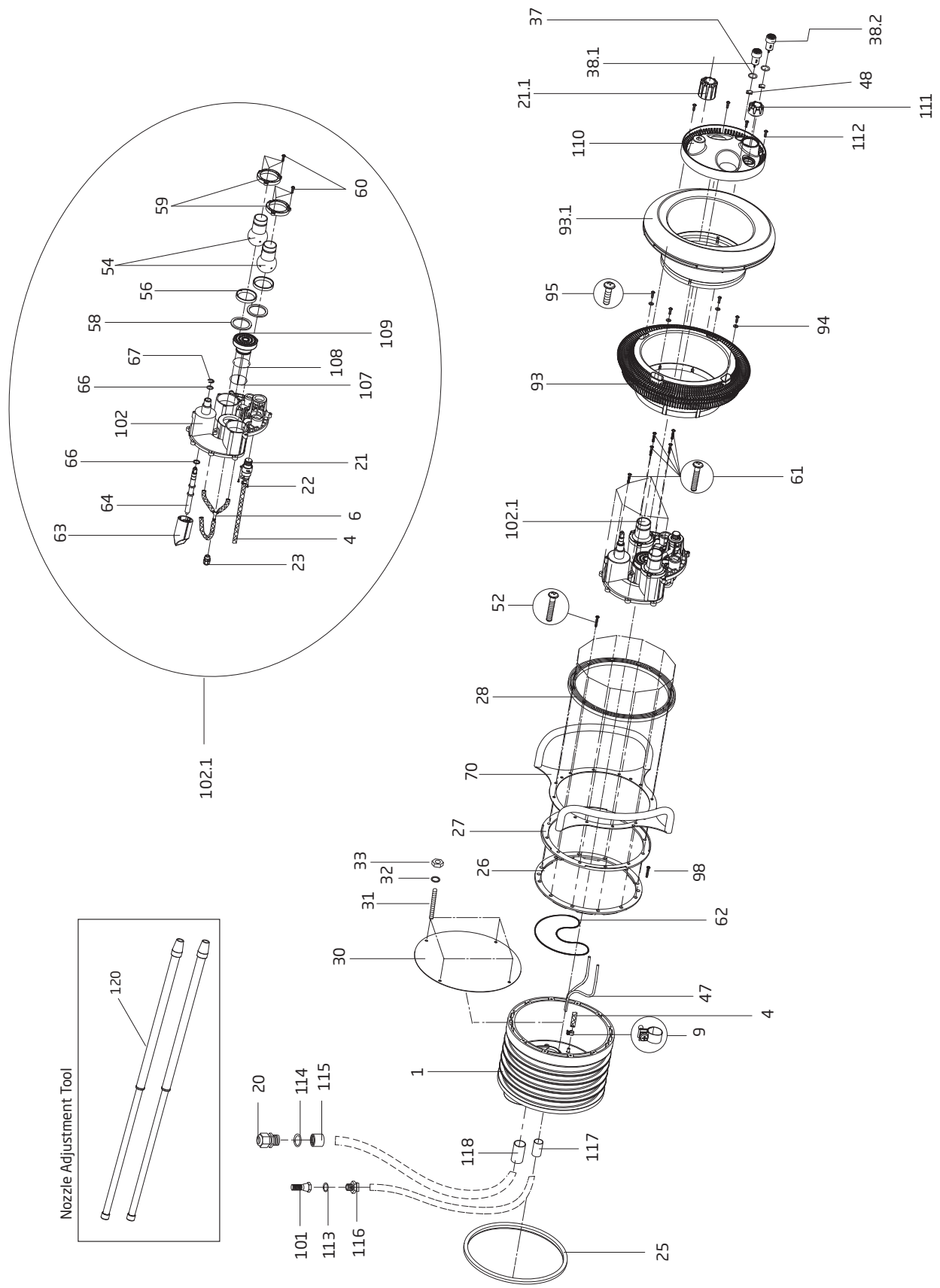
Order #	Drawing Number	Qty Required	Description	List Price
2326000002A	1	1	JET HOUSING	\$ 513.40
2302001051	4	3 FT	HOSE - AIR REGULATOR 8 x 2mm PVC CLEAR (PRICE PER FOOT)	7.90
2326000408	6	1	HOSE (3X) WITH Y- HOSE BARB	8.40
2301001008	9	2	CLAMP - HOSE, AIR REGULATOR 14/9 SS A4	5.40
2326000031	20	1	STRAIN RELIEF - LIGHT CABLE, 3/4" NPT	21.30
2321000445	21	1	AIR REGULATOR COMPLETE	46.60
2326000006	21.1	1	VOLUME CONTROL KNOB	22.40
5879812996	22	3	SCREW - AIR REGULATOR, 2,9 x 9.5 A4	2.20
5882501619	23	1	STRAIN RELIEF - LIGHT CABLE, M16 x 1.5	17.80
2326000020	25	1	ROUND SEALING CORD	6.50
2301000026	26	1	GASKET WITH KNOBS - JET HOUSING	103.50
2326000021	27	1	GASKET - CLAMPING RING	94.70
2301000028	28	1	RING - CLAMPING	112.90
2301000030K	30-33	1	GUNITE COVER KIT	60.30
2326000014	37	2	O-RING PNEUMATIC BUTTONS 24 x 3mm	0.50
2321000401	38.1	1	PNEUMATIC BUTTON COMPLETE - PUMP	19.40
2321000404	38.2	1	PNEUMATIC BUTTON COMPLETE - LIGHTS	19.40
2300202060	47	2	AIR TUBING - LIGHT/PUMP 4 x 1.5mm (PRICE PER 10M)	30.60
2302001046	48	2	CLAMP - HOSE, PNEUMATIC BUTTON 6.8 - 8mm	7.90
5879860830	52	12	SCREW - CLAMPING RING, POZIDRIV/PAN M8 x 30mm A4	4.00
2302002954	54	2	NOZZLE - 40mm	96.10
2302002056	56	2	SEAT - NOZZLE	7.50
2302002057	58	2	SPACER - NOZZLE 60 x 6.2mm	6.40
2319800817	59	2	NOZZLE FLANGE	11.50
5879006023	60	6	TAPPING SCREW - BALL NOZZLE FLANGE, 6 x 22mm A4	2.40
5879006023	61	10	TAPPING SCREW - NOZZLE HOUSING, 6 x 22mm A4	2.40
2326000013	62	1	O-RING - NOZZLE HOUSING 257 x 3mm	7.00
2326000004	63	1	VOLUME CONTROL CYLINDER	22.20
2302002964	64	1	VOLUME CONTROL SPINDLE (COMPLETE)	40.10
2302002065	66	2	WASHER - VOLUME CONTROL SPINDLE, 23 x 16.2 x 1.5mm	2.40
2302002067	67	1	RETAINER - SHAFT, VOLUME CONTROL SPINDLE	1.90
2326000009A	70	1	STAINLESS STEEL HANDLES	1,513.80
2326000007	93	1	SUCTION HOUSING	296.50
2326000029A	93.1	1	COVER - STAINLESS STEEL	762.20
5871250800	94	4	WASHER - SUCTION HOUSE, M8 A4	0.60
5879860820	95	4	SCREW - JET HOUSING, PHILLIPS M8 x 20mm	3.10
5879860880	95.1	4	SCREW - SUCTION HOUSING, M8 x 80mm	5.60
5030000105	101	1	VALVE - CHECK 1/2"	39.60
2326000003	102	1	HOUSING - NOZZLE	70.50
2326000401	102.1	1	HOUSING - NOZZLE COMPLETE	337.60
3932541201	107	1	O-RING - LIGHT 48 x 2mm	1.40
2607101019	108	1	O-RING - LIGHT 49 x 3.5mm	1.00
2326000037	109	1	LIGHT LED 12V AC - WHITE, 10M	149.50
2326000035	110	1	LIGHT COVER	48.90
2321000022	111	1	AIR REGULATOR KNOB	7.30
5879006023	112	4	TAPPING SCREW - LIGHT COVER, 6 x 22mm A4	2.40
2920141230	113	1	O-RING - CHECK VALVE, 19 X 3mm	0.50
2326000032	114	1	O-RING - STRAIN RELIEF	1.60
2326000034	115	1	ADAPTOR - STRAIN RELIEF, FEMALE, PVC 3/4"	1.60
2301001030	116	1	ADAPTOR - CHECK VALVE, MALE, PVC 1/2"	0.70
5862432021	117	1	CONNECTOR - AIR REGULATION LINE M20 x 1/2"	19.40
5862432531	118	1	CONNECTOR - CONDUIT M25 x 3/4"	20.60
7300050000	119	1	ADAPTOR - BONDING	29.70
2920280729	NOT SHOWN	1	CONTROL BOX BJC-7-GFCI+CP SSII	1,264.00

**\*\*SEE NEXT PAGE FOR ADDITIONAL PARTS**



# BADU® JET Imperial

## SwimJet System



# BADU<sup>®</sup>JET Imperial

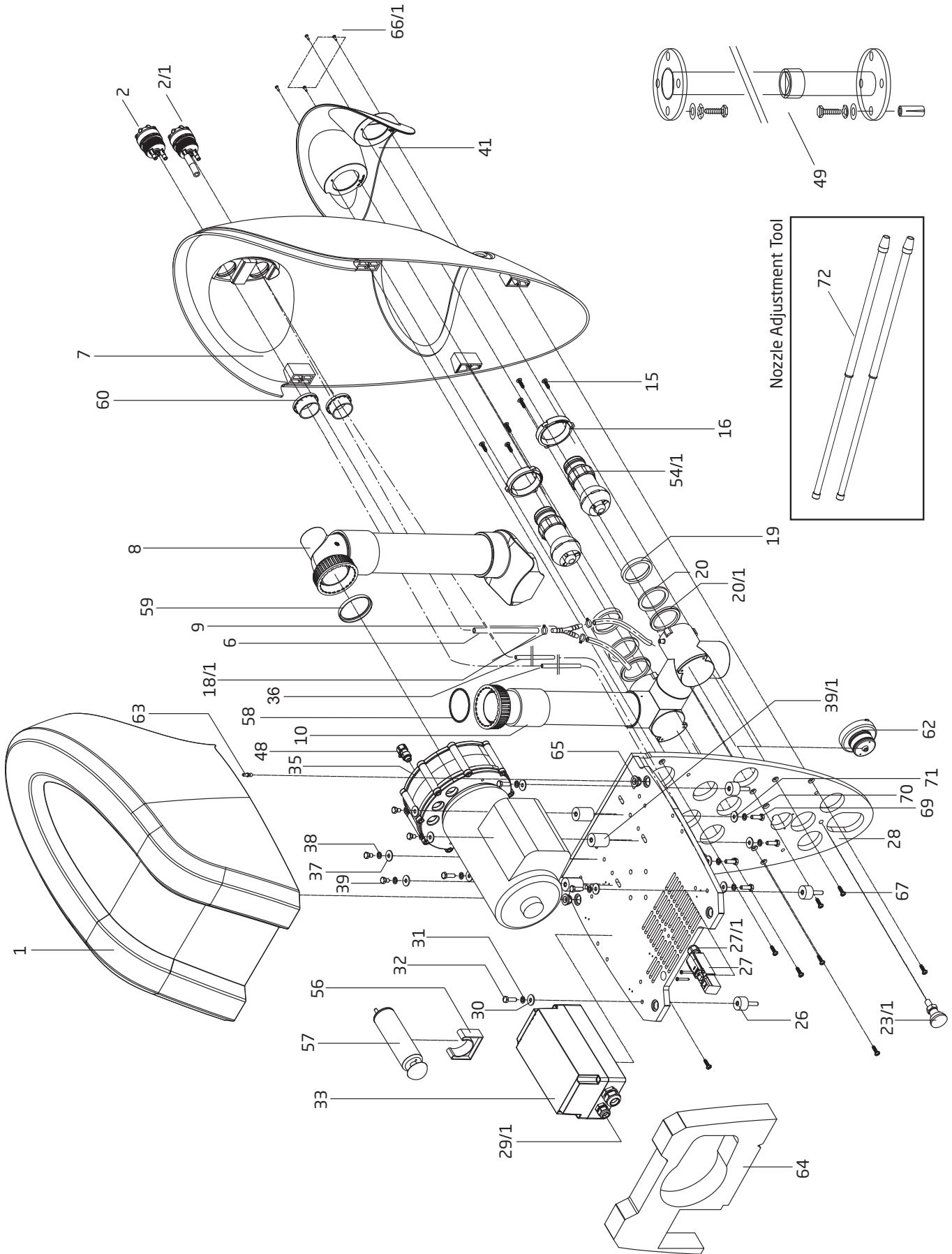
## SwimJet System



Order #	Drawing Number	Qty Required	Description	List Price
<b>Parts Listed Below Are Unique To The BaduJet Imperial Deluxe</b>				
2326000439	21.1	1	STAINLESS STEEL VOLUME CONTROL KNOB	\$ 398.20
2321000456	38.1	1	STAINLESS STEEL PNEUMATIC BUTTON CPL - PUMP	264.50
2321000457	38.2	1	STAINLESS STEEL PNEUMATIC BUTTON CPL - LIGHTS	264.50
2326000424	54	2	STAINLESS STEEL NOZZLE - 40mm	207.40
2321000458	111	2	STAINLESS STEEL AIR REGULATOR KNOB	229.40
<b>Optional Parts</b>				
2326000036	109.1	1	LIGHT LED 12V AC - MULTICOLOR, 10M	186.10
2326000038	109.2	1	LIGHT LED 12V AC - BLUE, 10M	186.10
2326000010K	NOT SHOWN	1	WINTER COVER KIT	220.40
2300003010	NOT SHOWN	1	MESSAGE HOSE 5 FT. WITH PULSATOR & HAND GRIP	181.60
2300003310	NOT SHOWN	1	MESSAGE HOSE 15 FT. WITH PULSATOR & HAND GRIP	286.80
2300022010	NOT SHOWN	1	CAP - NOZZLE & HAND GRIP, CLOSE OFF	68.60
2308799007	120	1	NOZZLE ADJUSTMENT TOOLS	48.00

# BADU® JET Inspiration

## SwimJet System



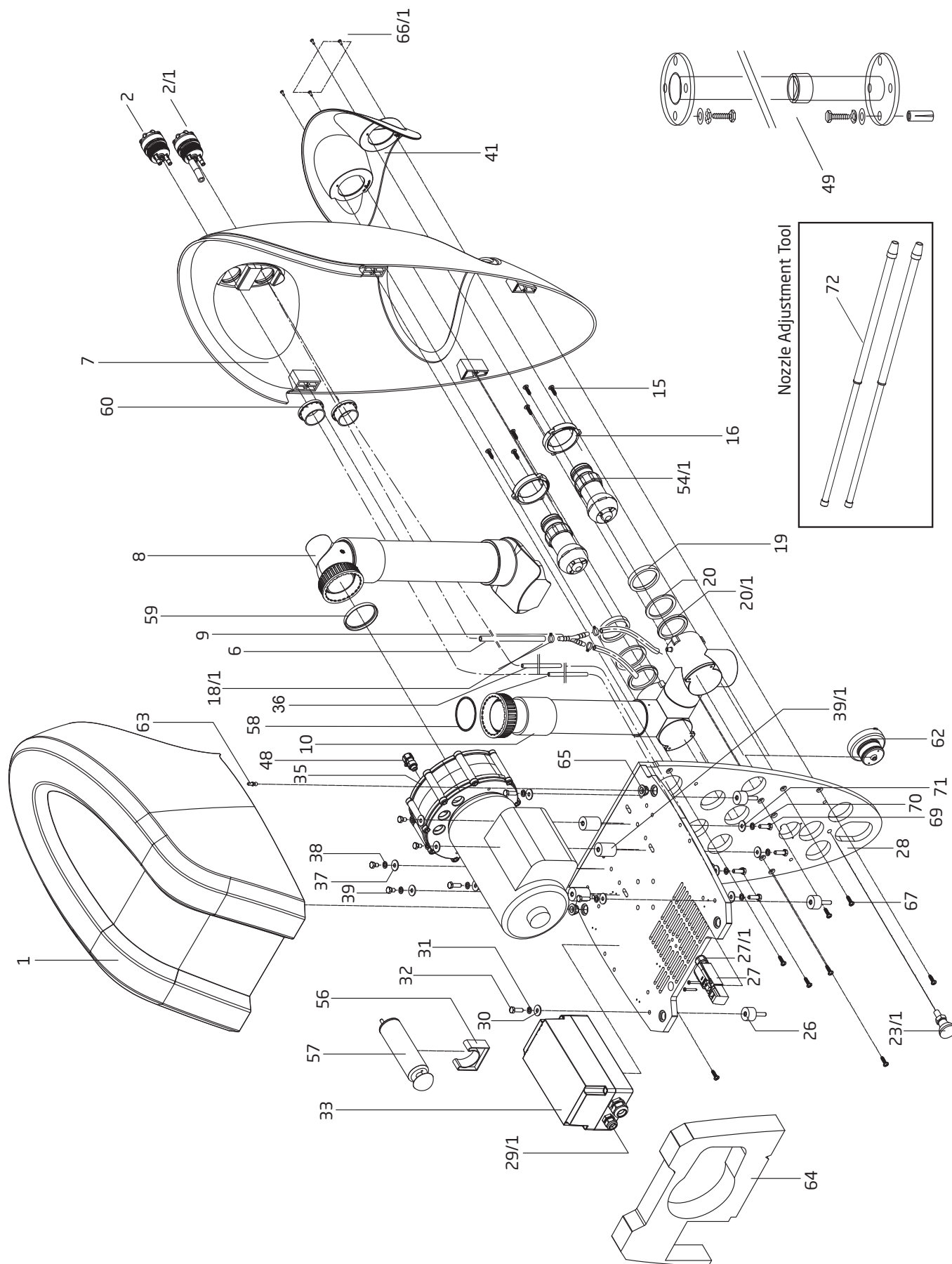


Order #	Drawing Number	Qty Required	Description	List Price
2319800922	1	1	TOP COVER CPL	\$ 414.30
2319800839	63	1	SNAPLOC COUPLING (MALE) - TOP COVER	2.60
2319800913	2	1	PNEUMATIC PUSH BUTTON CPL - LIGHT ON/OFF	39.90
2620000201	60	2	THREADED INSERT, 50mm x 1-1/2"	2.60
2319800912	2/1	1	PUSH BUTTON CPL - PUMP ON/OFF, AIR REGULATION	39.90
2301001007	6	1	HOSE, 8 x 3mm - AIR REGULATOR	7.90
2319800921	7	1	LOWER COVER	440.60
7319800906	8	1	SUCTION LINE CPL	66.70
2301001006	9	1	Y-BARB	5.70
2319800919	10	1	DISCHARGE LINE CPL	168.80
5879006023	15	1	SELF TAPPING SCREW - BALL NOZZLE FLANGE, 6 x 22mm A4	2.30
2319800817	16	2	NOZZLE FLANGE	11.50
2302002056	19	2	NOZZLE ADJUSTING SEAT RING	7.50
2302002058	20	4	NOZZLE SEAT GASKET - SPACER RING, 60 x 73.5 x 1mm	1.70
2319800924	20/1	2	DISC - SUPPORT	7.10
2302002854	54/1	2	BALL NOZZLE 40mm, ADJUSTABLE	28.00
2901141211	58	1	O-RING 68 x 3.5mm, DISCHARGE UNION-PUMP	2.50
2301001008	18/1	6	HOSE CLAMP, ADJUSTABLE 13.2-15.7mm	5.40
2307004003	23/1	1	POOL WALL ADJUSTING SCREW	23.60
2306006006	NOT SHOWN	4	POOL DECK ANCHOR M8	1.20
2306006005	26	4	RUBBER/METAL SPACER, M8 x 36mm	18.80
5880800420	NOT SHOWN	1	SAFETY SWITCH CPL ASSEMBLY	148.70
5880800418	27	1	SAFETY SWITCH	107.10
5880800419	NOT SHOWN	1	SAFETY KEY	41.50
2319800916	28	1	BASE PLATE CPL	54.50
5879021080	30	4	WASHER 8.4 x 24mm, A4	0.60
5876797080	31	4	LOCK WASHER 8.4mm, 316 SS	0.80
5879330825	32	4	HEX HEAD BOLT M8 x 25mm, 316 SS	3.10
2308700605	33	1	CONTROL BOX CPL	470.00
5882502014	27/1	1	STRAIN RELIEF (CABLE GLAND) M20 x 16 (1.5)	4.00
7300160017	NOT SHOWN	2	STRAIN RELIEF (CABLE GLAND) 3/8" NPT GRAY	4.10
7300160021	29/1	2	STRAIN RELIEF (CABLE GLAND) 1/2" NPT GRAY	5.20
7300160026	29/2	1	STRAIN RELIEF (CABLE GLAND) 3/4" NPT GRAY	7.80
2088331528	35	1	PUMP - MODEL 21-80/33 GI 4HP S.F. 1.25	2,429.00
2302080070	36	2	PVC HOSE WITH SOCKET	19.80
5871250800	37	4	WASHER 8.4mm, A4	0.60
5876797080	38	4	LOCK WASHER 8.4, 316 SS	0.80
2991000131	39	4	HEX HEAD BOLT M8 x 12mm, 316 SS	3.10
2306005041	39/1	4	RUBBER/METAL SPACER M8	22.70
2319800820	41	1	LIGHT COVER - DUO	54.80
5825002197	48	1	VENTILATING VALVE G 1/4	19.80
2319800807	56	1	HAND PUMP HOLDER BRACKET	2.60
2319800902	57	1	HAND VACUUM PUMP CPL	31.70
2319800850	59	1	GASKET 80 x 70.5 x 7.5mm NBR, UNION SUCTION	4.20
2319800862	62	1	LIGHT LED 12V AC - WHITE, 1M, VERSION A	118.60
2319800836	64	1	FOAM SEPARATION WALL - MOTOR	30.10
2319800840	65	2	SNAPLOC COUPLING PIN (FEMALE) - BASE	1.70
5879813513	66/1	4	SELF TAPPING SCREW - LIGHT COVER 3.5 x 13mm A4	0.80
5879006023	67	8	SELF TAPPING SCREW 6 x 22mm A4	2.40
5879330825	69	4	HEX HEAD BOLT M8 x 25mm 316 SS	3.10
5876797080	70	4	LOCK WASHER 8.4mm 316 SS	0.80
5879021080	71	4	WASHER 8.4 x 24mm A4	0.60
2991000003	NOT SHOWN	4	SCREW - CONTROL BOX MOUNT, #6-32 x 3/4"	0.20
2991000023	NOT SHOWN	2	SCREW - SAFETY SWITCH, #6-32 x 1-1/4"	0.30
2991400051	NOT SHOWN	1	CORD - 15' (10 GAUGE) W/ GFCI	607.00

**\*\*SEE NEXT PAGE FOR ADDITIONAL PARTS**

# BADU<sup>®</sup> JET Inspiration

## SwimJet System



# BADU<sup>®</sup>JET Inspiration

## SwimJet System



Order #	Drawing Number	Qty Required	Description	List Price
2923541220	NOT SHOWN	2	O-RING - CONTROL BOX, AIR SWITCH 12 x 2.5mm	\$ 0.60
7400000187	NOT SHOWN	2	AIR SWITCH - CONTROL BOX	18.70
7400000225	NOT SHOWN	1	TRANSFORMER - CONTROL BOX, 2,5, 12, 24V	82.10
7400000285	NOT SHOWN	1	CONTACTOR - CONTROL BOX, 30A 12 VAC	89.60

### Optional Parts

0319851000	49	1	TELESCOPIC SUPPORT, CPL (ABOVE GROUND POOL)	114.10
2319800861	62	1	LIGHT LED 12V AC - MULTICOLOR, 1M, VERSION A	120.70
2319007011	NOT SHOWN	1	ANGLE FITTING CPL - POOL WALL, ABOVE GROUND	12.70
2300003010	NOT SHOWN	1	MASSAGE HOSE 5 FT. WITH PULSATOR & HAND GRIP	181.60
2300003310	NOT SHOWN	1	MASSAGE HOSE 15 FT. WITH PULSATOR & HAND GRIP	286.80
2300022010	NOT SHOWN	1	CAP - NOZZLE & HAND GRIP, CLOSE OFF	68.60
2308799007	72	1	NOZZLE ADJUSTMENT TOOLS	48.00

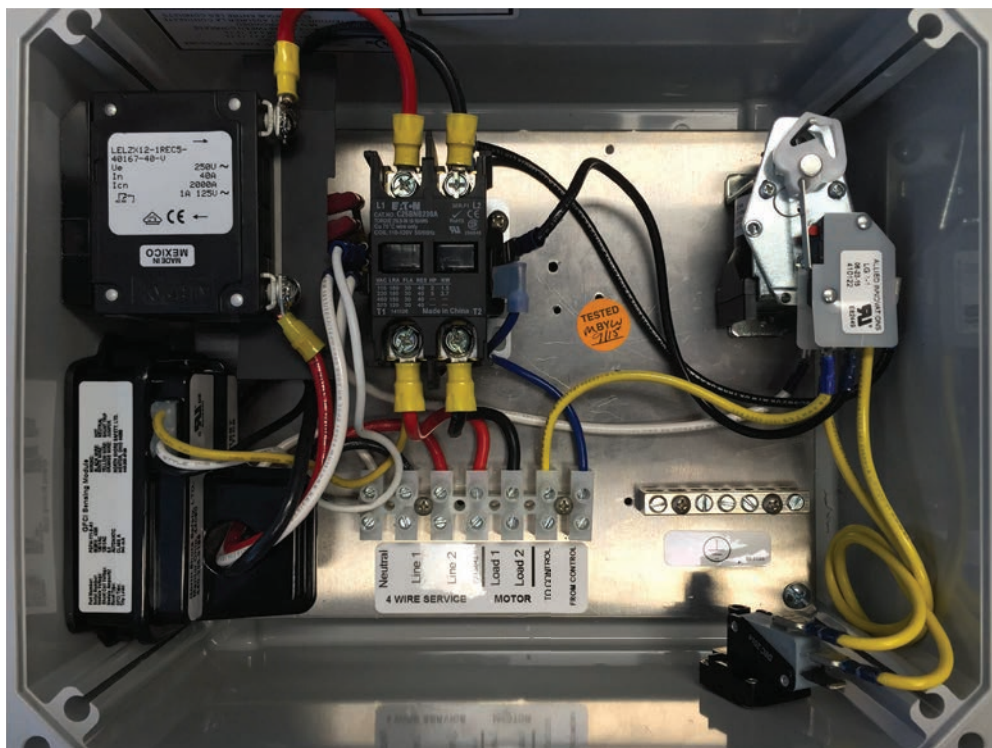
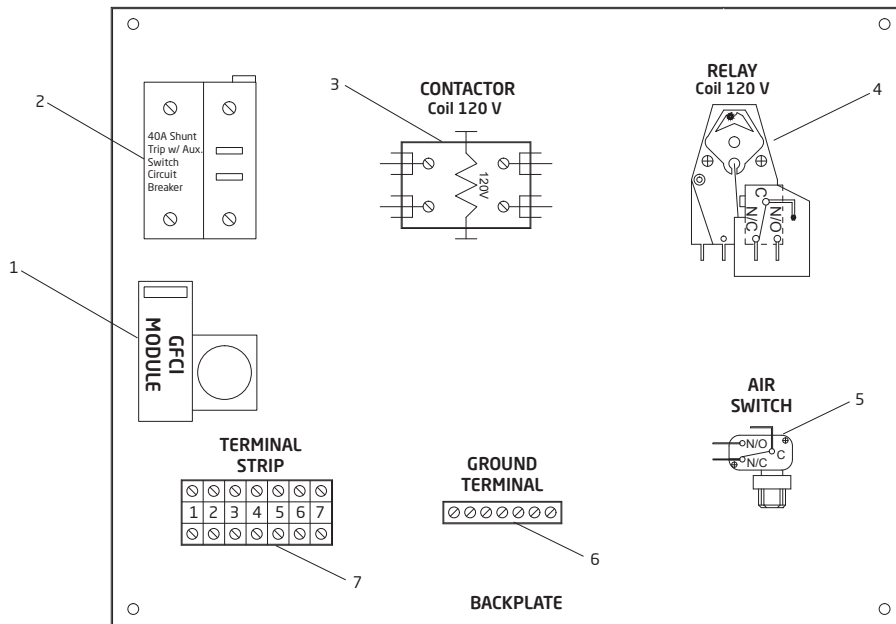
# MODEL BJC-7-GFCI+CP



## Control Box

Control Box for Badu®Jet Classic, Badu®Jet super-sport, & Badu®Stream II (packages A - C)

Order #	Drawing Number	Qty Required	Description	List Price
7400000294	1	1	SENSOR MODULE PANEL MOUNT	\$ 221.40
7400000293	2	1	CIRCUIT BREAKER GFCI	133.70
7400000102	3	1	CONTACTOR 2P 30A 120V COIL	114.10
7400000158	4	1	RELAY SPDT 120V S90R	96.10
7400000159	5	1	JAG 3 AIR SENSOR SPST	38.00
7400000156	6	1	NSI GROUND BAR 4-14726, 4-14 AWG	12.20
7400000096	7	1	NSI TERMINAL BLOCK ITB 35-12, 14-10 AWG	11.60
29202807281	1-7	1	INTERNALS - COMPLETE	717.00





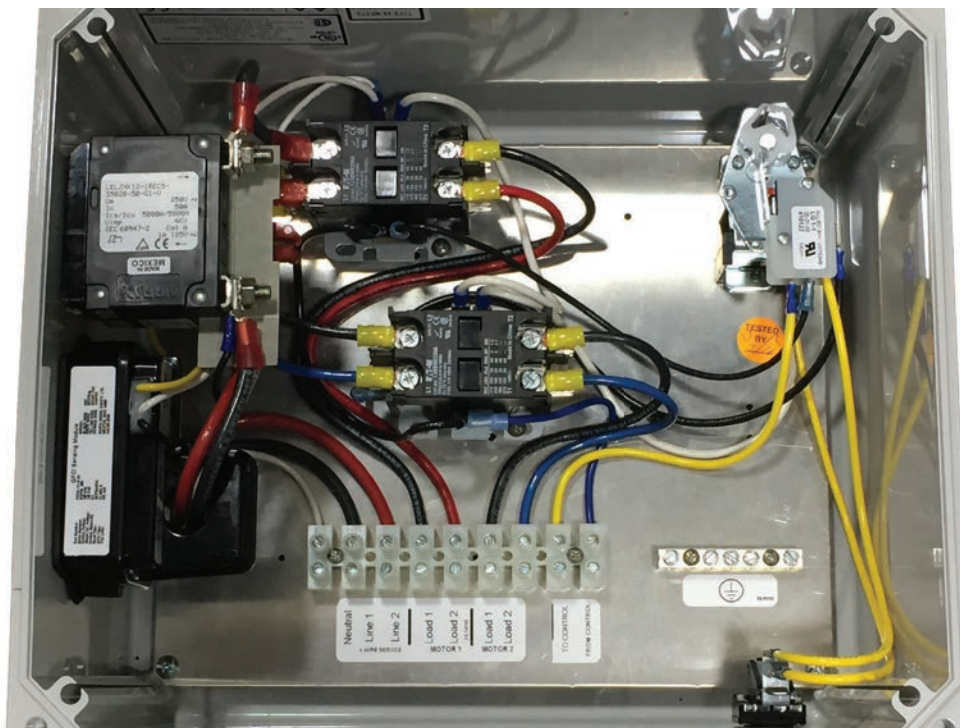
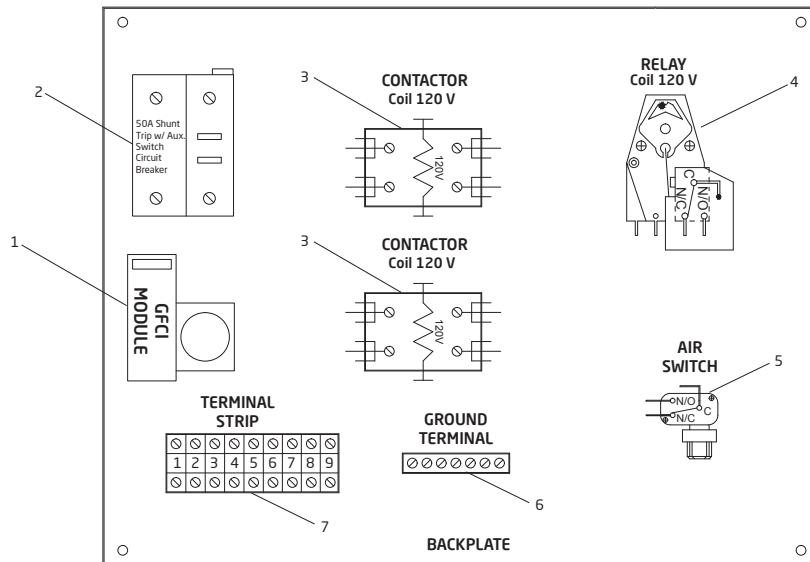
# MODEL BJC-7-GFCI-P2+CP

## Control Box



### Control Box for Badu®Stream II (Package D)

Order #	Drawing Number	Qty Required	Description	List Price
7400000294	1	1	SENSOR MODULE PANEL MOUNT	\$ 221.40
7400000296	2	1	CIRCUIT BREAKER GFCI 50A	124.30
7400000102	3	2	CONTACTOR 2P 30A 120V COIL	114.10
7400000158	4	1	RELAY SPDT 120V S90R	96.10
7400000159	5	1	JAG 3 AIR SENSOR SPST	38.00
7400000156	6	1	NSI GROUND BAR 4-14726, 4-14 AWG	12.20
7400000095	7	1	NSI TERMINAL BLOCK ITB 35-12, 16-8 AWG	20.40
29202807361	1-7	1	INTERNALS - COMPLETE	792.00



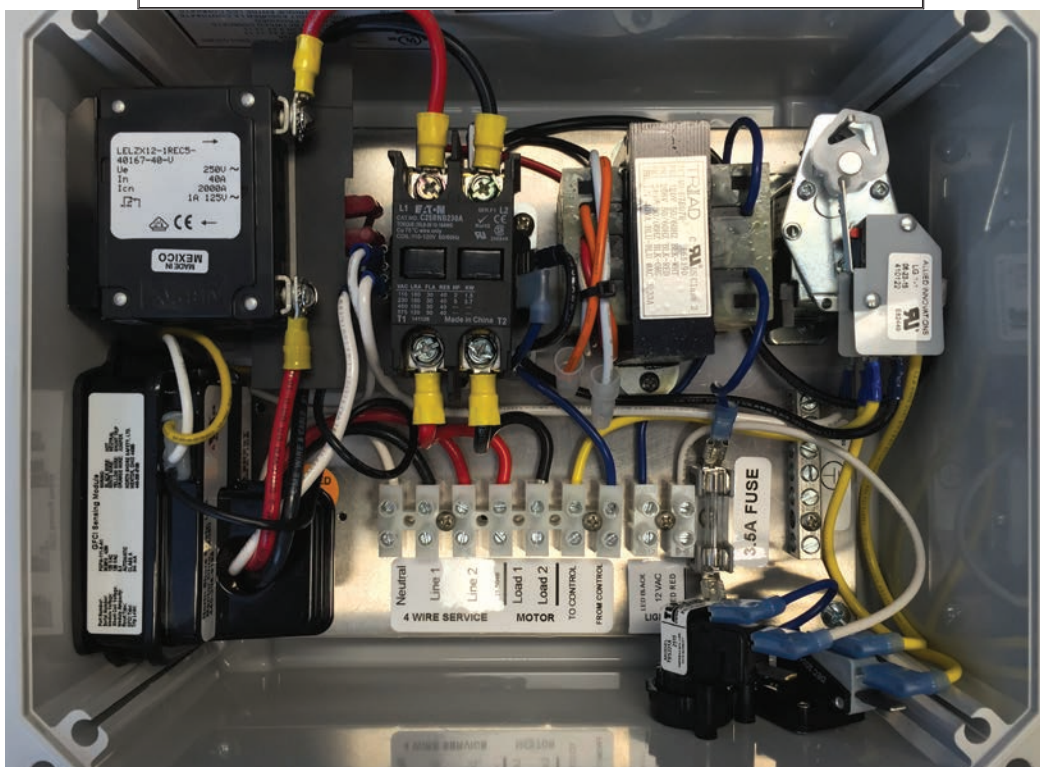
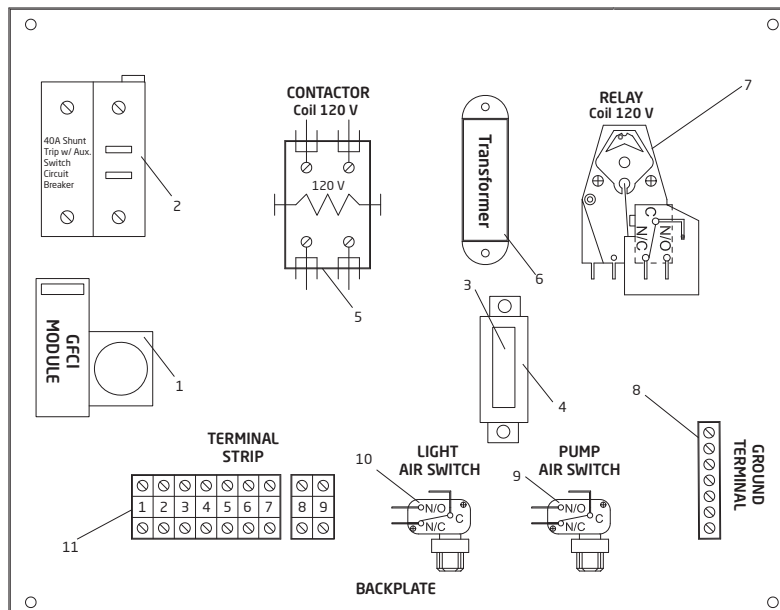
# MODEL BJC-7-GFCI+CP SSII

## Control Box



### Control Box for Badu®Jet super-sport II & Badu®Jet Imperial

Order #	Drawing Number	Qty Required	Description	List Price
7400000294	1	1	SENSOR MODULE PANEL MOUNT	\$ 221.40
7400000293	2	1	CIRCUIT BREAKER GFCI	133.70
7400000299	3	1	FUSE 3A 250V FA GLASS	3.00
7400000105	4	1	FUSE BLOCK 30A 300V FOR 3AG	35.00
7400000102	5	1	CONTACTOR 2P 30A 120V COIL	114.10
7400000298	6	1	TRIAD TRANSFORMER 40VA 12V	70.70
7400000158	7	1	RELAY SPDT 120V S90R	96.10
7400000156	8	1	NSI GROUND BAR 4-14726, 4-14 AWG	12.20
7400000159	9	1	JAG-3 AIR SENSOR SPST (PUMP)	38.00
7400000187	10	1	SWITCH - AIR (LIGHT)	18.70
7400000096	11	1	NSI TERMINAL STRIP ITB 35-12 14-10 AWG	11.60
29202807291	1 - 11	1	INTERNALS - COMPLETE	717.00



# REPLACEMENT MOTORS



## REPLACEMENT MOTORS FOR SPECK PUMP MODELS - EASYFIT, S90, 433, 72, & 98

Order #	MFR #	Model	THP	HP	S.F.	Volts	Frame	List Price
<b><i>SINGLE SPEED, Standard Efficient Max Rated, 56 Frame, C-Face, 7/16" Threaded Shaft</i></b>								
0817749000	EB227	-I	0.98	0.75	1.25	115/230	56	\$ 332.00
0817750000	EB228	-II	1.25	1.0	1.25	115/230	56	348.70
0817750100	EB229	-III	1.65	1.5	1.10	115/230	56	386.20
0817750200	EB230	-IV	2.25	2.0	1.10	115/230	56	425.40
<b><i>TWO SPEED, Premium Energy Efficient, 56 Frame, C-Face, 7/16" Threaded Shaft</i></b>								
B63GZABR1036	ASB2973H	-II	1.25	0.75	1.67	230	56	540.10
B63GZABS1037	ASB2975	-III	1.65	1.0	1.65	230	56	552.70
B63GZABT1038	ASB2977	-IV	2.25	1.5	1.47	230	56	597.50
B63GZABU1039	ASB2979	-V	2.60	2.0	1.30	230	56	756.40
<b><i>SINGLE SPEED, Premium Energy Efficient, 56 Frame, C-Face, 7/16" Threaded Shaft</i></b>								
0816529800	ASB657	-I	0.98	0.5	1.95	208-230/115	56j	346.70
0816511800	ASB638	-II	1.25	0.75	1.67	208-230/115	56j	372.40
0816512000	ASB654	-III	1.65	1.0	1.65	208-230/115	56j	422.20
0816512200	ASB796	-IV	2.25	1.5	1.50	208-230/115	56j	588.60
0816512400	ASB809	-V	2.60	2.0	1.30	208-230	56j	710.10
0816512600	ASB818	-VI	3.45	3.0	1.15	208-230	56j	875.10
<b><i>THREE PHASE, 56 Frame, C-Face, 7/16" Threaded Shaft, 50/60Hz Motor</i></b>								
0815176800	EH282	-I	0.80	0.50	1.60	208-230/460	56j	356.80
0815177000	EH451	-II	1.125	0.75	1.50	208-230/460	56j	425.20
0815177200	EH514	-III	1.40	1.0	1.40	208-230/460	56j	483.50
0815177400	EH617	-IV	1.95	1.5	1.30	208-230/460	56j	627.90
0815177600	EH705	-V	2.40	2.0	1.20	208-230/460	56j	696.60
0815177800	EH741	-VI	3.45	3.0	1.15	208-230/460	56j	833.50
<b><i>VARIABLE SPEED, 56 Frame, C-Face, 7/16" Threaded Shaft, 50/60Hz Motor</i></b>								
M48AA85A01		-III	1.65			208-230	56	742.00
M48AA69D29		-V	2.7			230	56	1,297.00
M48AA91D29		-VI	2.7 (w/ SVRS)			230	56	1,459.00

## REPLACEMENT MOTORS FOR SPECK PUMP MODELS - 21-80 BS, 21-80 G, 21-80 GS

Order #	MFR #	Model	HP	S.F.	Volts	Shaft	List Price
<b><i>SINGLE SPEED, E-Plus®/extreme-E™, 56 FRAME, C-FACE, PSC MOTOR</i></b>							
0817370201	B116	21-80/33	4.0	1.25	208-230	THR. M12	\$ 1,313.50
K63AVDGN5174	ASB116	21-80/33	4.0	1.25	208-230	THR. M12	1,313.50
0818430000	184300	21-80/34	6.0	1.0	208-230	THR. M12	1,535.40
<b><i>THREE PHASE, E-Plus®/extreme-E™, 56 FRAME, C-FACE, PSC MOTOR</i></b>							
0818102500	181025	21-80/33	4.0	1.25	208-230/460	THR. M12	1,365.40
0818616400	186164	21-80/34	6.0	1.0	208-230/460	THR. M12	1,335.80

# Important Information





---

Minimum Advertised Price Policy	157
Terms and Conditions	158

---

## Minimum Advertised Price Policy

In order to preserve its reputation for providing customers with high value products and strong after-sales, installation and warranty support, in the interests of public health and safety and to further enhance its brand image and its competitiveness in the marketplace, Speck Pumps-Pool Products, Inc. ("Speck") is unilaterally instituting a policy of minimum advertised price standards for its products (the "Policy"). This Policy is effective as of the Effective Date set forth above and applies to all distributors, advertisers, retailers, sellers and resellers who sell, offer for sale, advertise or market any Speck products to purchasers located in the United States including, without limitation, catalog, telephone, electronic and internet retailers (collectively, "Resellers").

Speck greatly values the efforts of all Resellers to distribute Speck products and support our customers. This Policy is adopted for the benefit of all Resellers and is intended to: (1) protect Reseller margins so that desirable pre-sales and post-sales services and infrastructure can be provided by Speck; (2) support Speck products as a premium offering; (3) protect the value of Speck's brand, trademark and trade name; and (4) protect and maintain the integrity and brand equity of Speck by emphasizing the value and quality of Speck products through advertising and marketing.

Speck's Policy is as follows:

1. **Advertising Restrictions.** This Policy applies to all forms of advertising, marketing, sales and offers for sale of any kind or nature including, without limitation, each of the following:

- (a) Websites of Internet only retailers;
- (b) Websites of traditional retailers, distributors and mail order businesses;
- (c) Internet search engines or portals, whether or not the website from which the information is drawn is in compliance with this Policy;
- (d) Internet auction websites that offer for sale, whether by the website or a third party user;
- (e) Shopping search engines that compare prices across retailers or websites, whether or not the website from which the information is drawn is in compliance with this Policy;
- (f) Banners placed on any website;
- (g) Newspapers, magazines, brochures, pamphlets, inserts, price lists, price comparisons, catalogs, or any other print or electronic media;
- (h) Any AM/FM radio, satellite radio, television, or social media; and
- (i) Direct mail.

Any offer for sale, advertisement or marketing of a Speck product must include the model name and a price at or above the Minimum Advertised Price set forth in section 4 below. At no time will any Reseller make any statement or indication that states or implies a lower price may be found on the Internet upon click through. Prohibited language includes, but is not limited to, language in the nature of "click here for lower price," "add to cart for lower price," "check cart for best price," "email for best price," "call for lower price" or other words of similar implication and effect. This Policy does not in any way limit the ability of any dealer to advertise that "they have the lowest prices" or, they "will meet or beat any competitors price", that consumers should "call for a price" or phrases of similar import as long as the Reseller is otherwise in compliance with this Policy.

2. **Prohibited Use of Trademarks.** The use of any of trademarks, service marks, names, logos or other intellectual property of Speck or Speck's products is expressly prohibited unless otherwise expressly agreed in writing by Speck. The use of any photographs, product descriptions, product logos and related copyright and trademark and trade dress rights is strictly prohibited. However, when such uses are expressly authorized in writing by Speck, such uses must promote Speck products at a price at or above the Minimum Advertised Price set forth in section 4 below.

3. **Unilateral Action.** Speck does not solicit, nor will it accept or discuss, any assurance of compliance or agreement from a Reseller regarding this Policy or any conditions of acceptance related to this Policy. This Policy is non-negotiable. Nothing in this Policy or in any other contract or agreement between Speck and any Reseller is intended to be, nor shall be construed as, an agreement between Speck and any Reseller as to the minimum prices at which the Reseller shall advertise, market, offer for sale or resell any Speck product. The only Speck representatives authorized to address or discuss this Policy is the following (the "Authorized Speck Representative"): (Jan Baljon & Joseph Valentino, 8125 Bayberry Road, Jacksonville FL 32256, 904-739-2626)





## Minimum Advertised Price Policy - continued

4. **Minimum Advertised Price.** Nothing in this Policy prohibits or restricts, and Resellers remain free, to establish their own, independent resale prices for Speck products. This Policy does not establish maximum advertised prices and Resellers may offer Speck products at any price in excess of the Minimum Advertised Price set forth in this section 4. This Policy does not apply to the price at which Speck products are actually sold or offered for sale to an individual consumer within the Resellers retail location or over the telephone. Speck will, without assuming any liability, unilaterally impose sanctions against Resellers who sell, offer for sale, market or advertise any Speck product at a price below the Minimum Advertised Price specified in this section 4 or who otherwise violate this Policy. For purposes of this Policy, the "Minimum Advertised Price" for each Speck product is the published list price minus 20%.

5. **No Bundling.** Unless otherwise authorized in writing by Speck, each Speck product may be sold, offered for sale, marketed or advertised only as a stand-alone product without any promotional allowances, rebates, credits, free premiums, reward program offerings or other direct or indirect discounts or benefits. Any offer for sale, advertisement or marketing of any Speck products as free goods or in connection with bundles or volume discounts where the per-unit price of any Speck product is below the Minimum Advertised Price is a violation of this Policy.

6. **Monitoring and Reporting.** Speck may engage in the monitoring and compliance of its Policy and the sale and offer for sale of Speck products, either directly or via the use of third party monitors. Third party monitors retained by Speck may engage in the monitoring of Resellers' advertisements, marketing, sales and offers for sale including, but not limited to, the monitoring of advertised prices.

7. **Sanctions.** Each instance of an advertisement, sale, offer for sale, marketing or other activity that includes any pricing of Speck products below the Minimum Advertised Price set forth in section 4 above constitutes a violation of this Policy. Upon any violation of this Policy Speck may, in its sole and absolute discretion, take any action that it deems necessary or appropriate including, without limitation:

- (a) Refusing to provide Speck products to the Reseller or the Reseller's distributor(s);
- (b) Immediately cancel all orders from the Reseller and refuse to accept new orders for a period of 120 days; and/or
- (c) Refuse to accept new orders from the Reseller.

8. **Confidentiality.** The contents of this Policy are the sole property of Speck and may not be copied, reprinted, reproduced or otherwise distributed without the express written consent of the Authorized Speck Representative.

9. **Modification.** Speck reserves the right to modify, suspend or discontinue this Policy in whole or in part or to designate promotional periods during which the terms of this Policy are, in whole or in part, not applicable. Changes to this Policy will be made available on Speck's website at [www.speck-pumps.com](http://www.speck-pumps.com).

10. **Governing Law.** This Policy shall be governed by the laws of the State of Florida.

11. **No Contract.** This Policy does not constitute a legally binding agreement between Speck and any Reseller or any other party or third party. Rather, this Policy states Speck's policy as to the matters set forth herein and Speck has the right to take action hereunder in its sole and absolute discretion.

## Terms and Conditions

**Binding Agreement:** This Agreement constitutes a legal binding agreement between Speck Pumps and Buyer and is a complete and exclusive statement of the agreement which alone, fully and completely expresses the entire agreement between them and merges herein and supersedes all other agreements, discussion, understandings, proposals and all other communications between the parties, whether oral or written, relating to the subject matter of this Agreement. Any invoices, bills of lading, and other documents and instruments of either Speck Pumps or Buyer accompanying this Agreement or any communications, payments, demands or shipments hereunder is for the issuing party's internal use only and its terms shall not affect this Agreement, the parties agree that all such documents and instruments are expressly rejected, are of no force or effect and will be disregarded.

**Terms, Payment and Pricing:** Payments are to be made in U.S. funds. Any and all federal, state and local sales, use or personal property taxes assessed against the goods will be paid by the Buyer. All prices are subject to change without notice. Unless otherwise specified, all payments are due within 30 days from date of shipment. Speck Pumps reserves the right at any time to suspend or change credit terms or to require full or partial payment in advance if in Speck Pumps sole opinion the financial condition of the Buyer so warrants. TIME IS OF THE ESSENCE WITH RESPECT TO ALL PAYMENTS OWED OR DUE TO SPECK PUMPS. All past due and unpaid amounts shall accrue interest at the rate of 1.5% per month or the highest rate permitted by law, if less. Shipments to delinquent accounts, as well as new accounts, will be C.O.D. until credit is established. Speck Pumps accepts major charge cards and will accept them as payment for any current invoice. A cash discount offered for prompt payment may not be claimed if paying with a credit card. If a credit card is presented for payment of a delinquent amount or invoice, Speck Pumps will apply a 2.5% processing charge to the amount paid. Some states do not allow a seller to impose a surcharge on the buyer for electing to use a credit card in lieu of payment by cash, check or similar means; as such, the 2.5% processing charge described above may not apply to you. Orders less than \$25.00 are subject to a \$10.00 handling charge. In the event Speck Pumps brings any claim, demand, lawsuit or other proceeding to collect on any amounts due under this Agreement, the prevailing party shall receive from the other party its reasonable attorney's fees, costs and expenses incurred with respect to Speck Pumps' claim.

**Shipping & Acceptance:** All prices are F.O.B. Speck Pumps' warehouse unless otherwise stated, at which time and place title, risk of loss and possession will transfer to the Buyer. Method and route of shipment is at Speck Pumps' discretion unless Buyer supplies explicit instructions otherwise. Buyer shall be responsible for all shipping, handling, insurance, customs, duties and import fees, tariffs and taxes, and all other similar costs and charges. Speck Pumps reserves the right to pass any additional shipping expenses incurred from Buyers shipping instructions to the Buyer. All claims for loss, damage, or delay against the carrier must be made by the Buyer. Buyer agrees to inspect all goods upon delivery and report any shortages in writing within 10 days of receipt; otherwise, all such goods shall be deemed accepted by Buyer.

**Returns:** A return merchandise authorization (RMA) must be obtained from Speck Pumps before returning any merchandise. Merchandise returned without an RMA will be refused. All returned merchandise is to be sent freight prepaid and insured for Buyer's protection. All returns are subject to a 25% restocking charge. Under no condition will merchandise be accepted after 12 months. Any custom or special order merchandise cannot be returned for any reason.



## Terms and Conditions - continued

**Limited Warranty:** Speck Pumps grants solely to Buyer for a limited period of one (1) year from the date of shipment the following non-transferable limited warranty ("Limited Warranty"): that the goods shipped under the invoice attached to these Terms and Conditions will be free of material defects in manufacture under normal use. IN THE EVENT OF A BREACH OF THE LIMITED WARRANTY, SPECK PUMPS ENTIRE OBLIGATION AND LIABILITY TO BUYER, AND BUYER'S SOLE AND EXCLUSIVE REMEDY SHALL BE AS FOLLOWS: Speck Pumps will, at its option, repair or replace any such defective goods, or refund to Buyer the purchase price paid for such defective goods. The foregoing Limited Warranty is expressly conditioned upon the following: (aa) Buyer giving notice of the claim within the one year period of the Limited Warranty; (bb) the goods were installed by a pool industry professional and a licensed electrician; (cc) the goods have not been abused, misused, or modified and were operated in accordance with Speck Pumps' instructions and operator/maintenance manuals delivered with the goods. SPECK PUMPS EXPRESSLY DISCLAIMS AND THE LIMITED WARRANTY DOES NOT INCLUDE OR COVER ANY LABOR PERFORMED IN CONNECTION WITH REMOVAL, REPLACEMENT OR INSTALLATION OF REPAIRED OR REPLACED PARTS OR FOR ANY OTHER COSTS, EXPENSES OR INJURIES OR DAMAGES TO PERSONS (INCLUDING DEATH) OR TO PROPERTY OR THINGS INCLUDING BUT NOT LIMITED TO THOSE ARISING FROM LOSS OF PROFITS, PRODUCTION, INCREASED COST OF OPERATION, OR SPOILAGE OF MATERIAL ARISING IN CONNECTION WITH THE SALE OR USE OF, OR INABILITY TO USE ANY GOODS. OTHER THAN THE LIMITED WARRANTY EXPRESSLY SET FORTH IN THIS SECTION 5, SPECK PUMPS DOES NOT MAKE ANY EXPRESS OR IMPLIED WARRANTIES, CONDITIONS, OR REPRESENTATIONS TO BUYER OR ANY OTHER PARTY WITH RESPECT TO ANY GOODS OR SERVICES PROVIDED HEREUNDER OR OTHERWISE REGARDING THIS AGREEMENT, WHETHER ORAL OR WRITTEN, EXPRESS, IMPLIED OR STATUTORY. WITHOUT LIMITING THE FOREGOING, ANY IMPLIED WARRANTY OR CONDITION OF MERCHANTABILITY, THE IMPLIED WARRANTY AGAINST INFRINGEMENT, AND THE IMPLIED WARRANTY OR CONDITION OF FITNESS FOR A PARTICULAR PURPOSE ARE EXPRESSLY EXCLUDED AND DISCLAIMED.

**Limitation of Liability and Damages:** BUYER AGREES THAT IN NO EVENT SHALL SPECK PUMPS OR ITS OFFICERS, DIRECTORS, EMPLOYEES, SHAREHOLDERS, AGENTS, OR REPRESENTATIVES BE LIABLE TO BUYER FOR ANY SPECIAL, INDIRECT, INCIDENTAL, EXEMPLARY OR CONSEQUENTIAL DAMAGES OR LOSS OF GOODWILL IN ANY WAY RELATING TO THE GOODS OR SERVICES PROVIDED UNDER THIS AGREEMENT, OR THIS AGREEMENT, OR RESULTING FROM THE USE OF OR INABILITY TO USE THE GOODS OR THE PERFORMANCE OR NON-PERFORMANCE OF ANY OBLIGATION UNDER THIS AGREEMENT. IN NO EVENT SHALL SPECK PUMPS BE LIABLE TO BUYER FOR A MONETARY AMOUNT GREATER THAN THE TOTAL AMOUNT ACTUALLY PAID BY BUYER TO SPECK PUMPS FOR THE GOODS GIVING RISE TO SUCH LIABILITY. THIS SECTION AND THE SOLE AND EXCLUSIVE REMEDIES SET FORTH IN SECTION 5 ABOVE, SHALL APPLY EVEN IF SPECK PUMPS HAS BEEN NOTIFIED OF THE POSSIBILITY OR LIKELIHOOD OF SUCH DAMAGES OCCURRING, WHETHER SUCH LIABILITY IS BASED ON CONTRACT, TORT, NEGLIGENCE, STRICT LIABILITY, PRODUCTS LIABILITY OR OTHERWISE, AND EVEN IF ANY REMEDY STATED HEREIN FAILS OF ITS ESSENTIAL PURPOSE.

**Restrictions on resale:** The sale of any of Speck Pumps' products is subject to its Minimum Advertised Price Policy ("MAP"). Speck Pumps expressly prohibits any distributor or dealer classified as a Speck Pumps Authorized Distributor or Authorized Dealer from selling, or otherwise making available, any Speck Pumps product to any distributor, dealer, retailer, wholesaler or reseller that the Authorized Distributor or Authorized Dealer knows, should know, or reasonably suspects sells, offers for sale or advertises any Speck Pumps product via the Internet or in violation of the MAP. A copy of the MAP is available upon request to Speck Pumps at any time. Any violation of the MAP or of this provision by a Speck Pumps Authorized Distributor or Authorized Dealer shall be deemed a breach of this Agreement and may result in Speck Pumps, in its sole discretion: (a) terminating, suspending or removing the Authorized Distributor's or Authorized Dealer's status as a Speck Pumps Authorized Dealer or Authorized Distributor; (b) temporarily or permanently discontinuing its supply of Speck Pumps products; (c) pursuing any other remedy available at law; or (d) taking any other actions that Speck Pumps deems appropriate.

**Notice:** Any notice required by the terms of the Agreement to be given by one party to the other shall be deemed to be sufficiently given if delivered or sent by overnight delivery or if personally delivered to the intended recipient at the address set forth on the Invoice and if so sent shall be deemed to have been received when actually delivered.

**Governing Law, Jurisdiction and Venue:** This Agreement shall be governed, construed and interpreted in accordance with the laws of the State of Florida. Any dispute, controversy or claim arising out of or relating to this Agreement shall exclusively be brought in any court of competent jurisdiction which is located within the State of Florida, County of Duval, Jacksonville, Florida.

**Severability:** Whenever possible, each provision of the Agreement shall be interpreted in such a manner as to be effective and valid under applicable law, including the reduction in scope of such provision by a court of competent jurisdiction as is reasonable for its enforceability. However, if any provision of the Agreement or the application of any provision to any party or circumstance shall be prohibited by or invalid under applicable law, such provision shall be severed and ineffective to the extent of such prohibition or invalidity without it invalidating the remainder of the provisions of the Agreement or the application of the provision to the other parties or circumstance.

**Modification, Waiver and Assignment:** Any modification of any term or condition of the Agreement or waiver of any breach thereof shall be effective only if in writing and signed by authorized representatives of both parties. No other act, usage, or custom shall be deemed to modify the Agreement. In no event shall any waiver constitute a waiver as to any other breach, whether similar or dissimilar in nature, or prevent the exercise of any right under the Agreement. The Agreement shall be binding upon the parties hereto and their Affiliates and successor entities. This Agreement is personal to Buyer and may not be assigned by the Buyer.

**Interpretation:** Should any provision of the Agreement require interpretation, the person interpreting or construing the Agreement shall not apply a presumption that the terms hereof shall be more strictly construed against one party by reason of the rule of construction that the document is to be construed more strictly against the party who itself or through its agents prepared the document. The headings and titles to the sections of the Agreement are inserted for convenience only and shall not be deemed a part of, or affect the construction or interpretation of, the provisions of the Agreement.

**Force Majeure:** Speck Pumps shall not be liable to Buyer for any breach, loss or damage suffered by Buyer directly or indirectly, as a result of any failure or delay resulting from any fire, flood, natural disaster, labor trouble (including without limitation strike, slowdown and lockout), war, riot, civil disorder, embargo, terrorism, government regulations or restrictions of any and all kinds, expropriation of plant by federal or state authority, interruption of or delay in transportation, power failure, inability to obtain materials and supplies, accident, explosion, act of God or other causes of like or different character beyond Speck Pumps' control and the time for delivery specified herein shall be extended during the continuance of such conditions and for a reasonable time thereafter.

**Relationship of the Parties:** The Agreement is not intended to be nor shall it be construed as a joint venture, association, franchise, partnership, or other form of a business organization or agency relationship.



# Innovation & Service for over 100 years.



**SPECK**   
pumps

8125 Bayberry Road  
Jacksonville, FL 32256 USA  
info.usa@speck-pumps.com  
www.speck-pumps.com  
www.badujet.com

Toll Free 800.223.8538  
Telephone 904.739.2626  
Facsimile 904.737.5261

