

# BADU<sup>®</sup> EcoM3-Variable



## Variable Speed Pump

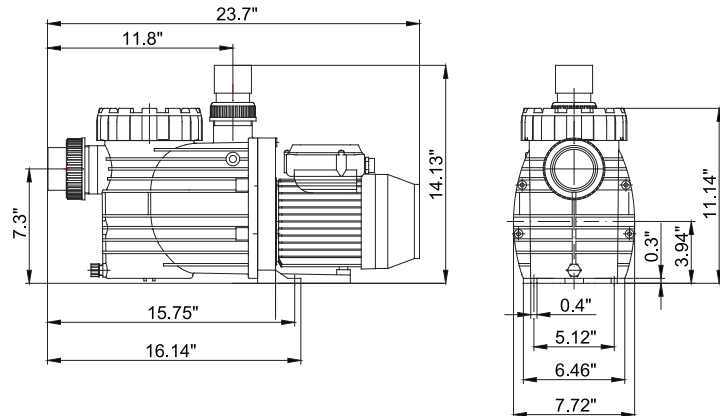
The Badu EcoM3 V is another example of Speck Pumps innovations to meet energy and environmental challenges. The Badu EcoM3 V uses a state of the art permanent magnet brushless DC motor controlled by advance logic electronics. This technology reduces operating cost up to 80%, lowers energy usage, and reduces noise. Perfect for most residential pools ranging from 10,000 to 25,000 gallons. The Badu EcoM3 V continues to set standards for the future by using 100% recyclable “environment friendly” plastics.



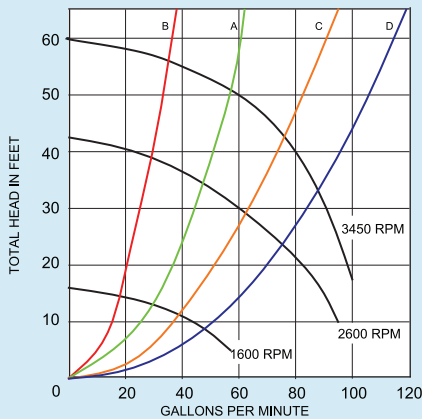
Badu EcoM3 V

### features

- Variable speed control, ranging from 1000 to 3450 RPM. After priming the pump defaults to the lowest set speed. Factory Low defaults to 1600 RPM.
- This high performance, medium head pump comes complete with our unique mechanical shaft seal that allows the pump, if mistreated, to run dry for up to one hour.
- The pump can be used for pool water with a salt concentration of up to 5000 ppm.
- Pump parts are made of 100% recyclable plastic. Non-corrosive, chemical/UV resistant, and can withstand temperatures of up to 175° F.
- Totally enclosed fan cooled maintenance-free permanent magnet brushless DC motor with Class F insulation.
- For pool users’ safety, the impeller has a dielectric shaft sleeve that provides absolute separation between pool water and electric parts.
- Specially constructed clear lid with ring lock design is easy to open. Large strainer basket is always locked in place.
- Pump comes equipped with 2” suction and 1½”/2” discharge unions ensuring optimum efficiency.
- **OPTIONAL Remote Controller:** Badu Eco Touch controllers. Can also be used with most other 3rd party electronic controllers.
- Three/Two year warranty on the motor and all pump parts, including normal wear of the mechanical seal.
- Every pump is performance tested before leaving the Speck factory.



### Badu<sup>®</sup> EcoM3 V PERFORMANCE CURVE



B, A, C, and D represent average system curves for pools with the pipe diameter mentioned below.

B = 1 ½" Pipe      C = 2 ½" Pipe  
A = 2" Pipe        D = 3" Pipe

### Badu<sup>®</sup> EcoM3 V TECHNICAL DATA

SPEED	RPM	POWER CONSUMPTION MAX
HIGH	2850 - 3450	700 - 1250 W
MEDIUM	1800 - 2800	210 - 670 W
LOW	1000 - 1725	65 - 200 W

Currently available in 1.0 HP 208-230 Volts.

Shipping weight 25 lbs.